



ZDVRB3622

ZERO CLEARANCE **DIRECT VENT** LINEAR GAS FIREPLACE



The Ultimate in Design, Engineering & Quality

This unit illustrated is a ZDVRB3622N Zero Clearance Direct Vent Natural Gas Linear Fireplace, with Decorative Bronze Glass, Z36CVCK Designer Clean View Circulating Kit, Z3622PRL Porcelain Reflective Liner and optional ULK2 Universal Light Kit.

The Ultimate in Zero Clearance Direct Vent Fireplaces for New Home Construction or Renovation

YOUR BEST CHOICE FOR INSTALLATION ANYWHERE THROUGHOUT YOUR HOME.

MODEL	ZDVRB3622N/ZDV3622NE	ZDVRB3622LP/ZDVRB3622LPE
FUEL	NATURAL	PROPANE
INPUT MAX.	17,500	17,500
INPUT MIN.	12,000	14,000
FE (P.4.1-02)	63.8%/68.3%	63.8%/68.3%

FEATURES*

- Hi/Low Millivolt or IPI valve system will operate during power failures.
- Decorative Bronze Glass
- Mobile Home, Bedroom and Bed Sitting Room approved

OPTIONAL FEATURES

Designer Clean View Circulating Kit – No louvers required

Decorative Louvers – Grills available in Black, and Classic Series Black with Antique, Chrome, or Polish Brass accents

Surrounds Wide – Polish Brass, Antique, Chrome or Black Coverage – 34¹/₄" h x 41¹/₈" w (*louvered units only*)

Surrounds Slim Line – Gun Metal Black Coverage – 34¹/₄" h x 37¹/₂" w (*louvered units only*)

Picture Frame Surround – Black or Chrome Coverage – 37¹/₂" h x 41¹/₈" w (*louvered units only*)

Fan Kit – Heat activated with variable speed control

Wall Mount Thermostat – Standard on/off or Programmable 5 day (weekday) and 2 day (weekend)

Remote Control – On/OFF, Thermostat on/off, Thermostat on/off modulating, Thermostat on/off modulating and fan control.

Child Safety Screen

Porcelain Reflective Liner

Metal Brick Liner

Universal Light Kit – Two Lamps

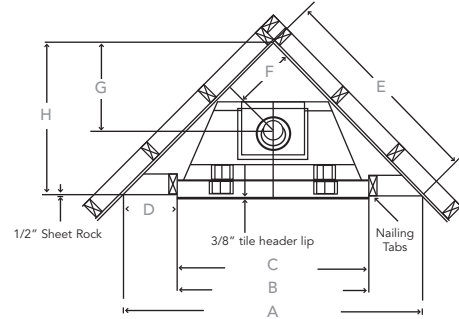


This unit illustrated is a ZDVRB3622N Zero Clearance Direct Vent Natural Gas Linear Fireplace, with Decorative Bronze Glass, Z36GBC Grill Kit – Classic Chrome, Z3622PRL Porcelain Reflective Liner, Z36SBLPF Surround Picture Frame – Black and optional ULK2 Universal Light Kit



CORNER FRAMING DIMENSIONS (INCHES)

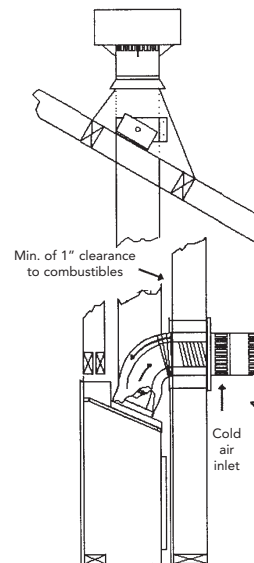
	A	B	C	D	E	F	G	H
LOUVERED	50 ¹⁵ / ₁₆ "	36 ³ / ₈ "	36"	7 ⁵ / ₁₆ "	36"	11"	15 ¹ / ₄ "	25 ¹ / ₂ "
CLEAN VIEW CIRCULATING KIT (CVCK)	56"	38 ⁷ / ₁₆ "	38 ¹ / ₁₆ "	8 ³ / ₄ "	39 ⁵ / ₈ "	11"	15 ⁵ / ₈ "	28"



UNIT AND FRAMING SPECIFICATIONS (INCHES)

TOP FLUE MODELS	Height		Front Width		Depth	
	Actual	Framing	Actual	Framing	Actual	Framing
LOUVERS	33 ¹ / ₂ "	34"	36"	36 ³ / ₈ "	15 ¹ / ₁₆ "	15 ¹ / ₄ "
CLEAN VIEW CIRCULATING KIT (CVCK)	33 ³ / ₄ "	36 ³ / ₄ "	38 ¹ / ₁₆ "	38 ⁷ / ₁₆ "	18 ¹ / ₁₆ "	17 ³ / ₄ "

Vertical flue option #1



Horizontal flue option #2

TOP FLUE MODELS	Width	Height
VIEWING AREA	29 ³ / ₄ "	16 ¹ / ₈ "



Kingsman Fireplaces maintains a program of continuous testing, refinement and improvements of all its products. Some aspect of units shown here may be changed at any time without notice or obligation.

Certification: The models ZDVRB3622/ZDVRB3622LP are certified to ANSI Z21.50b-2009/CSA 2.22b-2009, CGA 2.17-M91 vented gas fireplace. The models ZDVRB3622NE/ZDVRB3622LPE are certified to ANSI Z21.88-2009, CSA2.33-2008, CGA 2.17-M91 vented gas fireplace heater.

*Components may have to be ordered separately to create a complete unit. Discuss with your local Kingsman dealer for clarification.



2340 Logan Avenue
Winnipeg, Manitoba, Canada R2R 2V3
Phone: (204) 632-1962 Fax: (204) 632-1960
www.kingsmanfireplaces.com