



Air Conditioning & Heating

COOLING CAPACITY: 18,000 TO 60,000 BTU/H

HEATING CAPACITY: 18,000 TO 60,000 BTU/H



GSZ14

ENERGY-EFFICIENT

SPLIT SYSTEM HEAT PUMP

UP TO 15 SEER & 9.0 HSPF

1½ TO 5 TONS

Contents

Nomenclature.....	2
Product Specifications.....	3
Expanded Cooling Data.....	4
Expanded Heating Data.....	20
Performance Data.....	22
AHRI Ratings.....	24
Wiring Diagram.....	41
Dimensions.....	40
Accessories.....	40

Standard Features

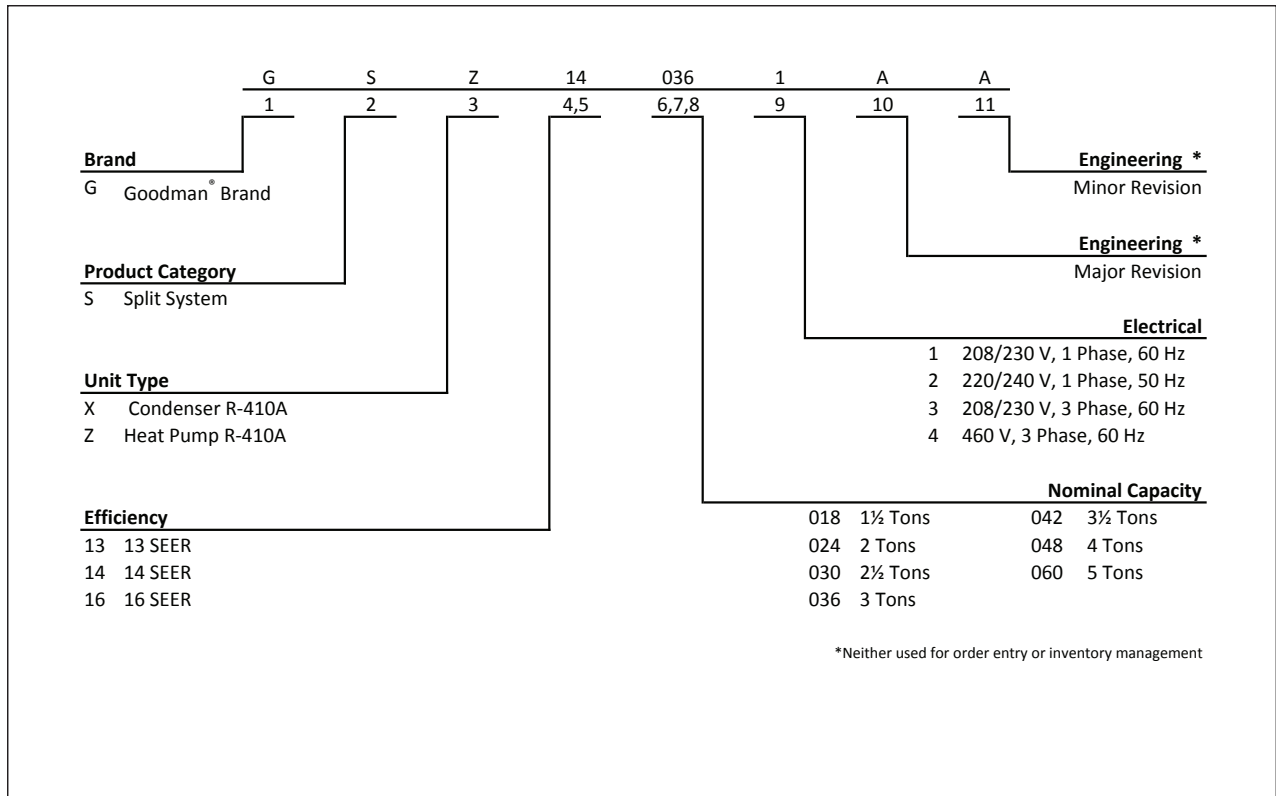
- Energy-efficient scroll compressor
- SmartShift® technology to ensure quiet reliable defrost
- Factory-installed bi-flow liquid-line filter drier
- Factory-installed suction-line accumulator
- Factory-installed compressor crankcase heater
- Factory-installed high-capacity muffler
- High- and low-pressure switches
- Service valves with sweat connections and easy access to gauge ports
- Copper tube/enhanced aluminum fin coil
- Fully charged for 15' of tubing length
- Contactor with lug connection
- Ground lug connection
- AHRI Certified; ETL Listed

Cabinet Features

- Goodman® brand sound control top design
- Steel louver coil guard
- Heavy-gauge galvanized-steel cabinet
- Attractive Architectural Gray powder-paint finish with 500-hour salt-spray approval
- Top and side maintenance access
- Service ports and controls are accessible while unit is operating
- When properly anchored, meets the 2010 Florida Building Code unit integrity requirements for hurricane-type winds (Anchor bracket kits available.)



* Complete warranty details available from your local dealer or at www.goodmanmfg.com. To receive the 10-Year Parts Limited Warranty, online registration must be completed within 60 days of installation. Online registration is not required in California or Quebec.



	GSZ14 0181K*	GSZ14 0241K*	GSZ14 0301K*	GSZ14 0361K*	GSZ14 0421K*	GSZ14 0481K*	GSZ14 0491K*	GSZ14 0601K*
NOMINAL CAPACITIES								
Cooling (BTU/h)	18,000	24,000	30,000	36,000	42,000	48,000	48,000	60,000
Heating (BTU/h)	18,000	24,000	30,000	36,000	42,000	48,000	48,000	60,000
SEER / EER	14/11.5	14/11.5	14/11.5	14/11.5	14/11.5	14/11.5	14/11.5	14/11.5
Decibels	72	72	74	74	75	75	76	76
COMPRESSOR								
RLA	9.0	10.9	13.5	15.4	16.7	18.5	19.9	26.4
LRA	47.5	62.9	72.5	83.9	109.0	124.0	109.0	134.0
Type	Scroll	Scroll	Scroll	Scroll	Scroll	Scroll	Scroll	Scroll
CONDENSER FAN MOTOR								
Horsepower	1/6	1/6	1/6	1/6	1/6	1/4	1/4	1/4
FLA	1.1	1.1	1.1	1.1	1.1	1.5	1.5	1.5
REFRIGERATION SYSTEM								
Refrigerant Line Size ¹								
Liquid Line Size ("O.D.)	3/8"	3/8"	3/8"	3/8"	3/8"	3/8"	3/8"	3/8"
Suction Line Size ("O.D.)	3/4"	3/4"	3/4"	7/8"	1 1/8"	1 1/8"	1 1/8"	1 1/8"
Refrigerant Connection Size								
Liquid Valve Size ("O.D.)	3/8"	3/8"	3/8"	3/8"	3/8"	3/8"	3/8"	3/8"
Suction Valve Size ("O.D.)	3/4"	3/4"	3/4"	3/4"	7/8"	3/4"	7/8"	7/8"
Valve Connection Type	Sweat	Sweat	Sweat	Sweat	Sweat	Sweat	Sweat	Sweat
Refrigerant Charge	125	125	125	134	158	168	215	214
ELECTRICAL DATA								
Volts/Phase (60 Hz)	208-230/1	208-230/1	208-230/1	208-230/1	208-230/1	208-230/1	208-230/1	208-230/1
Minimum Circuit Ampacity ²	12.4	14.7	17.9	20.4	22.0	24.6	26.4	34.5
Max. Overcurrent Protection ³	20	25	30	35	35	40	45	60
Min / Max Volts	197 / 253	197 / 253	197 / 253	197 / 253	197 / 253	197 / 253	197 / 253	197 / 253
Electrical Conduit Size	1/2" or 3/4"	1/2" or 3/4"	1/2" or 3/4"	1/2" or 3/4"	1/2" or 3/4"	1/2" or 3/4"	1/2" or 3/4"	1/2" or 3/4"
EQUIPMENT WEIGHT (LBS)	143	143	171	173	191	226	273	277
SHIP WEIGHT (LBS)	154	154	182	184	207	237	288	292

¹ Tested and rated in accordance with ARI Standard 210/240

² Wire size should be determined in accordance with National Electrical Codes; extensive wire runs will require larger wire sizes

³ Must use time-delay fuses or HACR-type circuit breakers of the same size as noted.

NOTES

- Always check the S&R plate for electrical data on the unit being installed.
- Installer will need to supply 3/8" to 1 1/8" adapters for suction line connections.
- Unit is charged with refrigerant for 15' of 3/8" liquid line. System charge must be adjusted per Installation Instructions Final Charge Procedure.
- Installation of these units requires the specified TXV Kit to be installed on the indoor coil.
THE SPECIFIED TXV IS DETERMINED BY THE OUTDOOR UNIT NOT THE INDOOR COIL.

IDB		OUTDOOR AMBIENT TEMPERATURE												105°F												115°F											
		65°F						75°F						85°F						95°F						105°F						115°F					
		ENTERING INDOOR WET BULB TEMPERATURE																																			
AIRFLOW	59	63	67	71	59	63	67	71	59	63	67	71	59	63	67	71	59	63	67	71	59	63	67	71	59	63	67	71									
525	MBh	17.9	18.1	18.7	-	17.7	18.0	18.5	-	17.3	17.5	18.0	-	16.4	16.7	17.2	-	15.5	15.7	16.3	-	14.6	14.8	15.4	-												
	S/T	0.62	0.54	0.40	-	0.62	0.55	0.40	-	0.65	0.57	0.43	-	1.00	0.59	0.45	-	1.00	0.61	0.47	-	1.00	0.67	0.53	-												
	ΔT	19	17	14	-	19	17	14	-	19	18	14	-	19	17	14	-	19	17	14	-	20	18	15	-												
	kW	1.06	1.05	1.05	-	1.17	1.17	1.17	-	1.30	1.30	1.30	-	1.45	1.45	1.44	-	1.61	1.60	1.60	-	1.79	1.79	1.79	-												
	Amps	4.0	4.0	4.0	-	4.5	4.5	4.5	-	5.1	5.1	5.1	-	5.8	5.8	5.8	-	6.5	6.5	6.5	-	7.4	7.4	7.4	-												
610	HI/PR	244	245	247	-	283	284	286	-	323	325	326	-	367	368	370	-	414	415	417	-	464	465	467	-												
	LO/PR	125	126	129	-	132	134	137	-	139	141	144	-	145	146	149	-	150	152	155	-	157	159	162	-												
	MBh	18.1	18.4	18.9	-	18.0	18.2	18.8	-	17.5	17.8	18.3	-	16.7	17.0	17.5	-	15.7	16.0	16.5	-	14.8	15.1	15.6	-												
	S/T	0.69	0.61	0.47	-	0.69	0.62	0.48	-	0.72	0.64	0.50	-	1.00	0.66	0.52	-	1.00	0.69	0.54	-	1.00	0.74	0.60	-												
	ΔT	18	16	13	-	18	16	13	-	18	16	13	-	18	16	13	-	18	16	13	-	19	17	14	-												
675	kW	1.06	1.06	1.06	-	1.18	1.18	1.18	-	1.31	1.31	1.31	-	1.45	1.45	1.45	-	1.61	1.61	1.61	-	1.80	1.80	1.80	-												
	Amps	4.0	4.0	4.0	-	4.6	4.6	4.6	-	5.2	5.2	5.2	-	5.8	5.8	5.8	-	6.6	6.6	6.6	-	7.4	7.4	7.4	-												
	HI/PR	247	248	250	-	285	286	288	-	326	327	329	-	369	370	372	-	416	417	419	-	466	468	469	-												
	LO/PR	127	128	131	-	134	136	139	-	141	143	146	-	147	148	151	-	152	154	157	-	159	161	164	-												
	MBh	18.4	18.6	19.2	-	18.2	18.5	19.0	-	17.8	18.0	18.5	-	16.9	17.2	17.7	-	16.0	16.2	16.8	-	15.1	15.3	15.9	-												
70	S/T	0.72	0.64	0.50	-	0.73	0.65	0.51	-	0.75	0.67	0.53	-	1.00	0.69	0.55	-	1.00	0.72	0.58	-	1.00	0.77	0.63	-												
	ΔT	17	16	12	-	17	15	12	-	17	16	12	-	17	15	12	-	17	15	12	-	18	16	13	-												
	kW	1.07	1.07	1.06	-	1.18	1.18	1.18	-	1.32	1.31	1.31	-	1.46	1.46	1.46	-	1.62	1.62	1.61	-	1.80	1.80	1.80	-												
	Amps	4.1	4.1	4.0	-	4.6	4.6	4.6	-	5.2	5.2	5.2	-	5.8	5.8	5.8	-	6.6	6.6	6.6	-	7.4	7.4	7.4	-												
	HI/PR	248	250	251	-	287	288	290	-	328	329	330	-	371	372	374	-	418	419	421	-	468	469	471	-												
LO/PR	128	130	133	-	136	138	141	-	143	144	147	-	148	150	153	-	154	155	159	-	161	162	166	-													

525	MBh	17.9	18.1	18.7	19.5	17.7	18.0	18.5	19.3	17.3	17.5	18.1	18.9	16.5	16.7	17.2	18.1	15.5	15.7	16.3	17.1	14.6	14.8	15.4	16.2
	S/T	0.75	0.67	0.53	0.38	0.76	0.68	0.54	0.39	1.00	0.78	0.64	0.49	1.00	0.72	0.58	0.44	1.00	0.75	0.61	0.46	1.00	1.00	0.66	0.51
	ΔT	23	21	18	15	23	21	18	15	23	22	18	15	23	21	18	15	23	21	18	14	24	22	19	15
	kW	1.05	1.05	1.05	1.06	1.17	1.17	1.17	1.18	1.18	1.30	1.30	1.30	1.31	1.45	1.45	1.44	1.45	1.61	1.60	1.60	1.61	1.79	1.79	1.80
	Amps	4.0	4.0	4.0	4.0	4.5	4.5	4.5	4.6	4.6	5.1	5.1	5.1	5.2	5.8	5.8	5.8	5.8	6.5	6.5	6.5	6.5	7.4	7.4	7.4
610	HI/PR	245	246	247	252	283	284	286	290	324	325	326	331	367	368	370	374	414	415	417	421	464	465	467	471
	LO/PR	125	126	129	135	132	134	137	142	139	141	144	149	145	146	149	155	150	152	155	160	157	159	162	167
	MBh	18.2	18.4	18.9	19.8	18.0	18.2	18.8	19.6	17.5	17.8	18.3	19.1	16.7	17.0	17.5	18.3	15.7	16.0	16.5	17.3	14.8	15.1	15.6	16.4
	S/T	0.82	0.74	0.60	0.46	1.00	0.75	0.61	0.46	1.00	0.78	0.64	0.49	1.00	0.80	0.66	0.51	1.00	0.82	0.68	0.53	1.00	1.00	0.73	0.58
	ΔT	22	20	17	13	22	20	17	13	22	20	17	14	22	20	17	13	22	20	17	13	23	21	18	14
675	kW	1.06	1.06	1.06	1.07	1.18	1.18	1.18	1.19	1.31	1.31	1.31	1.32	1.45	1.45	1.45	1.46	1.61	1.61	1.61	1.62	1.80	1.80	1.80	1.80
	Amps	4.0	4.0	4.0	4.1	4.6	4.6	4.6	4.6	5.2	5.2	5.2	5.2	5.8	5.8	5.8	5.9	6.6	6.6	6.6	6.6	7.4	7.4	7.4	7.4
	HI/PR	247	248	250	254	286	287	288	293	326	327	329	333	370	371	372	377	417	418	419	424	467	468	469	474
	LO/PR	127	128	132	137	134	136	139	144	141	143	146	151	147	148	151	157	152	154	157	162	159	161	164	169
	MBh	18.4	18.6	19.2	20.0	18.2	18.5	19.0	19.8	17.8	18.0	18.5	19.4	17.0	17.2	17.7	18.6	16.0	16.2	16.8	17.6	15.1	15.3	15.9	16.7
75	S/T	0.85	0.77	0.63	0.49	1.00	0.78	0.64	0.49	1.00	0.81	0.67	0.52	1.00	0.83	0.69	0.54	1.00	1.00	0.71	0.56	1.00	1.00	0.76	0.62
	ΔT	21	19	16	13	21	19	16	13	21	20	16	13	21	19	16	13	21	19	16	12	22	20	17	13
	kW	1.07	1.06	1.06	1.07	1.18	1.18	1.18	1.19	1.32	1.31	1.31	1.32	1.46	1.46	1.45	1.46	1.62	1.62	1.61	1.62	1.80	1.80	1.80	1.81
	Amps	4.1	4.0	4.0	4.1	4.6	4.6	4.6	4.6	5.2	5.2	5.2	5.2	5.8	5.8	5.8	5.9	6.6	6.6	6.6	6.6	7.4	7.4	7.4	7.5
	HI/PR	249	250	251	256	287	288	290	294	328	329	331	335	371	372	374	378	418	419	421	425	468	469	471	475
LO/PR	129	130	133	139	136	138	141	146	143	144	147	153	148	150	153	158	154	155	159	164	161	162	166	171	

IDB: Entering Indoor Dry Bulb Temperature
 High and low pressures are measured at the liquid and suction service valves.
 Shaded area reflects ACCA (TVA) Rating Conditions.
 kW = Total system power
 Amps = Outdoor unit amps (compressor + fan)

IDB	AIRFLOW	OUTDOOR AMBIENT TEMPERATURE																							
		65°F				75°F				85°F				95°F				105°F				115°F			
		59	63	67	71	59	63	67	71	59	63	67	71	59	63	67	71	59	63	67	71	59	63	67	71
80	MBh	18.0	18.2	18.8	19.6	17.8	18.1	18.6	19.4	17.4	17.6	18.1	19.0	16.6	16.8	17.3	18.2	15.6	15.8	16.4	17.2	14.7	14.9	15.5	16.3
	S/T	1.00	0.80	0.66	0.51	1.00	0.81	0.67	0.52	1.00	0.83	0.69	0.55	1.00	1.00	0.71	0.57	1.00	1.00	0.74	0.59	1.00	1.00	0.79	0.64
	ΔT	27	25	22	19	27	25	22	19	27	25	22	19	27	25	22	18	27	25	22	18	28	26	23	19
	kW	1.06	1.05	1.05	1.06	1.17	1.17	1.17	1.18	1.30	1.30	1.30	1.31	1.45	1.45	1.44	1.45	1.61	1.60	1.60	1.61	1.79	1.79	1.79	1.80
	Amps	4.0	4.0	4.0	4.0	4.5	4.5	4.5	4.6	5.1	5.1	5.1	5.2	5.8	5.8	5.8	5.8	6.5	6.5	6.5	6.6	7.4	7.4	7.4	7.4
	HI PR	245	246	248	252	284	285	286	291	324	325	327	331	368	369	370	375	415	416	417	422	465	466	468	472
	LO PR	125	127	130	135	133	134	138	143	140	141	144	150	145	147	150	155	151	152	155	161	158	159	162	168
	MBh	18.2	18.5	19.0	19.8	18.1	18.3	18.9	19.7	17.6	17.9	18.4	19.2	16.8	17.1	17.6	18.4	15.8	16.1	16.6	17.4	14.9	15.2	15.7	16.5
	S/T	1.00	0.87	0.73	0.59	1.00	0.88	0.74	0.59	1.00	0.91	0.77	0.62	1.00	1.00	0.79	0.64	1.00	1.00	0.81	0.66	1.00	1.00	0.86	0.71
	ΔT	26	24	21	17	26	24	21	17	26	24	21	18	26	24	21	17	26	24	20	17	27	25	22	18
kW	1.06	1.06	1.06	1.07	1.18	1.18	1.18	1.19	1.31	1.31	1.31	1.32	1.45	1.45	1.45	1.46	1.61	1.61	1.61	1.62	1.80	1.80	1.80	1.81	
Amps	4.0	4.0	4.0	4.1	4.6	4.6	4.6	4.6	5.2	5.2	5.2	5.2	5.8	5.8	5.8	5.9	6.6	6.6	6.6	6.6	7.4	7.4	7.4	7.4	
HI PR	247	248	250	254	286	287	289	293	326	328	329	334	370	371	373	377	417	418	420	424	467	468	470	474	
LO PR	127	129	132	137	135	136	140	145	142	143	146	152	147	149	152	157	153	154	157	163	160	161	164	170	
MBh	18.5	18.7	19.3	20.1	18.3	18.6	19.1	19.9	17.9	18.1	18.6	19.5	17.0	17.3	17.8	18.7	16.1	16.3	16.9	17.7	15.2	15.4	16.0	16.8	
S/T	1.00	0.90	0.76	0.62	1.00	0.91	0.77	0.62	1.00	0.94	0.80	0.65	1.00	1.00	0.82	0.67	1.00	1.00	0.84	0.69	1.00	1.00	0.89	0.74	
ΔT	25	23	20	17	25	23	20	17	25	24	20	17	25	23	20	17	25	23	20	16	26	24	21	17	
kW	1.07	1.07	1.06	1.07	1.18	1.18	1.18	1.19	1.32	1.31	1.31	1.32	1.46	1.46	1.46	1.46	1.62	1.62	1.61	1.62	1.80	1.80	1.80	1.81	
Amps	4.1	4.1	4.0	4.1	4.6	4.6	4.6	4.6	5.2	5.2	5.2	5.2	5.8	5.8	5.8	5.9	6.6	6.6	6.6	6.6	7.4	7.4	7.4	7.5	
HI PR	249	250	252	256	288	289	291	295	328	329	331	335	372	373	375	379	419	420	422	426	469	470	472	476	
LO PR	129	131	134	139	137	138	141	147	143	145	148	153	149	150	154	159	154	156	159	165	161	163	166	171	

85	MBh	18.3	18.5	19.1	19.9	18.1	18.4	18.9	19.7	17.7	17.9	18.4	19.3	16.9	17.1	17.6	18.5	15.9	16.1	16.7	17.5	15.0	15.2	15.8	16.6
	S/T	1.00	0.91	0.77	0.62	1.00	1.00	0.77	0.63	1.00	1.00	0.80	0.65	1.00	1.00	0.82	0.67	1.00	1.00	0.84	0.69	1.00	1.00	0.89	0.75
	ΔT	31	29	25	22	30	29	25	22	31	29	26	22	30	29	25	22	30	28	25	22	31	30	26	23
	kW	1.06	1.06	1.05	1.06	1.18	1.17	1.17	1.18	1.31	1.31	1.30	1.31	1.45	1.45	1.45	1.45	1.61	1.61	1.60	1.61	1.79	1.79	1.79	1.80
	Amps	4.0	4.0	4.0	4.0	4.6	4.6	4.5	4.6	5.2	5.2	5.1	5.2	5.8	5.8	5.8	5.8	6.5	6.5	6.5	6.6	7.4	7.4	7.4	7.4
	HI PR	246	247	249	253	285	286	288	292	325	326	328	332	369	370	372	376	416	417	419	423	466	467	469	473
	LO PR	127	129	132	137	135	136	140	145	141	143	146	151	147	149	152	157	153	154	157	163	160	161	164	170
	MBh	18.5	18.8	19.3	20.2	18.4	18.6	19.2	20.0	17.9	18.2	18.7	19.5	17.1	17.4	17.9	18.7	16.1	16.4	16.9	17.7	15.2	15.5	16.0	16.8
	S/T	1.00	0.98	0.84	0.69	1.00	1.00	0.84	0.70	1.00	1.00	0.87	0.72	1.00	1.00	0.89	0.74	1.00	1.00	0.87	0.77	1.00	1.00	0.89	0.82
	ΔT	29	28	24	21	29	28	24	21	30	28	24	21	29	27	24	21	29	27	24	21	30	28	25	22
kW	1.06	1.06	1.06	1.07	1.18	1.18	1.18	1.19	1.31	1.31	1.31	1.32	1.46	1.45	1.45	1.46	1.61	1.61	1.61	1.62	1.80	1.80	1.80	1.81	
Amps	4.0	4.0	4.0	4.1	4.6	4.6	4.6	4.6	5.2	5.2	5.2	5.2	5.8	5.8	5.8	5.9	6.6	6.6	6.6	6.6	7.4	7.4	7.4	7.4	
HI PR	249	250	251	256	287	288	290	294	328	329	330	335	371	372	374	378	418	419	421	425	468	469	471	475	
LO PR	129	131	134	139	137	138	142	147	143	145	148	154	149	151	154	159	155	156	159	165	162	163	166	172	
MBh	18.8	19.0	19.6	20.4	18.6	18.9	19.4	20.2	18.2	18.4	18.9	19.8	17.4	17.6	18.1	19.0	16.4	16.6	17.2	18.0	15.5	15.7	16.3	17.1	
S/T	1.00	1.00	0.87	0.72	1.00	1.00	0.88	0.73	1.00	1.00	0.90	0.75	1.00	1.00	0.92	0.77	1.00	1.00	0.80	0.80	1.00	1.00	0.85		
ΔT	29	27	23	20	29	27	23	20	29	27	24	21	28	27	23	20	28	26	23	20	29	28	24	21	
kW	1.07	1.07	1.07	1.07	1.19	1.19	1.18	1.19	1.32	1.32	1.32	1.32	1.46	1.46	1.46	1.47	1.62	1.62	1.62	1.63	1.81	1.80	1.80	1.81	
Amps	4.1	4.1	4.1	4.1	4.6	4.6	4.6	4.6	5.2	5.2	5.2	5.2	5.9	5.9	5.8	5.9	6.6	6.6	6.6	6.6	7.4	7.4	7.4	7.5	
HI PR	250	251	253	257	289	290	292	296	329	330	332	336	373	374	376	380	420	421	423	427	470	471	473	477	
LO PR	131	132	136	141	139	140	143	149	145	147	150	155	151	152	156	161	156	158	161	166	163	165	168	173	

IDB: Entering Indoor Dry Bulb Temperature
 High and low pressures are measured at the liquid and suction service valves.
 Shaded area reflects AHRI Rating Conditions.
 kW = Total system power
 Amps = Outdoor unit amps (compressor + fan)

IDB		OUTDOOR AMBIENT TEMPERATURE												ENTERING INDOOR WET BULB TEMPERATURE																							
		65°F						75°F						85°F						95°F						105°F						115°F					
		59	63	67	71	71	75	59	63	67	71	71	75	59	63	67	71	71	75	59	63	67	71	71	75	59	63	67	71	71	75	59	63	67	71	71	75
700	MBh	23.7	24.0	24.7	24.7	24.5	23.4	23.8	24.5	24.5	24.5	22.8	23.2	23.9	23.9	23.9	21.7	22.1	22.8	22.8	22.8	20.4	20.8	21.5	21.5	21.5	19.2	19.6	20.3	20.3	20.3	19.2	19.6	20.3	20.3	20.3	
	S/T	0.59	0.51	0.37	0.37	0.37	0.60	0.52	0.37	0.40	0.40	0.62	0.54	0.40	0.40	0.40	0.65	0.56	0.42	0.42	0.42	1.00	0.59	0.44	0.44	0.44	1.00	0.64	0.50	0.50	0.50	1.00	0.64	0.50	0.50	0.50	
	ΔT	19	17	14	14	14	19	17	14	14	14	19	17	14	14	14	19	17	14	14	14	19	17	14	14	14	20	18	15	15	15	20	18	15	15	15	
	kW	1.41	1.40	1.40	1.40	1.40	1.57	1.57	1.57	1.57	1.57	1.76	1.76	1.75	1.75	1.75	1.96	1.96	1.95	1.95	1.95	2.18	2.18	2.18	2.18	2.18	2.44	2.44	2.44	2.44	2.44	2.44	2.44	2.44	2.44	2.44	
	Amps	5.2	5.2	5.2	5.2	5.2	6.0	5.9	5.9	5.9	5.9	6.8	6.8	6.8	6.8	6.8	7.7	7.7	7.7	7.7	7.7	8.7	8.7	8.7	8.7	8.7	9.9	9.9	9.9	9.9	9.9	9.9	9.9	9.9	9.9	9.9	
	HI/PR	249	250	252	252	252	288	290	291	291	291	330	331	333	333	333	374	375	377	377	377	422	423	425	425	425	474	475	476	476	476	474	475	476	476	476	
	LO/PR	123	124	128	128	135	130	132	135	135	135	137	139	142	142	142	143	144	147	147	147	148	150	153	153	153	155	157	160	160	160	155	157	160	160	160	
800	MBh	23.9	24.2	25.0	25.0	24.7	23.7	24.0	24.7	24.7	24.7	23.1	23.4	24.1	24.1	24.1	22.0	22.3	23.1	23.1	23.1	20.7	21.0	21.7	21.7	21.7	19.5	19.8	20.6	20.6	20.6	19.5	19.8	20.6	20.6	20.6	
	S/T	0.67	0.59	0.44	0.44	0.45	0.67	0.59	0.45	0.45	0.45	0.70	0.62	0.48	0.48	0.48	1.00	0.64	0.50	0.50	0.50	1.00	0.66	0.52	0.52	0.52	1.00	0.72	0.58	0.58	0.58	1.00	0.72	0.58	0.58	0.58	
	ΔT	18	16	13	13	13	18	16	13	13	13	18	16	13	13	13	18	16	13	13	13	18	16	13	13	13	19	17	14	14	14	19	17	14	14	14	
	kW	1.41	1.41	1.41	1.41	1.41	1.58	1.58	1.58	1.58	1.58	1.77	1.76	1.76	1.76	1.76	1.97	1.96	1.96	1.96	1.96	2.19	2.19	2.19	2.19	2.19	2.45	2.45	2.45	2.45	2.45	2.45	2.45	2.45	2.45	2.45	
	Amps	5.2	5.2	5.2	5.2	5.2	6.0	6.0	6.0	6.0	6.0	6.8	6.8	6.8	6.8	6.8	7.8	7.8	7.7	7.7	7.7	8.8	8.8	8.8	8.8	8.8	10.0	10.0	10.0	10.0	10.0	10.0	10.0	10.0	10.0	10.0	
	HI/PR	251	252	254	254	254	290	292	293	293	293	332	333	335	335	335	376	377	379	379	379	424	426	427	427	427	476	477	479	479	479	476	477	479	479	479	
	LO/PR	125	126	129	129	137	132	134	137	137	137	139	140	143	143	143	144	146	149	149	149	150	151	154	154	154	157	158	161	161	161	157	158	161	161	161	
870	MBh	24.1	24.5	25.2	25.2	25.0	23.9	24.2	25.0	25.0	25.0	23.3	23.6	24.3	24.3	24.3	22.2	22.6	23.3	23.3	23.3	20.9	21.2	22.0	22.0	22.0	19.7	20.1	20.8	20.8	20.8	19.7	20.1	20.8	20.8	20.8	
	S/T	0.71	0.62	0.48	0.48	0.49	0.71	0.63	0.49	0.49	0.49	0.74	0.66	0.51	0.51	0.51	1.00	0.68	0.53	0.53	0.53	1.00	0.70	0.56	0.56	0.56	1.00	0.76	0.61	0.61	0.61	1.00	0.76	0.61	0.61	0.61	
	ΔT	17	16	12	12	12	17	15	12	12	12	17	16	13	13	13	17	15	12	12	12	17	15	12	12	12	18	16	13	13	13	18	16	13	13	13	
	kW	1.42	1.42	1.42	1.42	1.42	1.59	1.58	1.58	1.58	1.58	1.77	1.77	1.77	1.77	1.77	1.97	1.97	1.97	1.97	1.97	2.20	2.19	2.19	2.19	2.19	2.46	2.46	2.45	2.45	2.45	2.46	2.46	2.45	2.45	2.45	
	Amps	5.3	5.3	5.2	5.2	5.2	6.0	6.0	6.0	6.0	6.0	6.9	6.9	6.8	6.8	6.8	7.8	7.8	7.8	7.8	7.8	8.8	8.8	8.8	8.8	8.8	10.0	10.0	10.0	10.0	10.0	10.0	10.0	10.0	10.0	10.0	
	HI/PR	252	253	255	255	255	292	293	295	295	295	333	334	336	336	336	378	379	381	381	381	426	427	429	429	429	477	478	480	480	480	477	478	480	480	480	
	LO/PR	126	127	130	130	138	133	135	138	138	138	140	141	145	145	145	145	147	150	150	150	151	152	156	156	156	158	159	163	163	163	158	159	163	163	163	

700	MBh	23.7	24.0	24.7	25.8	25.6	23.5	23.8	24.5	25.6	25.6	22.8	23.2	23.9	25.0	25.0	21.8	22.1	22.8	23.9	23.9	20.5	20.8	21.5	22.6	22.6	19.3	19.6	20.3	21.4	21.4
	S/T	0.80	0.72	0.58	0.43	0.44	0.81	0.73	0.59	0.44	0.44	1.00	0.76	0.61	0.46	0.46	1.00	0.78	0.63	0.48	0.48	1.00	0.80	0.66	0.51	0.51	1.00	1.00	0.71	0.56	0.48
	ΔT	22	20	17	13	13	21	20	17	13	13	22	20	17	14	14	21	20	17	13	13	21	20	16	13	13	22	21	17	14	15
	kW	1.40	1.40	1.40	1.41	1.41	1.57	1.57	1.57	1.58	1.59	1.76	1.75	1.75	1.76	1.76	1.96	1.96	1.96	1.96	1.96	2.18	2.18	2.18	2.19	2.19	2.44	2.44	2.44	2.45	2.45
	Amps	5.2	5.2	5.2	5.2	5.2	5.9	5.9	5.9	6.0	6.0	6.8	6.8	6.8	6.8	6.8	7.7	7.7	7.7	7.8	7.8	8.7	8.7	8.7	8.8	8.8	9.9	9.9	9.9	10.0	10.0
	HI/PR	249	250	252	256	256	289	290	291	296	296	330	331	333	337	337	375	375	377	382	382	423	424	425	430	430	474	475	477	481	481
	LO/PR	123	125	128	133	133	131	132	135	140	140	137	139	142	147	147	143	144	147	153	153	148	150	153	158	158	155	157	160	165	165
800	MBh	23.9	24.3	25.0	26.1	26.1	23.7	24.0	24.8	25.8	25.8	23.1	23.4	24.1	25.2	25.2	22.0	22.4	23.1	24.2	24.2	20.7	21.1	21.8	22.8	22.8	19.5	19.9	20.6	21.7	21.7
	S/T	0.80	0.72	0.58	0.43	0.43	0.81	0.73	0.59	0.44	0.44	1.00	0.76	0.61	0.46	0.46	1.00	0.78	0.63	0.48	0.48	1.00	0.80	0.66	0.51	0.51	1.00	1.00	0.71	0.56	0.48
	ΔT	22	20	17	13	13	21	20	17	13	13	22	20	17	14	14	21	20	17	13	13	21	20	16	13	13	22	21	17	14	14
	kW	1.41	1.41	1.41	1.41	1.41	1.58	1.58	1.58	1.59	1.59	1.76	1.76	1.76	1.77	1.77	1.96	1.96	1.96	1.97	1.97	2.19	2.19	2.18	2.20	2.20	2.45	2.45	2.45	2.46	2.46
	Amps	5.2	5.2	5.2	5.3	5.3	6.0	6.0	6.0	6.0	6.0	6.8	6.8	6.8	6.9	6.9	7.8	7.7	7.7	7.8	7.8	8.8	8.8	8.8	8.8	8.8	10.0	10.0	10.0	10.0	10.0
	HI/PR	251	252	254	258	258	291	292	294	298	298	332	333	335	339	339	377	378	379	384	384	425	426	427	432	432	476	477	479	483	483
	LO/PR	125	126	129	135	135	132	134	137	142	142	139	140	143	149	149	144	146	149	154	154	150	151	154	160	160	157	158	161	167	167
870	MBh	24.1	24.5	25.2	26.3	26.3	23.9	24.3	25.0	26.1	26.1	23.3	23.6	24.3	25.4	25.4	22.2	22.6	23.3	24.4	24.4	20.9	21.3	22.0	23.1	23.1	19.7	20.1	20.8	21.9	21.9
	S/T	0.84	0.76	0.62	0.47	0.47	1.00	0.77	0.62	0.47	0.47	1.00	0.79	0.65	0.50	0.50	1.00	0.82	0.67	0.52	0.52	1.00	0.84	0.69	0.54	0.54	1.00	1.00	0.75	0.60	0.60
	ΔT	21	19	16	13	13	21	19	16	13	13	21	19	16	13	13	21	19	16	13	13	21	19	16	13	13	22	20	17	14	14
	kW	1.42	1.42	1.41	1.43	1.43	1.58	1.58	1.58	1.59	1.59	1.77	1.77	1.77	1.78	1.78	1.97	1.97	1.97	1.98	1.98	2.19	2.19	2.19	2.20	2.20	2.46	2.46	2.45	2.47	2.47
	Amps	5.3	5.2	5.2	5.3	5.3	6.0	6.0	6.0	6.1	6.1	6.9	6.9	6.8	6.9																

IDB	AIRFLOW	OUTDOOR AMBIENT TEMPERATURE																								
		65°F				75°F				85°F				95°F				105°F				115°F				
		59	63	67	71	59	63	67	71	59	63	67	71	59	63	67	71	59	63	67	71	59	63	67	71	
80	700	MBh	23.8	24.1	24.8	25.9	23.6	23.9	24.6	25.7	23.0	23.3	24.0	25.1	21.9	22.2	22.9	24.0	20.6	20.9	21.6	22.7	19.4	19.7	20.4	21.5
		S/T	1.00	0.78	0.64	0.49	1.00	0.79	0.64	0.49	1.00	0.81	0.67	0.52	1.00	0.83	0.69	0.54	1.00	1.00	0.71	0.56	1.00	1.00	0.77	0.62
	ΔT	26	25	22	18	26	25	21	18	27	25	22	18	26	25	21	18	26	24	21	18	27	25	22	19	
	kW	1.41	1.40	1.40	1.41	1.57	1.57	1.57	1.58	1.76	1.76	1.75	1.76	1.96	1.96	1.96	1.95	2.18	2.18	2.18	2.19	2.44	2.44	2.44	2.45	
	Amps	5.2	5.2	5.2	5.2	6.0	5.9	5.9	6.0	6.8	6.8	6.8	6.8	7.7	7.7	7.7	7.8	8.7	8.7	8.7	8.8	9.9	9.9	9.9	10.0	
	HI PR	250	251	252	257	289	290	292	296	330	332	333	338	375	376	378	382	423	424	426	430	474	475	477	482	
	LO PR	124	125	128	133	131	133	136	141	138	139	142	148	143	145	148	153	149	150	153	159	156	157	160	166	
	MBh	24.0	24.4	25.1	26.2	23.8	24.2	24.9	26.0	23.2	23.6	24.3	25.3	22.1	22.5	23.2	24.3	20.8	21.2	21.9	23.0	19.6	20.0	20.7	21.8	
	S/T	1.00	0.86	0.71	0.56	1.00	0.86	0.72	0.57	1.00	0.89	0.75	0.59	1.00	1.00	0.77	0.62	1.00	1.00	0.79	0.64	1.00	1.00	0.84	0.69	
	ΔT	25	24	20	17	25	24	20	17	25	24	21	17	25	24	20	17	25	23	20	17	26	24	21	18	
kW	1.41	1.41	1.41	1.42	1.58	1.58	1.58	1.59	1.77	1.76	1.76	1.77	1.97	1.96	1.96	1.97	2.19	2.19	2.19	2.20	2.45	2.45	2.45	2.46		
Amps	5.2	5.2	5.2	5.3	6.0	6.0	6.0	6.0	6.8	6.8	6.8	6.9	7.8	7.8	7.7	7.8	8.8	8.8	8.8	8.8	10.0	10.0	10.0	10.0		
HI PR	252	253	255	259	291	292	294	298	333	334	335	340	377	378	380	384	425	426	428	432	476	477	479	484		
LO PR	125	127	130	135	133	134	137	143	139	141	144	149	145	146	150	155	150	152	155	160	157	159	162	167		
870	700	MBh	24.3	24.6	25.3	26.4	24.0	24.4	25.1	26.2	23.4	23.8	24.5	25.6	22.4	22.7	23.4	24.5	21.0	21.4	22.1	23.2	19.9	20.2	20.9	22.0
		S/T	1.00	0.89	0.75	0.60	1.00	0.90	0.76	0.61	1.00	0.93	0.78	0.63	1.00	1.00	0.80	0.65	1.00	1.00	0.83	0.68	1.00	1.00	0.88	0.73
	ΔT	25	23	20	17	25	23	20	17	25	23	20	17	25	23	20	16	24	23	20	16	25	24	21	17	
	kW	1.42	1.42	1.42	1.43	1.59	1.58	1.58	1.59	1.77	1.77	1.77	1.78	1.97	1.97	1.97	1.98	2.19	2.19	2.19	2.20	2.46	2.46	2.45	2.47	
	Amps	5.3	5.3	5.2	5.3	6.0	6.0	6.0	6.1	6.9	6.9	6.8	6.9	7.8	7.8	7.8	7.8	8.8	8.8	8.8	8.8	10.0	10.0	10.0	10.0	
	HI PR	253	254	256	260	293	294	295	300	334	335	337	341	378	380	381	386	426	428	429	434	478	479	481	485	
	LO PR	126	128	131	136	134	135	139	144	140	142	145	150	146	148	151	156	152	153	156	161	158	160	163	168	
	MBh	24.2	24.5	25.2	26.3	24.0	24.3	25.0	26.1	23.4	23.7	24.4	25.5	22.3	22.6	23.3	24.4	21.0	21.3	22.0	23.1	19.8	20.1	20.8	21.9	
	S/T	1.00	0.89	0.74	0.59	1.00	0.89	0.75	0.60	1.00	1.00	0.78	0.63	1.00	1.00	0.80	0.65	1.00	1.00	0.82	0.67	1.00	1.00	1.00	0.72	
	ΔT	30	28	25	22	30	28	25	22	30	28	25	22	30	28	25	21	29	28	25	21	30	29	26	22	
kW	1.41	1.41	1.40	1.42	1.57	1.57	1.57	1.58	1.76	1.76	1.76	1.77	1.96	1.96	1.96	1.97	2.18	2.18	2.18	2.19	2.45	2.45	2.44	2.45		
Amps	5.2	5.2	5.2	5.2	6.0	6.0	5.9	6.0	6.8	6.8	6.8	6.9	7.7	7.7	7.7	7.8	8.8	8.7	8.7	8.8	10.0	10.0	9.9	10.0		
HI PR	251	252	254	258	290	291	293	297	332	333	334	339	376	377	379	383	424	425	427	431	475	477	478	483		
LO PR	125	127	130	135	133	134	138	143	140	141	144	149	145	147	150	155	151	152	155	161	157	159	162	167		
85	700	MBh	24.5	24.8	25.5	26.6	24.2	24.6	25.3	26.4	23.6	24.0	24.7	25.7	22.5	22.9	23.6	24.7	21.2	21.6	22.3	23.4	20.0	20.4	21.1	22.2
		S/T	1.00	0.96	0.82	0.67	1.00	1.00	0.83	0.68	1.00	1.00	0.85	0.70	1.00	1.00	0.87	0.72	1.00	1.00	0.90	0.75	1.00	1.00	1.00	0.80
	ΔT	29	27	24	20	29	27	24	20	29	27	24	21	29	27	24	20	28	27	23	20	29	28	25	21	
	kW	1.42	1.42	1.41	1.43	1.58	1.58	1.58	1.59	1.77	1.77	1.76	1.78	1.97	1.97	1.96	1.98	2.19	2.19	2.19	2.20	2.46	2.45	2.45	2.46	
	Amps	5.2	5.2	5.2	5.3	6.0	6.0	6.0	6.0	6.9	6.8	6.8	6.9	7.8	7.8	7.8	7.8	8.8	8.8	8.8	8.8	10.0	10.0	10.0	10.0	
	HI PR	253	254	256	260	292	293	295	300	334	335	337	341	378	379	381	385	426	427	429	433	478	479	480	485	
	LO PR	127	129	132	137	135	136	139	144	141	143	146	151	147	148	151	157	152	154	157	162	159	161	164	169	
	MBh	24.7	25.0	25.7	26.8	24.4	24.8	25.5	26.6	23.8	24.2	24.9	26.0	22.8	23.1	23.8	24.9	21.4	21.8	22.5	23.6	20.3	20.6	21.3	22.4	
	S/T	1.00	1.00	0.86	0.71	1.00	1.00	0.86	0.71	1.00	1.00	0.89	0.74	1.00	1.00	0.91	0.76	1.00	1.00	0.93	0.78	1.00	1.00	1.00	0.84	
	ΔT	28	26	23	20	28	26	23	20	28	26	23	20	28	26	23	20	28	26	23	20	29	27	24	21	
kW	1.42	1.42	1.42	1.43	1.59	1.59	1.58	1.60	1.77	1.77	1.77	1.78	1.97	1.97	1.97	1.98	2.20	2.20	2.19	2.21	2.46	2.46	2.46	2.47		
Amps	5.3	5.3	5.3	5.3	6.0	6.0	6.0	6.1	6.9	6.9	6.9	6.9	7.8	7.8	7.8	7.8	8.8	8.8	8.8	8.9	10.0	10.0	10.0	10.1		
HI PR	254	255	257	261	294	295	297	301	335	336	338	342	380	381	382	387	428	429	430	435	479	480	482	486		
LO PR	128	130	133	138	136	137	140	146	142	144	147	152	148	149	153	158	153	155	158	163	160	162	165	170		

IDB: Entering Indoor Dry Bulb Temperature
 High and low pressures are measured at the liquid and suction service valves.
 Shaded area reflects AHRI Rating Conditions.
 kW = Total system power
 Amps = Outdoor unit amps (compressor + fan)

IDB		OUTDOOR AMBIENT TEMPERATURE																							
		65°F				75°F				85°F				95°F				105°F				115°F			
		59	63	67	71	59	63	67	71	59	63	67	71	59	63	67	71	59	63	67	71	59	63	67	71
		ENTERING INDOOR WET BULB TEMPERATURE																							
70	MBh	28.4	28.8	29.7	-	28.2	28.6	29.4	-	27.5	27.9	28.7	-	26.2	26.6	27.4	-	24.7	25.1	25.9	-	23.3	23.6	24.5	-
	S/T	0.65	0.57	0.44	-	0.66	0.58	0.45	-	0.68	0.61	0.47	-	0.70	0.62	0.49	-	0.72	0.65	0.51	-	1.00	0.70	0.56	-
	ΔT	19	17	13	-	19	17	13	-	19	17	14	-	19	17	13	-	18	17	13	-	20	18	14	-
	kW	1.69	1.69	1.68	-	1.89	1.89	1.89	-	2.12	2.11	2.11	-	2.36	2.36	2.35	-	2.63	2.63	2.63	-	2.95	2.95	2.95	-
	Amps	6.5	6.5	6.5	-	7.5	7.5	7.4	-	8.5	8.5	8.5	-	9.6	9.6	9.6	-	10.9	10.9	10.8	-	12.3	12.3	12.3	-
	HI/PR	250	251	253	-	289	290	292	-	330	331	333	-	374	375	377	-	422	423	425	-	473	474	475	-
	LO/PR	118	120	123	-	125	127	130	-	131	133	136	-	137	138	141	-	142	143	146	-	148	150	153	-
1000	MBh	29.0	29.4	30.2	-	28.7	29.1	30.0	-	28.0	28.4	29.2	-	26.7	27.1	28.0	-	25.2	25.6	26.4	-	23.8	24.2	25.0	-
	S/T	0.69	0.61	0.48	-	0.69	0.62	0.49	-	0.72	0.64	0.51	-	0.74	0.66	0.53	-	1.00	0.68	0.55	-	1.00	0.73	0.60	-
	ΔT	18	16	12	-	18	16	12	-	18	16	13	-	18	16	12	-	17	15	12	-	18	17	13	-
	kW	1.70	1.70	1.69	-	1.90	1.90	1.90	-	2.13	2.12	2.12	-	2.37	2.37	2.36	-	2.64	2.64	2.64	-	2.96	2.96	2.96	-
	Amps	6.6	6.6	6.6	-	7.5	7.5	7.5	-	8.5	8.5	8.5	-	9.7	9.7	9.6	-	10.9	10.9	10.9	-	12.4	12.4	12.4	-
	HI/PR	252	254	255	-	292	293	294	-	333	334	335	-	377	378	380	-	424	425	427	-	475	476	478	-
	LO/PR	120	122	125	-	128	129	132	-	134	135	138	-	139	140	143	-	144	146	149	-	151	152	155	-
1125	MBh	29.6	30.0	30.9	-	29.4	29.8	30.6	-	28.6	29.0	29.9	-	27.4	27.8	28.6	-	25.8	26.2	27.1	-	24.4	24.8	25.7	-
	S/T	0.69	0.62	0.49	-	0.70	0.62	0.49	-	0.72	0.65	0.52	-	0.74	0.67	0.54	-	1.00	0.69	0.56	-	1.00	0.74	0.61	-
	ΔT	17	15	11	-	17	15	11	-	17	15	12	-	17	15	11	-	16	15	11	-	17	16	12	-
	kW	1.71	1.71	1.70	-	1.91	1.91	1.90	-	2.13	2.13	2.13	-	2.38	2.38	2.37	-	2.65	2.65	2.65	-	2.97	2.97	2.97	-
	Amps	6.6	6.6	6.6	-	7.6	7.6	7.5	-	8.6	8.6	8.6	-	9.7	9.7	9.7	-	11.0	10.9	10.9	-	12.4	12.4	12.4	-
	HI/PR	255	256	258	-	294	295	297	-	335	336	338	-	379	380	382	-	427	428	430	-	478	479	480	-
	LO/PR	123	124	127	-	130	132	134	-	136	138	141	-	142	143	146	-	147	148	151	-	153	155	158	-

75	MBh	28.5	28.9	29.7	31.0	28.2	28.6	29.4	30.7	27.5	27.9	28.7	30.0	26.2	26.6	27.5	28.7	24.7	25.1	25.9	27.2	23.3	23.7	24.5	25.8
	S/T	0.77	0.70	0.57	0.43	0.78	0.71	0.57	0.44	0.81	0.73	0.60	0.46	1.00	0.75	0.62	0.48	1.00	0.77	0.64	0.50	1.00	0.82	0.69	0.55
	ΔT	23	21	17	14	23	21	17	14	23	21	18	14	23	21	17	14	22	21	17	14	24	22	18	15
	kW	1.69	1.69	1.68	1.70	1.89	1.89	1.88	1.90	2.11	2.11	2.11	2.12	2.36	2.36	2.35	2.37	2.63	2.63	2.63	2.64	2.95	2.95	2.95	2.96
	Amps	6.5	6.5	6.5	6.6	7.5	7.5	7.4	7.5	8.5	8.5	8.5	8.5	9.6	9.6	9.6	9.7	10.9	10.9	10.8	10.9	12.3	12.3	12.3	12.4
	HI/PR	250	251	253	257	289	290	292	297	330	331	333	337	374	376	377	382	422	423	425	429	473	474	476	480
	LO/PR	118	120	123	128	125	127	130	135	131	133	136	141	137	138	141	146	142	143	146	151	148	150	153	158
1000	MBh	29.0	29.4	30.2	31.5	28.8	29.1	30.0	31.3	28.0	28.4	29.3	30.5	26.8	27.2	28.0	29.3	25.2	25.6	26.5	27.7	23.8	24.2	25.0	26.3
	S/T	0.81	0.74	0.61	0.47	0.82	0.74	0.61	0.47	1.00	0.77	0.64	0.50	1.00	0.79	0.65	0.52	1.00	0.81	0.68	0.54	1.00	0.86	0.73	0.59
	ΔT	22	20	16	13	22	20	16	13	22	20	17	13	22	20	16	13	21	19	16	13	22	21	17	14
	kW	1.70	1.70	1.69	1.71	1.90	1.90	1.89	1.91	2.12	2.12	2.12	2.14	2.37	2.37	2.36	2.38	2.64	2.64	2.64	2.65	2.96	2.96	2.96	2.97
	Amps	6.6	6.6	6.6	6.6	7.5	7.5	7.5	7.6	8.5	8.5	8.5	8.6	9.7	9.7	9.6	9.7	10.9	10.9	10.9	11.0	12.4	12.4	12.3	12.4
	HI/PR	253	254	256	260	292	293	295	299	333	334	336	340	377	378	380	384	425	426	427	432	475	476	478	482
	LO/PR	120	122	125	130	128	129	132	137	134	135	138	143	139	140	143	148	144	146	149	153	151	152	155	160
1125	MBh	29.6	30.0	30.9	32.2	29.4	29.8	30.6	31.9	28.7	29.1	29.9	31.2	27.4	27.8	28.6	29.9	25.9	26.3	27.1	28.4	24.5	24.8	25.7	27.0
	S/T	0.82	0.74	0.61	0.47	0.82	0.75	0.62	0.48	1.00	0.77	0.64	0.50	1.00	0.79	0.66	0.52	1.00	0.81	0.68	0.54	1.00	0.86	0.73	0.59
	ΔT	21	19	15	12	21	19	15	12	21	19	16	12	21	19	15	12	20	19	15	12	22	20	16	13
	kW	1.71	1.70	1.70	1.72	1.91	1.91	1.90	1.92	2.13	2.13	2.13	2.14	2.38	2.38	2.37	2.39	2.65	2.65	2.64	2.66	2.97	2.97	2.96	2.98
	Amps	6.6	6.6	6.6	6.7	7.6	7.5	7.5	7.6	8.6	8.6	8.6	8.6	9.7	9.7	9.7	9.7	10.9	10.9	10.9	11.0	12.4	12.4	12.4	12.5
	HI/PR	255	256	258	262	294	295	297	301	335	336	338	342	379	380	382	387	427	428	430	434	478	479	481	485
	LO/PR	123	124	127	132	130	132	135	139	136	138	141	146	142	143	146	151	147	148	151	156	153	155	158	163

IDB: Entering Indoor Dry Bulb Temperature
 High and low pressures are measured at the liquid and suction service valves.
 Shaded area reflects ACCA (TVA) Rating Conditions.
 kW = Total system power
 Amps = Outdoor unit amps (compressor + fan)

IDB	AIRFLOW	OUTDOOR AMBIENT TEMPERATURE																													
		65°F					75°F					85°F					95°F					105°F					115°F				
		59	63	67	71	75	59	63	67	71	75	59	63	67	71	75	59	63	67	71	75	59	63	67	71	75	59	63	67	71	75
80	870	MBh	28.6	29.0	29.8	31.1	28.4	28.8	29.6	30.9	27.6	28.0	28.9	30.1	26.4	26.8	27.6	28.9	24.8	25.2	26.1	27.3	23.4	23.8	24.7	25.9					
		S/T	0.90	0.82	0.69	0.55	1.00	0.83	0.70	0.56	1.00	0.85	0.72	0.58	1.00	0.87	0.74	0.60	1.00	0.89	0.76	0.62	1.00	1.00	0.81	0.67					
	ΔT	27	25	22	18	27	25	21	18	27	25	22	18	27	25	21	18	26	25	21	18	28	26	22	19						
	kW	1.69	1.69	1.68	1.70	1.89	1.89	1.88	1.90	2.12	2.11	2.11	2.13	2.36	2.36	2.35	2.37	2.63	2.63	2.63	2.64	2.95	2.95	2.95	2.96						
	Amps	6.5	6.5	6.5	6.6	7.5	7.5	7.4	7.5	8.5	8.5	8.5	8.5	9.6	9.6	9.6	9.7	10.9	10.9	10.8	10.9	12.3	12.3	12.3	12.4						
	HI PR	251	252	254	258	290	291	293	297	331	332	334	338	375	376	378	382	423	423	424	425	430	473	474	476	480					
	LO PR	119	120	123	128	126	127	130	135	132	133	136	141	137	139	142	147	142	144	144	147	152	149	150	153	158					
	1000	MBh	29.2	29.5	30.4	31.7	28.9	29.3	30.1	31.4	28.2	28.6	29.4	30.7	26.9	27.3	28.1	29.4	25.4	25.8	26.6	27.9	24.0	24.4	25.2	26.5					
		S/T	0.93	0.86	0.73	0.59	1.00	0.87	0.73	0.59	1.00	0.89	0.76	0.62	1.00	0.91	0.78	0.64	1.00	1.00	0.80	0.66	1.00	1.00	0.85	0.71					
	ΔT	26	24	20	17	26	24	20	17	26	24	21	17	26	24	20	17	25	24	20	17	27	25	21	18						
kW	1.70	1.70	1.69	1.71	1.90	1.90	1.88	1.91	2.13	2.12	2.12	2.14	2.37	2.37	2.36	2.38	2.64	2.64	2.64	2.65	2.96	2.96	2.96	2.97							
Amps	6.6	6.6	6.6	6.6	7.5	7.5	7.5	7.6	8.5	8.5	8.5	8.6	9.7	9.7	9.6	9.7	10.9	10.9	10.9	11.0	12.4	12.4	12.4	12.4							
HI PR	253	254	256	260	292	293	295	299	333	334	336	340	377	378	380	385	425	426	428	432	476	477	479	483							
LO PR	121	122	125	130	128	129	132	137	134	136	139	144	139	141	144	149	145	146	149	154	151	153	155	160							
1125	MBh	29.8	30.2	31.0	32.3	29.5	29.9	30.8	32.1	28.8	29.2	30.0	31.3	27.5	27.9	28.8	30.1	26.0	26.4	27.2	28.5	24.6	25.0	25.8	27.1						
	S/T	1.00	0.87	0.73	0.59	1.00	0.87	0.74	0.60	1.00	0.90	0.76	0.63	1.00	0.92	0.78	0.64	1.00	1.00	0.80	0.67	1.00	1.00	0.86	0.72						
ΔT	25	23	19	16	25	23	19	16	25	23	20	16	25	23	19	16	24	23	19	16	26	24	20	17							
kW	1.71	1.71	1.70	1.72	1.91	1.91	1.90	1.92	2.13	2.13	2.13	2.14	2.38	2.38	2.37	2.39	2.65	2.65	2.65	2.66	2.97	2.97	2.97	2.98							
Amps	6.6	6.6	6.6	6.7	7.6	7.5	7.5	7.6	8.6	8.6	8.6	8.6	9.7	9.7	9.7	9.8	11.0	10.9	10.9	11.0	12.4	12.4	12.4	12.5							
HI PR	256	257	258	263	295	296	298	302	336	337	339	343	380	381	383	387	427	428	430	435	478	479	481	485							
LO PR	124	125	128	133	131	132	135	140	137	138	141	146	142	144	146	151	147	149	152	157	154	155	158	163							

85	870	MBh	29.1	29.5	30.3	31.6	28.8	29.2	30.1	31.3	28.1	28.5	29.3	30.6	26.8	27.2	28.1	29.4	25.3	25.7	26.5	27.8	23.9	24.3	25.1	26.4
		S/T	1.00	0.92	0.79	0.65	1.00	0.93	0.80	0.66	1.00	0.95	0.82	0.68	1.00	1.00	0.84	0.70	1.00	1.00	0.86	0.72	1.00	1.00	0.91	0.77
	ΔT	30	29	25	22	30	28	25	22	31	29	25	22	30	28	25	22	30	28	25	22	31	29	26	22	
	kW	1.69	1.69	1.69	1.70	1.89	1.89	1.89	1.90	2.12	2.12	2.11	2.13	2.36	2.36	2.36	2.37	2.62	2.63	2.63	2.65	2.96	2.96	2.95	2.97	
	Amps	6.6	6.6	6.5	6.6	7.5	7.5	7.5	7.5	8.5	8.5	8.5	8.6	9.6	9.6	9.6	9.7	10.9	10.9	10.9	10.9	12.3	12.3	12.3	12.4	
	HI PR	252	253	255	259	291	292	294	298	332	333	335	339	376	377	379	383	424	425	427	431	474	476	477	482	
	LO PR	120	122	125	130	127	129	132	137	134	135	138	143	139	140	143	148	144	146	148	153	151	152	155	160	
	1000	MBh	29.6	30.0	30.9	32.1	29.4	29.8	30.6	31.9	28.6	29.0	29.9	31.2	27.4	27.8	28.6	29.9	25.8	26.2	27.1	28.4	24.4	24.8	25.7	26.9
		S/T	1.00	0.96	0.83	0.69	1.00	0.96	0.83	0.69	1.00	1.00	0.86	0.72	1.00	1.00	0.88	0.74	1.00	1.00	0.90	0.76	1.00	1.00	0.95	0.81
	ΔT	29	27	24	20	29	27	24	20	29	28	24	21	29	27	24	20	29	27	24	20	30	28	25	21	
kW	1.70	1.70	1.70	1.71	1.90	1.90	1.90	1.91	2.13	2.13	2.12	2.14	2.37	2.37	2.37	2.38	2.65	2.64	2.64	2.66	2.97	2.96	2.96	2.98		
Amps	6.6	6.6	6.6	6.7	7.5	7.5	7.5	7.6	8.6	8.6	8.5	8.6	9.7	9.7	9.7	9.7	10.9	10.9	10.9	11.0	12.4	12.4	12.4	12.4		
HI PR	254	255	257	261	293	295	296	301	334	335	337	342	379	380	381	386	426	427	429	433	477	478	480	484		
LO PR	123	124	127	132	130	131	134	139	136	137	140	145	141	143	146	151	146	148	151	156	153	154	157	162		
1125	MBh	30.3	30.7	31.5	32.8	30.0	30.4	31.2	32.5	29.3	29.7	30.5	31.8	28.0	28.4	29.3	30.5	26.5	26.9	27.7	29.0	25.1	25.5	26.3	27.6	
	S/T	1.00	0.96	0.83	0.69	1.00	0.97	0.84	0.70	1.00	1.00	0.86	0.72	1.00	1.00	0.88	0.74	1.00	1.00	0.90	0.76	1.00	1.00	0.95	0.81	
ΔT	28	27	23	20	28	26	23	19	29	27	23	20	28	26	23	19	28	26	23	19	29	27	24	20		
kW	1.71	1.71	1.71	1.72	1.91	1.91	1.91	1.92	2.14	2.14	2.13	2.15	2.38	2.38	2.38	2.39	2.65	2.65	2.65	2.67	2.97	2.97	2.97	2.98		
Amps	6.7	6.6	6.6	6.7	7.6	7.6	7.6	7.6	8.6	8.6	8.6	8.7	9.7	9.7	9.7	9.8	11.0	11.0	10.9	11.0	12.4	12.4	12.4	12.5		
HI PR	257	258	260	264	296	297	299	303	337	338	340	344	381	382	384	388	429	430	431	436	479	480	482	486		
LO PR	125	127	130	135	132	134	137	142	139	140	143	148	144	145	148	153	149	150	153	158	155	157	160	165		

kW = Total system power
Amps = Outdoor unit amps (compressor + fan)

Shaded area reflects AHRI Rating Conditions.

IDB: Entering Indoor Dry Bulb Temperature
High and low pressures are measured at the liquid and suction service valves.

IDB	AIRFLOW	OUTDOOR AMBIENT TEMPERATURE																																
		65°F					75°F					85°F					95°F					105°F					115°F							
		59	63	67	71	75	59	63	67	71	75	59	63	67	71	75	59	63	67	71	75	59	63	67	71	75	59	63	67	71	75			
70	1070	MBh	36.3	36.8	37.9	-	36.0	36.5	37.5	-	35.0	35.5	36.6	-	33.4	33.9	35.0	-	31.5	32.0	33.0	-	29.7	30.2	31.2	-	31.5	32.0	33.0	-	29.7	30.2	31.2	-
		S/T	0.65	0.57	0.44	-	0.66	0.58	0.45	-	0.68	0.61	0.47	-	0.70	0.62	0.49	-	1.00	0.65	0.51	-	1.00	0.70	0.56	-	1.00	0.65	0.51	-	1.00	0.70	0.56	-
		ΔT	19	18	14	-	19	17	14	-	20	18	14	-	19	17	14	-	19	17	14	-	20	18	15	-	19	17	14	-	20	18	15	-
	1200	kW	2.17	2.17	2.16	-	2.44	2.43	2.43	-	2.73	2.73	2.72	-	3.05	3.05	3.04	-	3.41	3.41	3.40	-	3.83	3.83	3.82	-	3.41	3.41	3.40	-	3.83	3.83	3.82	-
		Amps	8.3	8.3	8.2	-	9.5	9.5	9.5	-	10.8	10.8	10.8	-	12.3	12.3	12.3	-	13.9	13.9	13.9	-	15.9	15.9	15.8	-	13.9	13.9	13.9	-	15.9	15.9	15.8	-
		HI/PR	263	265	266	-	305	306	308	-	348	349	351	-	394	395	397	-	444	446	447	-	498	499	501	-	444	446	447	-	498	499	501	-
	1350	LO/PR	121	123	126	-	129	130	133	-	135	137	140	-	140	142	145	-	146	147	150	-	152	154	157	-	146	147	150	-	152	154	157	-
		MBh	37.6	38.1	39.2	-	37.3	37.8	38.9	-	36.3	36.8	37.9	-	34.7	35.2	36.3	-	32.8	33.3	34.3	-	31.0	31.5	32.5	-	32.8	33.3	34.3	-	31.0	31.5	32.5	-
		S/T	0.69	0.62	0.49	-	0.70	0.62	0.49	-	0.72	0.65	0.52	-	1.00	0.67	0.54	-	1.00	0.69	0.56	-	1.00	0.74	0.61	-	1.00	0.69	0.56	-	1.00	0.74	0.61	-
	1070	ΔT	18	16	12	-	17	16	12	-	18	16	12	-	17	16	12	-	17	15	12	-	18	16	13	-	17	15	12	-	18	16	13	-
		kW	2.19	2.19	2.19	-	2.46	2.46	2.45	-	2.75	2.75	2.75	-	3.07	3.07	3.07	-	3.43	3.43	3.42	-	3.85	3.85	3.84	-	3.43	3.43	3.42	-	3.85	3.85	3.84	-
		Amps	8.4	8.4	8.4	-	9.6	9.6	9.6	-	10.9	10.9	10.9	-	12.4	12.4	12.4	-	14.1	14.0	14.0	-	16.0	16.0	15.9	-	14.1	14.0	14.0	-	16.0	16.0	15.9	-
1200	HI/PR	268	269	271	-	309	310	312	-	352	354	355	-	399	400	402	-	449	450	452	-	503	504	505	-	449	450	452	-	503	504	505	-	
	LO/PR	126	127	130	-	133	135	138	-	139	141	144	-	145	146	149	-	150	152	155	-	157	158	161	-	150	152	155	-	157	158	161	-	
	MBh	36.9	37.4	38.4	40.1	36.5	37.0	38.1	39.7	35.6	36.1	37.2	38.8	34.0	33.9	35.0	35.6	37.2	32.0	32.5	33.6	35.2	30.2	30.7	31.8	33.4	32.0	32.5	33.6	35.2	30.2	30.7	31.8	33.4
1350	S/T	0.81	0.73	0.60	0.46	0.81	0.74	0.61	0.47	1.00	0.76	0.63	0.49	1.00	0.75	0.65	0.51	1.00	0.80	0.67	0.53	1.00	1.00	0.72	0.58	1.00	0.80	0.67	0.53	1.00	1.00	0.72	0.58	
	ΔT	23	21	17	14	23	21	17	13	23	21	17	14	23	21	17	13	22	20	17	13	24	22	18	14	22	20	17	13	24	22	18	14	
	kW	2.18	2.18	2.17	2.19	2.44	2.44	2.44	2.46	2.74	2.74	2.73	2.75	3.06	3.05	3.05	3.07	3.42	3.42	3.41	3.43	3.84	3.84	3.83	3.85	3.42	3.42	3.41	3.43	3.84	3.84	3.83	3.85	
1070	Amps	8.3	8.3	8.3	8.4	9.5	9.5	9.5	9.6	10.9	10.9	10.9	11.0	12.4	12.3	12.3	12.4	14.0	14.0	14.0	14.1	15.9	15.9	15.9	16.0	14.0	14.0	14.0	14.1	15.9	15.9	15.9	16.0	
	HI/PR	266	267	269	273	307	308	310	314	348	349	351	356	395	396	398	400	404	447	448	450	454	500	501	503	508	447	448	450	454	500	501	503	508
	LO/PR	121	123	126	131	129	130	133	138	135	137	140	145	141	142	145	150	152	148	149	152	157	154	156	159	164	148	149	152	157	154	156	159	164
75	1200	MBh	37.6	38.1	39.2	40.8	37.3	37.8	38.9	40.5	36.4	36.9	37.9	39.6	34.8	35.3	36.3	38.0	32.8	33.3	34.4	36.0	31.0	31.5	32.6	34.2	32.8	33.3	34.4	36.0	31.0	31.5	32.6	34.2
		S/T	0.82	0.74	0.61	0.47	0.82	0.75	0.62	0.48	1.00	0.78	0.64	0.50	1.00	0.79	0.66	0.52	1.00	0.82	0.68	0.54	1.00	1.00	0.73	0.59	1.00	0.82	0.68	0.54	1.00	1.00	0.73	0.59
		ΔT	22	20	16	13	22	20	16	13	22	20	16	13	22	20	16	13	21	19	16	12	23	21	17	13	21	19	16	12	23	21	17	13
1350	kW	2.19	2.19	2.18	2.20	2.46	2.45	2.45	2.47	2.75	2.75	2.75	2.77	3.07	3.07	3.07	3.09	3.43	3.43	3.42	3.44	3.85	3.85	3.84	3.86	3.43	3.43	3.42	3.44	3.85	3.85	3.84	3.86	
	Amps	8.4	8.4	8.3	8.4	9.6	9.6	9.6	9.7	10.9	10.9	10.9	11.0	12.4	12.4	12.4	12.5	14.0	14.0	14.0	14.1	16.0	16.0	15.9	16.0	14.0	14.0	14.0	14.1	16.0	16.0	15.9	16.0	
	HI/PR	268	269	271	276	309	311	312	317	353	354	356	360	399	400	402	407	449	450	452	457	503	504	506	510	449	450	452	457	503	504	506	510	
75	1350	LO/PR	126	127	130	135	133	135	138	143	140	141	144	149	145	146	149	155	150	152	155	160	157	158	161	166	150	152	155	160	157	158	161	166

IDB: Entering Indoor Dry Bulb Temperature
 High and low pressures are measured at the liquid and suction service valves.
 Shaded area reflects ACCA (TVA) Rating Conditions.
 kW = Total system power
 Amps = Outdoor unit amps (compressor + fan)

IDB	AIRFLOW	OUTDOOR AMBIENT TEMPERATURE																																									
		65°F						75°F						85°F						95°F						105°F						115°F											
		59	63	67	71	75	79	59	63	67	71	75	79	59	63	67	71	75	79	59	63	67	71	75	79	59	63	67	71	75	79	59	63	67	71	75	79						
80	1070	MBh	36.5	37.0	38.1	39.7	36.2	36.7	37.7	39.4	35.2	35.7	36.8	38.4	33.6	34.1	35.2	36.8	31.7	32.2	33.2	34.9	29.9	30.4	31.4	33.1	31.7	32.2	33.2	34.9	29.9	30.4	31.4	33.1	31.7	32.2	33.2	34.9	29.9	30.4	31.4	33.1	
		S/T	0.90	0.82	0.69	0.55	1.00	0.83	0.70	0.56	1.00	0.85	0.72	0.58	1.00	0.87	0.74	0.60	1.00	1.00	1.00	0.76	0.62	1.00	1.00	0.81	0.67	1.00	1.00	0.76	0.62	1.00	1.00	0.81	0.67	1.00	1.00	0.76	0.62	1.00	1.00	0.81	0.67
		ΔT	28	26	22	19	28	26	22	19	28	26	23	19	28	26	22	19	28	28	26	22	18	29	27	23	20	28	26	22	18	29	27	23	20	28	26	22	18	29	27	23	20
	kW	2.17	2.17	2.16	2.18	2.43	2.43	2.43	2.45	2.73	2.73	2.72	2.74	2.79	3.05	3.05	3.04	3.06	3.41	3.41	3.40	3.42	3.83	3.83	3.82	3.84	3.41	3.41	3.40	3.42	3.83	3.83	3.82	3.84	3.41	3.41	3.40	3.42	3.83	3.83	3.82	3.84	
	Amps	8.3	8.3	8.2	8.3	9.5	9.5	9.5	9.6	10.8	10.8	10.8	10.9	11.0	12.3	12.3	12.3	12.4	13.9	13.9	13.9	14.0	15.9	15.9	15.8	15.9	13.9	13.9	13.9	14.0	15.9	15.9	15.8	15.9	13.9	13.9	13.9	14.0	15.9	15.9	15.8	15.9	
	HI PR	264	265	267	272	305	306	308	313	349	350	351	356	356	395	396	398	403	445	446	448	453	499	500	502	506	445	446	448	453	499	500	502	506	445	446	448	453	499	500	502	506	
	LO PR	122	123	127	132	129	131	134	139	136	137	140	145	145	141	143	146	151	146	148	151	156	153	154	157	163	146	148	151	156	153	154	157	163	146	148	151	156	153	154	157	163	
	MBh	37.0	37.5	38.6	40.2	36.7	37.2	38.3	39.9	35.8	36.3	37.4	39.0	34.2	34.7	35.7	37.4	32.2	32.7	33.7	35.4	30.4	30.9	32.0	33.6	32.2	32.7	33.7	35.4	30.4	30.9	32.0	33.6	32.2	32.7	33.7	35.4	30.4	30.9	32.0	33.6		
	S/T	1.00	0.86	0.72	0.58	1.00	0.86	0.73	0.59	1.00	0.89	0.75	0.61	1.00	0.90	0.77	0.63	1.00	1.00	0.79	0.65	1.00	1.00	0.84	0.71	1.00	1.00	0.79	0.65	1.00	1.00	0.84	0.71	1.00	1.00	0.79	0.65	1.00	1.00	0.84	0.71		
	ΔT	27	25	21	18	27	25	21	18	27	25	22	18	27	25	21	18	27	27	25	21	17	28	26	22	19	27	25	21	17	28	26	22	19	27	25	21	17	28	26	22	19	
	kW	2.18	2.18	2.17	2.19	2.45	2.44	2.44	2.46	2.74	2.74	2.74	2.76	2.76	3.06	3.06	3.06	3.08	3.42	3.42	3.41	3.43	3.84	3.84	3.83	3.85	3.42	3.42	3.41	3.43	3.84	3.84	3.83	3.85	3.42	3.42	3.41	3.43	3.84	3.84	3.83	3.85	
Amps	8.3	8.3	8.3	8.4	9.5	9.5	9.5	9.6	10.9	10.9	10.9	11.0	12.4	12.4	12.4	12.4	12.4	14.0	14.0	14.0	14.0	15.9	15.9	15.9	16.0	14.0	14.0	14.0	14.1	15.9	15.9	15.9	16.0	14.0	14.0	14.0	14.1	15.9	15.9	15.9	16.0		
HI PR	266	267	269	274	307	309	310	315	351	352	354	358	358	397	398	400	405	447	448	450	455	501	502	504	508	447	448	450	455	501	502	504	508	447	448	450	455	501	502	504	508		
LO PR	124	125	128	133	131	133	136	141	138	139	142	147	147	143	144	147	153	148	150	153	158	155	156	159	164	148	150	153	158	155	156	159	164	148	150	153	158	155	156	159	164		

85	1070	MBh	37.1	37.6	38.7	40.3	36.8	37.3	38.3	40.0	35.8	36.3	37.4	39.0	34.2	34.7	35.8	37.4	32.3	32.8	33.8	35.5	30.5	31.0	32.0	33.7	32.3	32.8	33.8	35.5	30.5	31.0	32.0	33.7	32.3	32.8	33.8	35.5	30.5	31.0	32.0	33.7
		S/T	1.00	0.92	0.79	0.65	1.00	0.93	0.80	0.66	1.00	1.00	0.82	0.68	1.00	1.00	0.84	0.70	1.00	1.00	0.86	0.72	1.00	1.00	0.81	0.77	1.00	1.00	0.86	0.72	1.00	1.00	0.81	0.77	1.00	1.00	0.86	0.72	1.00	1.00	0.81	0.77
		ΔT	32	30	26	22	32	30	26	22	32	30	26	23	31	30	26	22	31	31	29	26	22	32	31	27	23	31	29	26	22	32	31	27	23	31	29	26	22	32	31	27
	kW	2.17	2.17	2.17	2.19	2.44	2.44	2.43	2.45	2.74	2.73	2.73	2.75	2.77	3.06	3.05	3.05	3.07	3.41	3.41	3.41	3.43	3.83	3.83	3.83	3.85	3.41	3.41	3.41	3.43	3.83	3.83	3.83	3.85	3.41	3.41	3.41	3.43	3.83	3.83	3.83	3.85
	Amps	8.3	8.3	8.3	8.4	9.5	9.5	9.5	9.6	10.9	10.9	10.8	10.9	11.0	12.3	12.3	12.3	12.4	14.0	14.0	14.0	14.0	15.9	15.9	15.9	16.0	14.0	14.0	14.0	14.0	15.9	15.9	15.9	16.0	14.0	14.0	14.0	14.0	15.9	15.9	15.9	16.0
	HI PR	265	266	268	273	307	308	310	314	350	351	353	357	357	396	397	399	404	446	448	449	454	500	501	503	507	446	448	449	454	500	501	503	507	446	448	449	454	500	501	503	507
	LO PR	124	125	128	133	131	133	136	141	137	139	142	147	147	143	144	147	152	148	150	153	158	155	156	159	164	148	150	153	158	155	156	159	164	148	150	153	158	155	156	159	164
	MBh	37.6	38.1	39.2	40.8	37.3	37.8	38.9	40.5	36.4	36.9	38.0	39.6	34.8	35.3	36.4	38.0	32.8	33.3	34.4	36.0	31.0	31.5	32.6	34.2	32.8	33.3	34.4	36.0	31.0	31.5	32.6	34.2	32.8	33.3	34.4	36.0	31.0	31.5	32.6	34.2	
	S/T	1.00	0.95	0.82	0.68	1.00	0.96	0.83	0.69	1.00	1.00	0.85	0.71	1.00	1.00	0.87	0.73	1.00	1.00	0.89	0.75	1.00	1.00	0.80	0.80	1.00	1.00	0.89	0.75	1.00	1.00	0.80	0.80	1.00	1.00	0.89	0.75	1.00	1.00	0.80	0.80	
	ΔT	31	29	25	21	31	29	25	21	31	29	25	22	31	30	28	24	31	30	28	25	21	31	30	26	22	30	28	25	21	31	30	26	22	30	28	25	21	31	30	26	22
	kW	2.19	2.18	2.18	2.20	2.45	2.45	2.44	2.46	2.75	2.74	2.74	2.76	2.76	3.07	3.06	3.06	3.08	3.42	3.42	3.42	3.44	3.84	3.84	3.84	3.86	3.42	3.42	3.42	3.44	3.84	3.84	3.84	3.86	3.42	3.42	3.42	3.44	3.84	3.84	3.84	3.86
Amps	8.4	8.3	8.3	8.4	9.6	9.6	9.6	9.6	10.9	10.9	10.9	11.0	12.4	12.4	12.4	12.4	12.4	14.0	14.0	14.0	14.1	15.9	15.9	15.9	16.0	14.0	14.0	14.0	14.1	15.9	15.9	15.9	16.0	14.0	14.0	14.0	14.1	15.9	15.9	15.9	16.0	
HI PR	267	269	270	275	309	310	312	316	352	353	355	359	359	398	399	401	406	448	450	451	456	502	503	505	509	448	450	451	456	502	503	505	509	448	450	451	456	502	503	505	509	
LO PR	126	127	130	135	133	134	137	143	139	141	144	149	149	145	146	149	154	150	151	155	160	157	158	161	166	150	151	155	160	157	158	161	166	150	151	155	160	157	158	161	166	
MBh	38.4	38.9	40.0	41.6	38.1	38.6	39.7	41.3	37.2	37.7	38.7	40.4	35.5	36.0	37.1	38.8	33.6	34.1	35.2	36.8	31.8	32.3	33.4	35.0	33.6	34.1	35.2	36.8	31.8	32.3	33.4	35.0	33.6	34.1	35.2	36.8	31.8	32.3	33.4	35.0		
S/T	1.00	0.97	0.83	0.69	1.00	1.00	0.84	0.70	1.00	1.00	0.86	0.72	1.00	1.00	0.88	0.74	1.00	1.00	0.90	0.77	1.00	1.00	0.80	0.82	1.00	1.00	0.90	0.77	1.00	1.00	0.80	0.82	1.00	1.00	0.90	0.77	1.00	1.00	0.80	0.82		
ΔT	30	28	24	21	30	28	24	20	30	28	24	21	30	28	24	20	30	29	27	24	20	31	29	25	21	29	27	24	20	31	29	25	21	29	27	24	20	31	29	25	21	
kW	2.20	2.20	2.19	2.21	2.46	2.46	2.46	2.48	2.76	2.76	2.75	2.77	2.77	3.08	3.08	3.07	3.09	3.44	3.43	3.43	3.45	3.86	3.85	3.85	3.87	3.44	3.43	3.43	3.45	3.86	3.85	3.85	3.87	3.44	3.43	3.43	3.45	3.86	3.85	3.85	3.87	
Amps	8.4	8.4	8.4	8.5	9.6	9.6	9.6	9.7	11.0	11.0	10.9	11.0	12.4	12.4	12.4	12.5	14.1	14.1	14.1	14.1	16.0	16.0	16.0	16.1	14.1	14.1	14.0	14.1	16.0													

		OUTDOOR AMBIENT TEMPERATURE																										
		65°F				75°F				85°F				95°F				105°F				115°F						
		59	63	67	71	59	63	67	71	59	63	67	71	59	63	67	71	59	63	67	71	59	63	67	71			
70	1300	MBh	40.2	40.8	41.9	-	39.8	40.4	41.6	-	38.8	39.4	40.6	-	37.0	37.6	38.8	-	34.8	35.4	36.6	-	32.9	33.4	34.6	-		
		S/T	0.66	0.59	0.45	-	0.67	0.59	0.46	-	0.69	0.62	0.48	-	1.00	0.64	0.50	-	1.00	0.66	0.52	-	1.00	0.71	0.58	-		
		ΔT	18	17	13	-	18	16	13	-	19	17	13	-	18	16	13	-	18	16	13	-	19	17	14	-		
		KW	2.44	2.44	2.44	-	2.72	2.72	2.72	-	3.03	3.03	3.03	-	3.37	3.37	3.36	-	3.74	3.74	3.73	-	4.18	4.18	4.17	-		
		Amps	9.0	9.0	8.9	-	10.2	10.2	10.2	-	11.7	11.6	11.6	-	13.2	13.2	13.2	-	14.9	14.9	14.9	-	16.9	16.9	16.9	-		
		1400	HI/PR	254	255	257	-	294	295	297	-	335	337	338	-	380	381	383	-	429	430	431	-	480	481	483	-	
	LO/PR		124	125	129	-	131	133	136	-	138	139	143	-	143	145	148	-	149	150	153	-	156	157	160	-		
	MBh		40.6	41.1	42.3	-	40.2	40.8	42.0	-	39.2	39.7	40.9	-	37.4	38.0	39.1	-	35.2	35.8	37.0	-	33.2	33.8	35.0	-		
	S/T		0.69	0.61	0.48	-	0.69	0.62	0.48	-	0.72	0.64	0.51	-	1.00	0.66	0.53	-	1.00	0.68	0.55	-	1.00	0.73	0.60	-		
	ΔT		18	16	13	-	18	16	13	-	18	16	13	-	17	15	12	-	17	16	12	-	19	17	13	-		
		1575	KW	2.46	2.46	2.46	-	2.74	2.74	2.74	-	3.04	3.04	3.04	-	3.39	3.38	3.38	-	3.76	3.76	3.75	-	4.20	4.20	4.19	-	
	Amps		9.1	9.0	9.0	-	10.3	10.3	10.3	-	11.7	11.7	11.7	-	13.3	13.3	13.2	-	15.0	15.0	15.0	-	17.0	17.0	17.0	-		
	HI/PR		258	259	260	-	297	298	300	-	339	340	342	-	384	385	387	-	432	433	435	-	484	485	487	-		
	LO/PR		127	129	132	-	135	136	140	-	141	143	146	-	147	148	152	-	152	154	157	-	159	161	164	-		
	MBh		41.3	41.9	43.1	-	41.0	41.5	42.7	-	39.9	40.5	41.7	-	38.2	38.7	39.9	-	36.0	36.5	37.7	-	34.0	34.6	35.7	-		
S/T	0.71	0.63	0.50	-	0.71	0.64	0.50	-	0.74	0.66	0.53	-	1.00	0.68	0.55	-	1.00	0.70	0.57	-	1.00	0.75	0.62	-				
ΔT	17	15	12	-	17	15	12	-	17	15	12	-	17	15	12	-	17	15	11	-	18	16	13	-				
KW	2.46	2.46	2.46	-	2.74	2.74	2.74	-	3.05	3.05	3.04	-	3.39	3.38	3.38	-	3.76	3.76	3.75	-	4.20	4.20	4.19	-				
Amps	9.1	9.0	9.0	-	10.3	10.3	10.3	-	11.7	11.7	11.7	-	13.3	13.3	13.2	-	15.0	15.0	15.0	-	17.0	17.0	17.0	-				
HI/PR	258	259	260	-	297	298	300	-	339	340	342	-	384	385	387	-	432	433	435	-	484	485	487	-				
LO/PR	127	129	132	-	135	136	140	-	141	143	146	-	147	148	152	-	152	154	157	-	159	161	164	-				
75	1300	MBh	40.2	40.8	42.0	43.8	39.9	40.4	41.6	43.4	38.8	39.4	40.6	42.4	37.0	37.6	38.8	40.6	34.9	35.4	36.6	38.4	32.9	33.4	34.6	36.4		
		S/T	0.79	0.72	0.58	0.44	0.80	0.72	0.59	0.44	0.47	1.00	0.75	0.61	0.47	1.00	0.77	0.63	0.49	1.00	0.79	0.65	0.51	1.00	1.00	0.70	0.56	
		ΔT	22	20	17	14	22	20	17	14	22	20	17	14	22	20	20	16	13	22	20	16	13	22	21	18	14	
		KW	2.44	2.44	2.44	2.46	2.72	2.72	2.71	2.73	2.74	2.73	3.03	3.03	3.02	3.04	3.37	3.36	3.36	3.38	3.74	3.74	3.73	3.75	4.18	4.18	4.17	4.19
		Amps	9.0	9.0	8.9	9.0	10.2	10.2	10.2	10.3	10.3	11.6	11.6	11.6	11.7	13.2	13.2	13.2	13.2	14.9	14.9	14.9	15.0	16.9	16.9	16.9	17.0	
		1400	HI/PR	254	255	257	261	294	295	297	301	336	337	338	343	380	382	383	388	429	430	432	436	480	481	483	488	
	LO/PR		124	126	129	134	131	133	136	141	138	139	143	148	148	143	145	148	153	149	150	153	159	156	157	160	165	
	MBh		40.6	41.2	42.3	44.2	40.2	40.8	42.0	43.8	43.8	39.2	39.8	40.9	42.8	37.4	38.0	39.2	41.0	35.2	35.8	37.0	38.8	33.3	33.8	35.0	36.8	
	S/T		0.82	0.74	0.60	0.46	0.82	0.75	0.61	0.47	0.47	1.00	0.77	0.64	0.49	1.00	0.79	0.65	0.51	1.00	0.81	0.68	0.53	1.00	1.00	0.73	0.59	
	ΔT		22	20	17	13	22	20	16	13	22	20	17	13	22	20	20	16	13	21	20	16	13	22	21	17	14	
		1575	KW	2.45	2.45	2.44	2.47	2.73	2.73	2.74	2.74	3.04	3.04	3.03	3.05	3.37	3.37	3.37	3.39	3.75	3.75	3.74	3.76	4.19	4.18	4.18	4.20	
	Amps		9.0	9.0	9.0	9.1	10.3	10.3	10.2	10.3	10.3	11.7	11.7	11.7	11.7	13.2	13.2	13.2	13.3	14.9	14.9	14.9	15.0	16.9	16.9	16.9	17.0	
	HI/PR		256	257	258	263	295	296	298	303	303	337	338	340	344	382	383	385	389	430	431	433	437	482	483	485	489	
	LO/PR		125	127	130	135	133	134	137	142	142	139	141	144	149	145	146	149	154	150	152	155	160	157	158	161	167	
	MBh		41.4	41.9	43.1	44.9	41.0	41.6	42.7	44.6	44.6	40.0	40.5	41.7	43.5	38.2	38.7	39.9	41.7	36.0	36.6	37.7	39.6	34.0	34.6	35.8	37.6	
S/T	0.84	0.76	0.62	0.48	1.00	0.77	0.63	0.49	0.49	1.00	0.79	0.66	0.51	1.00	0.81	0.68	0.53	1.00	0.83	0.70	0.55	1.00	1.00	0.75	0.61			
ΔT	21	19	16	12	21	19	16	12	21	19	16	12	21	19	19	16	12	20	19	15	12	22	20	16	13			
KW	2.46	2.46	2.46	2.48	2.74	2.74	2.73	2.75	2.75	3.05	3.05	3.04	3.06	3.39	3.38	3.38	3.40	3.76	3.76	3.75	3.77	4.20	4.20	4.20	4.21			
Amps	9.1	9.0	9.0	9.1	10.3	10.3	10.3	10.4	10.4	11.7	11.7	11.7	11.8	13.3	13.3	13.2	13.3	15.0	15.0	15.0	15.1	17.0	17.0	17.0	17.1			
HI/PR	258	259	261	265	298	299	300	305	305	339	340	342	346	384	385	387	391	432	433	435	440	484	485	487	491			
LO/PR	128	129	132	137	135	136	140	145	145	141	143	146	151	147	148	152	157	152	154	157	162	159	161	164	169			

IDB: Entering Indoor Dry Bulb Temperature
High and low pressures are measured at the liquid and suction service valves.
kW = Total system power
Amps = Outdoor unit amps (compressor + fan)

Shaded area reflects ACCA (TVA) Rating Conditions.

Shaded area reflects ACCA (TVA) Rating Conditions.

IDB	AIRFLOW	OUTDOOR AMBIENT TEMPERATURE																																																																																																									
		65°F								75°F								85°F								95°F								105°F								115°F																																																																	
		59	63	67	71	75	79	83	87	59	63	67	71	75	79	83	87	59	63	67	71	75	79	83	87	59	63	67	71	75	79	83	87	59	63	67	71	75	79	83	87																																																																		
80	1300	40.4	41.0	42.2	44.0	40.1	40.6	41.8	43.6	39.0	39.6	40.8	42.6	37.3	37.8	39.0	40.8	35.1	35.6	36.8	38.6	33.1	33.6	34.8	36.6	1.00	0.84	0.71	0.56	1.00	0.85	0.71	0.57	1.00	0.87	0.74	0.59	1.00	1.00	1.00	0.76	0.61	1.00	1.00	1.00	0.78	0.64	1.00	1.00	0.83	0.69	26	24	21	18	26	24	21	18	26	25	21	18	26	24	21	18	21	18	26	24	21	17	27	25	22	18	3.74	3.74	3.74	3.74	3.74	3.74	3.74	3.74	3.74	3.74	3.74	3.74	3.74	3.74	3.74	3.74	3.74	3.74	3.74	3.74	3.74	3.74	3.74	3.74	3.74	3.74				
	Amps	9.0	9.0	8.9	9.0	10.2	10.2	10.2	10.3	11.7	11.6	11.6	11.7	11.8	13.2	13.2	13.2	13.3	14.9	14.9	14.9	14.9	16.9	16.9	16.9	17.0																																																																																	
	HI PR	255	256	258	262	294	296	297	302	336	337	339	343	381	382	384	388	429	430	432	437	481	482	484	488																																																																																		
	LO PR	125	126	129	134	132	133	137	142	138	140	143	148	144	145	149	154	149	151	154	159	156	158	161	166																																																																																		
	80	1400	40.8	41.4	42.5	44.4	40.4	41.0	42.2	44.0	39.4	40.0	41.2	43.0	37.6	38.2	39.4	41.2	35.4	36.0	37.2	39.0	33.5	34.0	35.2	37.0	1.00	0.86	0.73	0.59	1.00	0.87	0.74	0.59	1.00	0.90	0.76	0.62	1.00	1.00	1.00	0.78	0.64	1.00	1.00	1.00	0.80	0.66	1.00	1.00	0.85	0.71	26	24	21	17	26	24	21	17	26	24	21	17	26	24	21	17	20	17	25	24	20	17	26	25	21	18	3.75	3.75	3.75	3.75	3.75	3.75	3.75	3.75	3.75	3.75	3.75	3.75	3.75	3.75	3.75	3.75	3.75	3.75	3.75	3.75	3.75	3.75	3.75	3.75	3.75	3.75			
	Amps	9.0	9.0	8.9	9.0	10.3	10.3	10.2	10.3	11.7	11.7	11.7	11.8	13.2	13.2	13.2	13.3	14.9	14.9	14.9	14.9	15.0	15.0	15.0	15.0	17.0																																																																																	
	HI PR	256	257	259	263	296	297	299	303	337	338	340	345	382	383	385	389	431	432	433	438	482	483	485	489																																																																																		
LO PR	126	127	130	136	133	135	138	143	140	141	144	150	145	147	150	155	151	152	155	160	157	159	162	167																																																																																			
85	1575	41.6	42.1	43.3	45.1	41.2	41.8	43.0	44.8	40.2	40.7	41.9	43.7	38.4	38.9	40.1	41.9	36.2	36.8	38.0	39.8	34.2	34.8	36.0	37.8	1.00	0.88	0.75	0.61	1.00	0.89	0.76	0.61	1.00	0.92	0.78	0.64	1.00	1.00	1.00	0.80	0.66	1.00	1.00	1.00	0.82	0.68	1.00	1.00	0.87	0.73	25	23	20	16	25	23	20	16	25	23	20	16	25	23	20	16	19	16	26	24	20	17	26	24	20	17	3.76	3.76	3.76	3.76	3.76	3.76	3.76	3.76	3.76	3.76	3.76	3.76	3.76	3.76	3.76	3.76	3.76	3.76	3.76	3.76	3.76	3.76	3.76	3.76	3.76	3.76	3.76			
Amps	9.1	9.0	9.0	9.1	10.3	10.3	10.3	10.4	11.7	11.7	11.7	11.8	13.3	13.3	13.3	13.3	14.9	14.9	14.9	14.9	15.1	15.0	15.0	15.1	17.1																																																																																		
HI PR	258	259	261	266	298	299	301	305	340	341	342	347	384	386	387	392	433	434	436	440	484	485	487	492																																																																																			
LO PR	128	130	133	138	135	137	140	145	142	144	147	152	148	149	152	157	153	154	158	163	160	161	164	169																																																																																			
1300	1300	41.1	41.7	42.8	44.7	40.7	41.3	42.5	44.3	39.7	40.3	41.5	43.3	37.9	38.5	39.7	41.5	35.7	36.3	37.5	39.3	33.8	34.3	35.5	37.3	1.00	0.94	0.81	0.66	1.00	0.95	0.81	0.67	1.00	1.00	0.84	0.70	1.00	1.00	1.00	0.86	0.71	1.00	1.00	1.00	0.88	0.74	1.00	1.00	1.00	0.79	30	28	25	21	30	28	25	21	30	28	25	21	30	28	25	21	24	21	29	27	24	20	31	29	25	22	3.77	3.77	3.77	3.77	3.77	3.77	3.77	3.77	3.77	3.77	3.77	3.77	3.77	3.77	3.77	3.77	3.77	3.77	3.77	3.77	3.77	3.77	3.77	3.77	3.77	3.77	3.77			
	Amps	9.0	9.0	9.0	9.1	10.3	10.3	10.2	10.3	11.7	11.7	11.6	11.7	11.8	13.2	13.2	13.2	13.3	14.9	14.9	14.9	15.0	16.9	16.9	16.9	17.0																																																																																	
	HI PR	256	257	259	263	296	297	299	303	337	338	340	345	382	383	385	389	430	432	433	438	482	483	485	489																																																																																		
	LO PR	126	128	131	136	134	135	138	144	140	142	145	150	146	147	150	156	151	153	156	161	158	159	163	168																																																																																		
	1400	1400	41.5	42.0	43.2	45.0	41.1	41.7	42.9	44.7	40.1	40.6	41.8	43.6	38.3	38.9	40.0	41.9	36.1	36.7	37.9	39.7	34.1	34.7	35.9	37.7	1.00	0.97	0.83	0.69	1.00	1.00	0.84	0.69	1.00	1.00	0.86	0.72	1.00	1.00	1.00	0.88	0.74	1.00	1.00	1.00	0.90	0.76	1.00	1.00	1.00	0.81	29	27	24	21	29	27	24	21	29	28	24	21	29	27	24	20	24	20	29	27	24	20	30	28	25	21	3.78	3.78	3.78	3.78	3.78	3.78	3.78	3.78	3.78	3.78	3.78	3.78	3.78	3.78	3.78	3.78	3.78	3.78	3.78	3.78	3.78	3.78	3.78	3.78	3.78	3.78	3.78		
		Amps	9.0	9.0	9.0	9.1	10.3	10.3	10.3	10.4	11.7	11.7	11.7	11.8	13.2	13.2	13.2	13.3	15.0	15.0	14.9	14.9	15.0	17.0	17.0	16.9	17.0																																																																																
		HI PR	257	258	260	264	297	298	300	304	339	340	341	346	383	384	386	391	432	433	435	439	483	484	486	491																																																																																	
LO PR		128	129	132	137	135	137	140	145	142	143	146	151	147	149	152	157	152	154	157	162	159	161	164	169																																																																																		
1575		1575	42.2	42.8	44.0	45.8	41.9	42.4	43.6	45.4	40.8	41.4	42.6	44.4	39.1	39.6	40.8	42.6	36.9	37.4	38.6	40.4	34.9	35.4	36.6	38.4	1.00	0.99	0.85	0.71	1.00	1.00	0.86	0.71	1.00	1.00	0.88	0.74	1.00	1.00	1.00	0.90	0.76	1.00	1.00	1.00	0.78	0.64	1.00	1.00	1.00	0.83	28	26	23	20	28	26	23	20	28	27	23	20	28	26	23	20	28	26	23	20	29	27	24	20	29	27	24	20	3.79	3.79	3.79	3.79	3.79	3.79	3.79	3.79	3.79	3.79	3.79	3.79	3.79	3.79	3.79	3.79	3.79	3.79	3.79	3.79	3.79	3.79	3.79	3.79	3.79	3.79	3.79
		Amps	9.1	9.1	9.1	9.1	10.4	10.3	10.3	10.4	11.8	11.8	11.7	11.8	13.3	13.3	13.3	13.4	15.0	15.0	15.0	15.0	15.1	17.0	17.0	17.1																																																																																	
		HI PR	259	261	262	267	299	300	302	306	341	342	344	348	386	387	389	393	434	435	437	441	486	487	488	493																																																																																	
	LO PR	130	131	135	140	137	139	142	147	144	145	148	154	149	151	154	159	155	156	159	165	162	163	166	171																																																																																		

IDB: Entering Indoor Dry Bulb Temperature
 High and low pressures are measured at the liquid and suction service valves.
 Shaded area reflects AHRI Rating Conditions.
 kW = Total system power
 Amps = Outdoor unit amps (compressor + fan)

IDB	AIRFLOW	OUTDOOR AMBIENT TEMPERATURE												ENTERING INDOOR WET BULB TEMPERATURE													
		65°F				75°F				85°F				95°F				105°F				115°F					
		59	63	67	71	59	63	67	71	59	63	67	71	59	63	67	71	59	63	67	71	59	63	67	71		
70	1400	MBh	45.9	46.5	47.9	50.0	45.5	46.1	47.5	49.6	44.3	44.9	46.3	48.4	42.2	42.9	44.2	46.3	39.7	40.4	41.7	43.8	37.4	38.1	39.4	41.5	
		S/T	0.64	0.56	0.42	0.41	0.65	0.57	0.43	0.46	0.67	0.59	0.45	0.47	0.69	0.61	0.47	0.49	1.00	0.64	0.50	0.48	1.00	0.69	0.55	0.58	
	1560	ΔT	19	17	14	14	19	17	14	14	19	17	14	14	19	17	14	14	19	17	14	14	20	18	15	15	
		kW	2.79	2.78	2.78	2.80	3.11	3.10	3.10	3.12	3.46	3.46	3.46	3.47	3.85	3.85	3.84	3.84	4.28	4.28	4.28	4.30	4.79	4.79	4.78	4.81	
	1800	Amps	10.2	10.2	10.2	10.3	11.7	11.7	11.6	11.7	13.3	13.3	13.3	13.4	15.1	15.1	15.0	15.1	17.1	17.0	17.0	17.1	19.4	19.4	19.3	19.4	
		HI/PR	256	257	259	263	296	297	299	301	338	339	341	343	384	385	387	388	433	434	436	437	485	486	488	490	
	75	1400	LO/PR	122	124	127	132	130	131	134	140	136	138	141	146	142	143	146	152	147	149	152	157	154	156	159	164
			MBh	46.4	47.0	48.4	50.5	46.0	46.6	48.0	50.1	44.8	45.4	46.8	48.9	42.7	43.4	44.7	46.8	40.2	40.9	42.2	44.3	37.9	38.6	39.9	42.0
		1560	S/T	0.69	0.61	0.47	0.46	0.69	0.62	0.48	0.46	0.72	0.64	0.50	0.54	1.00	0.66	0.52	0.56	1.00	0.69	0.54	0.58	1.00	0.74	0.60	0.64
			ΔT	18	16	13	13	18	16	13	13	18	16	13	13	18	16	13	13	18	16	13	13	19	17	14	14
1800		kW	2.82	2.81	2.81	2.82	3.14	3.14	3.13	3.13	3.48	3.48	3.47	3.49	3.87	3.86	3.86	3.86	4.30	4.30	4.29	4.31	4.80	4.80	4.80	4.81	
		Amps	10.3	10.3	10.3	10.3	11.8	11.8	11.8	11.8	13.4	13.4	13.4	13.4	15.2	15.2	15.2	15.2	17.2	17.2	17.2	17.2	19.5	19.5	19.5	19.6	
1400		HI/PR	260	261	263	268	300	302	303	304	343	344	346	346	388	389	391	391	437	438	440	440	489	491	492	493	
		LO/PR	126	128	131	136	134	135	138	144	140	142	145	145	146	147	150	156	151	153	156	161	158	159	163	168	
75		1400	MBh	45.9	46.6	47.9	50.0	45.5	46.1	47.5	49.6	44.3	45.0	46.3	48.4	42.2	42.9	44.2	46.3	39.7	40.4	41.7	43.8	37.4	38.1	39.5	41.5
			S/T	0.77	0.69	0.55	0.41	0.78	0.70	0.56	0.46	1.00	0.73	0.59	0.44	1.00	0.75	0.61	0.46	1.00	0.77	0.63	0.48	1.00	1.00	0.68	0.54
	1560	ΔT	23	21	18	14	23	21	18	14	23	21	18	14	23	21	18	14	22	20	17	14	24	22	19	15	
		kW	2.79	2.78	2.78	2.80	3.11	3.10	3.10	3.12	3.46	3.46	3.45	3.48	3.85	3.85	3.84	3.87	4.28	4.28	4.27	4.30	4.79	4.79	4.78	4.81	
	1800	Amps	10.2	10.2	10.2	10.3	11.7	11.6	11.6	11.7	13.3	13.3	13.3	13.4	15.1	15.1	15.0	15.1	17.0	17.0	17.0	17.1	19.4	19.4	19.3	19.4	
		HI/PR	256	257	259	263	296	297	299	304	339	340	341	346	384	385	387	391	433	434	436	440	485	486	488	493	
	1400	LO/PR	122	124	127	132	130	131	134	140	136	138	141	146	142	143	146	152	147	149	152	157	154	156	159	164	
		MBh	46.4	47.1	48.4	50.5	46.0	46.6	48.0	50.1	44.8	45.5	46.8	48.9	42.7	43.4	44.7	46.8	40.2	40.9	42.2	44.3	37.9	38.6	40.0	42.0	
	1560	S/T	0.82	0.74	0.60	0.46	0.83	0.75	0.61	0.46	1.00	0.78	0.64	0.49	1.00	0.80	0.66	0.51	1.00	0.82	0.68	0.53	1.00	1.00	0.73	0.58	
		ΔT	22	20	17	13	22	20	17	13	22	20	17	14	22	20	17	13	22	20	17	13	23	21	18	14	
1800	kW	2.80	2.80	2.79	2.81	3.12	3.12	3.11	3.14	3.48	3.47	3.47	3.49	3.86	3.86	3.86	3.88	4.30	4.29	4.29	4.31	4.80	4.80	4.79	4.82		
	Amps	10.3	10.2	10.2	10.3	11.7	11.7	11.7	11.8	13.4	13.3	13.3	13.4	15.1	15.1	15.1	15.2	17.1	17.1	17.1	17.2	19.4	19.4	19.4	19.5		
1400	HI/PR	258	259	261	265	298	299	301	305	340	341	343	348	386	387	389	393	435	436	438	442	487	488	490	494		
	LO/PR	124	125	129	134	131	133	136	141	138	139	142	148	143	145	148	153	149	150	153	159	156	157	160	165		
1560	MBh	47.3	48.0	49.3	51.4	46.9	47.6	48.9	51.0	45.7	46.4	47.7	49.8	43.7	44.3	45.7	47.8	41.1	41.8	43.2	45.2	38.8	39.5	40.9	43.0		
	S/T	0.86	0.78	0.64	0.50	1.00	0.79	0.65	0.50	1.00	0.82	0.68	0.53	1.00	0.84	0.70	0.55	1.00	0.86	0.72	0.57	1.00	1.00	0.77	0.62		
1800	ΔT	21	19	16	12	21	19	16	12	21	19	16	13	21	19	16	12	21	19	15	12	22	20	17	13		
	kW	2.82	2.81	2.81	2.83	3.14	3.13	3.13	3.15	3.49	3.49	3.49	3.51	3.88	3.88	3.87	3.90	4.31	4.31	4.30	4.33	4.82	4.82	4.81	4.84		
1400	Amps	10.3	10.3	10.3	10.4	11.8	11.8	11.8	11.9	13.4	13.4	13.4	13.5	15.2	15.2	15.2	15.3	17.2	17.2	17.1	17.3	19.5	19.5	19.5	19.6		
	HI/PR	260	261	263	268	301	302	304	308	343	344	346	350	388	389	391	396	437	438	440	445	490	491	493	497		
1560	LO/PR	126	128	131	136	134	135	138	144	140	142	145	150	146	147	150	156	151	153	156	161	158	159	163	168		

IDB: Entering Indoor Dry Bulb Temperature
 High and low pressures are measured at the liquid and suction service valves.
 Shaded area reflects ACCA (TVA) Rating Conditions.
 kW = Total system power
 Amps = Outdoor unit amps (compressor + fan)

		OUTDOOR AMBIENT TEMPERATURE																																																																																																																																																																																																																																																																																																																																																																																																																																																																																																																																																																																																																																																																																																																																																																																																																																																																																																																																																																																																																																																																																																																																																																																																																																																																																																																																																																																																																																
		65°F										75°F										85°F										95°F										105°F										115°F																																																																																																																																																																																																																																																																																																																																																																																																																																																																																																																																																																																																																																																																																																																																																																																																																																																																																																																																																																																																																																																																																																																																																																																																																																																																																																																																																																														
		IDB	AIRFLOW	59	63	67	71	75	79	83	87	91	95	99	103	107	111	115	119	123	127	131	135	139	143	147	151	155	159	163	167	171	175	179	183	187	191	195	199	203	207	211	215	219	223	227	231	235	239	243	247	251	255	259	263	267	271	275	279	283	287	291	295	299	303	307	311	315	319	323	327	331	335	339	343	347	351	355	359	363	367	371	375	379	383	387	391	395	399	403	407	411	415	419	423	427	431	435	439	443	447	451	455	459	463	467	471	475	479	483	487	491	495	499	503	507	511	515	519	523	527	531	535	539	543	547	551	555	559	563	567	571	575	579	583	587	591	595	599	603	607	611	615	619	623	627	631	635	639	643	647	651	655	659	663	667	671	675	679	683	687	691	695	699	703	707	711	715	719	723	727	731	735	739	743	747	751	755	759	763	767	771	775	779	783	787	791	795	799	803	807	811	815	819	823	827	831	835	839	843	847	851	855	859	863	867	871	875	879	883	887	891	895	899	903	907	911	915	919	923	927	931	935	939	943	947	951	955	959	963	967	971	975	979	983	987	991	995	999	1003	1007	1011	1015	1019	1023	1027	1031	1035	1039	1043	1047	1051	1055	1059	1063	1067	1071	1075	1079	1083	1087	1091	1095	1099	1103	1107	1111	1115	1119	1123	1127	1131	1135	1139	1143	1147	1151	1155	1159	1163	1167	1171	1175	1179	1183	1187	1191	1195	1199	1203	1207	1211	1215	1219	1223	1227	1231	1235	1239	1243	1247	1251	1255	1259	1263	1267	1271	1275	1279	1283	1287	1291	1295	1299	1303	1307	1311	1315	1319	1323	1327	1331	1335	1339	1343	1347	1351	1355	1359	1363	1367	1371	1375	1379	1383	1387	1391	1395	1399	1403	1407	1411	1415	1419	1423	1427	1431	1435	1439	1443	1447	1451	1455	1459	1463	1467	1471	1475	1479	1483	1487	1491	1495	1499	1503	1507	1511	1515	1519	1523	1527	1531	1535	1539	1543	1547	1551	1555	1559	1563	1567	1571	1575	1579	1583	1587	1591	1595	1599	1603	1607	1611	1615	1619	1623	1627	1631	1635	1639	1643	1647	1651	1655	1659	1663	1667	1671	1675	1679	1683	1687	1691	1695	1699	1703	1707	1711	1715	1719	1723	1727	1731	1735	1739	1743	1747	1751	1755	1759	1763	1767	1771	1775	1779	1783	1787	1791	1795	1799	1803	1807	1811	1815	1819	1823	1827	1831	1835	1839	1843	1847	1851	1855	1859	1863	1867	1871	1875	1879	1883	1887	1891	1895	1899	1903	1907	1911	1915	1919	1923	1927	1931	1935	1939	1943	1947	1951	1955	1959	1963	1967	1971	1975	1979	1983	1987	1991	1995	1999	2003	2007	2011	2015	2019	2023	2027	2031	2035	2039	2043	2047	2051	2055	2059	2063	2067	2071	2075	2079	2083	2087	2091	2095	2099	2103	2107	2111	2115	2119	2123	2127	2131	2135	2139	2143	2147	2151	2155	2159	2163	2167	2171	2175	2179	2183	2187	2191	2195	2199	2203	2207	2211	2215	2219	2223	2227	2231	2235	2239	2243	2247	2251	2255	2259	2263	2267	2271	2275	2279	2283	2287	2291	2295	2299	2303	2307	2311	2315	2319	2323	2327	2331	2335	2339	2343	2347	2351	2355	2359	2363	2367	2371	2375	2379	2383	2387	2391	2395	2399	2403	2407	2411	2415	2419	2423	2427	2431	2435	2439	2443	2447	2451	2455	2459	2463	2467	2471	2475	2479	2483	2487	2491	2495	2499	2503	2507	2511	2515	2519	2523	2527	2531	2535	2539	2543	2547	2551	2555	2559	2563	2567	2571	2575	2579	2583	2587	2591	2595	2599	2603	2607	2611	2615	2619	2623	2627	2631	2635	2639	2643	2647	2651	2655	2659	2663	2667	2671	2675	2679	2683	2687	2691	2695	2699	2703	2707	2711	2715	2719	2723	2727	2731	2735	2739	2743	2747	2751	2755	2759	2763	2767	2771	2775	2779	2783	2787	2791	2795	2799	2803	2807	2811	2815	2819	2823	2827	2831	2835	2839	2843	2847	2851	2855	2859	2863	2867	2871	2875	2879	2883	2887	2891	2895	2899	2903	2907	2911	2915	2919	2923	2927	2931	2935	2939	2943	2947	2951	2955	2959	2963	2967	2971	2975	2979	2983	2987	2991	2995	2999	3003	3007	3011	3015	3019	3023	3027	3031	3035	3039	3043	3047	3051	3055	3059	3063	3067	3071	3075	3079	3083	3087	3091	3095	3099	3103	3107	3111	3115	3119	3123	3127	3131	3135	3139	3143	3147	3151	3155	3159	3163	3167	3171	3175	3179	3183	3187	3191	3195	3199	3203	3207	3211	3215	3219	3223	3227	3231	3235	3239	3243	3247	3251	3255	3259	3263	3267	3271	3275	3279	3283	3287	3291	3295	3299	3303	3307	3311	3315	3319	3323	3327	3331	3335	3339	3343	3347	3351	3355	3359	3363	3367	3371	3375	3379	3383	3387	3391	3395	3399	3403	3407	3411	3415	3419	3423	3427	3431	3435	3439	3443	3447	3451	3455	3459	3463	3467	3471	3475	3479	3483	3487	3491	3495	3499	3503	3507	3511	3515	3519	3523	3527	3531	3535	3539	3543	3547	3551	3555	3559	3563	3567	3571	3575	3579	3583	3587	3591	3595	3599	3603	3607	3611	3615	3619	3623	3627	3631	3635	3639	3643	3647	3651	3655	3659	3663	3667	3671	3675	3679	3683	3687	3691	3695	3699	3703	3707	3711	3715	3719	3723	3727	3731	3735	3739	3743	3747	3751	3755	3759	3763	3767	3771	3775	3779	3783	3787	3791	3795	3799	3803	3807	3811	3815	3819	3823	3827	3831	3835	3839	3843	3847	3851	3855	3859	3863	3867	3871	3875	3879	3883	3887	3891	3895	3899	3903	3907	3911	3915	3919	3923	3927	3931	3935	3939	3943	3947	3951	3955	3959	3963	3967	3971	3975	3979	3983	3987	3991	3995	3999	4003	4007	4011	4015	4019	4023	4027	4031	4035	4039	4043	4047	4051	4055	4059	4063	4067	4071	4075	4079	4083	4087	4091	4095	4099	4103	4107	4111	4115	4119	4123	4127	4131	4135	4139	4143	4147	4151	4155	4159	4163	4167	4171	4175	4179	4183	4187	4191	4195	4199	4203	4207	4211	4215	4219	4223	4227	4231	4235	4239	4243	4247	4251	4255	4259	4263	4267	4271	4275	4279	4283	4287	4291	4295	4299	4303	4307	4311	4315	4319	4323	4327	4331	4335	4339	4343	4347	4351	4355	4359	4363	4367	4371	4375	4379	4383	4387	4391	4395	4399	4403	4407	4411	4415	4419	4423	4427	4431	4435	4439	4443	4447	4451	4455	4459	4463	4467	4471	4475	4479	4483	4487	4491	4495	4499	4503	4507	4511	4515	4519	4523	4527	4531	4535	4539	4543	4547	4551	4555	4559	4563	4567	4571	4575	4579	4583	4587	4591	4595	4599	4603	4607	4611	4615	4619	4623	4627	4631	4635	4639	4643	4647	4651	4655	4659	4663	4667	4671	4675	4679	4683	4687	4691	4695	4699	4703	4707	4711	4715	4719	4723	4727	4731	4735	4739	4743	4747	4751	4755	4759	4763	4767	4771	4775	4779	4783	4787	4791	4795	4799	4803	4807	4811	4815	4819	4823	4827	4831	4835	4839	4843	4847	4851	4855	4859	4863	4867	4871	4875	4879	4883	4887	4891	4895	4899	4903	4907	4911	4915	4919	4923	4927	4931	4935	4939	4943	4947	4951	4955	4959	4963	4967	4971	4975	4979	4983	4987	4991	4995	4999	5003	5007	5011	5015	5019	5023	5027	5031	5035	5039	5043	5047	5051	5055	5059	5063	5067	5071	5075	5079	5083	5087	5091	5095	5099	5103	5107	5111	5115	5119	5123	5127	5131	5135	5139	5143	5147	5151	5155	5159	5163	5167	5171	5175	5179	5183	5187	5191	5195	5199	5203	5207	5211	5215	5219	5223	5227	5231	5235	5239	5243	5247	5251	5255	5259	5263	5267	5271	5275	5279	5283	5287	5291	5295	5299	5303	5307	5311	5315	5319	5323	5327	5331	5335	5339	5343	5347	5351	5355	5359	5363	5367	5371	5375	5379	5383	5387	5391	5395	5399	5403	5407	5411	5415	5419	5423	5427	5431	5435	5439	5443	5447	5451	5455	5459	5463	5467	5471	5475	5479	5483	5487	5491	5495	5499	5503	5507	5511	5515	5519	5523	5527	5531	5535	5539	5543	5547	5551	5555

IDB		OUTDOOR AMBIENT TEMPERATURE												115°F																	
		65°F						75°F						85°F						95°F						105°F					
		AIRFLOW		59	63	67	71	59	63	67	71	59	63	67	71	59	63	67	71	59	63	67	71	59	63	67	71				
70	1400	MBh	45.9	46.5	47.9	-	45.5	46.1	47.5	-	44.3	44.9	46.3	-	42.2	42.9	44.2	-	39.8	40.4	41.8	-	37.5	38.1	39.5	-					
		S/T	0.66	0.59	0.45	-	0.67	0.59	0.46	-	0.69	0.62	0.48	-	0.71	0.64	0.50	-	1.00	0.66	0.52	-	1.00	0.71	0.57	-					
		ΔT	19	17	14	-	19	17	14	-	19	17	14	-	19	17	14	-	19	17	13	-	20	18	15	-					
	1600	kW	2.69	2.69	2.69	-	3.01	3.01	3.00	-	3.36	3.36	3.35	-	3.74	3.74	3.73	-	4.16	4.16	4.15	-	4.66	4.66	4.65	-					
		Amps	9.9	9.9	9.8	-	11.3	11.3	11.3	-	12.9	12.9	12.9	-	14.7	14.6	14.6	-	16.6	16.6	16.6	-	18.9	18.9	18.8	-					
		HI/PR	249	250	252	-	288	289	290	-	328	330	331	-	372	373	375	-	420	421	423	-	470	471	473	-					
	1800	LO/PR	121	122	125	-	128	129	132	-	134	136	139	-	140	141	144	-	145	146	149	-	151	153	156	-					
		MBh	46.7	47.3	48.7	-	46.3	46.9	48.3	-	45.1	45.7	47.1	-	43.1	43.7	45.1	-	40.6	41.2	42.6	-	38.3	39.0	40.3	-					
		S/T	0.70	0.62	0.49	-	0.70	0.63	0.49	-	0.73	0.65	0.52	-	0.75	0.67	0.54	-	1.00	0.69	0.56	-	1.00	0.75	0.61	-					
	75	1400	ΔT	18	16	13	-	18	16	13	-	18	16	13	-	18	16	13	-	18	16	12	-	19	17	13	-				
			kW	2.71	2.71	2.70	-	3.02	3.02	3.02	-	3.37	3.37	3.37	-	3.75	3.75	3.75	-	4.18	4.18	4.17	-	4.68	4.67	4.67	-				
			Amps	9.9	9.9	9.9	-	11.4	11.4	11.3	-	13.0	13.0	13.0	-	14.7	14.7	14.7	-	16.7	16.7	16.6	-	18.9	18.9	18.9	-				
1600		HI/PR	251	252	254	-	290	291	293	-	331	332	334	-	375	376	377	-	422	423	425	-	473	474	475	-					
		LO/PR	123	124	127	-	130	132	135	-	136	138	141	-	142	143	146	-	147	149	152	-	154	155	158	-					
		MBh	47.7	48.4	49.7	-	47.3	47.9	49.3	-	46.1	46.8	48.1	-	44.1	44.7	46.1	-	41.6	42.2	43.6	-	39.3	40.0	41.3	-					
1800		S/T	0.71	0.63	0.50	-	0.71	0.64	0.50	-	0.74	0.66	0.53	-	1.00	0.68	0.55	-	1.00	0.70	0.57	-	1.00	0.75	0.62	-					
		ΔT	17	15	12	-	17	15	12	-	17	15	12	-	17	15	12	-	17	15	11	-	18	16	13	-					
		kW	2.72	2.72	2.71	-	3.04	3.03	3.03	-	3.39	3.39	3.38	-	3.77	3.77	3.76	-	4.19	4.19	4.18	-	4.69	4.69	4.68	-					
75		1400	Amps	10.0	10.0	10.0	-	11.4	11.4	11.4	-	13.1	13.0	13.0	-	14.8	14.8	14.8	-	16.7	16.7	16.7	-	19.0	19.0	19.0	-				
			HI/PR	253	255	256	-	292	293	295	-	333	334	336	-	377	378	380	-	424	426	427	-	475	476	478	-				
			LO/PR	125	127	130	-	133	134	137	-	139	141	144	-	144	146	149	-	150	151	154	-	156	158	161	-				
	1600	MBh	45.9	46.5	47.9	50.0	45.5	46.1	47.5	49.5	44.3	44.9	46.3	48.4	42.3	42.9	44.3	46.3	39.8	40.4	41.8	43.8	37.5	38.2	39.5	41.6					
		S/T	0.79	0.71	0.58	0.44	0.80	0.72	0.59	0.44	1.00	0.75	0.61	0.47	1.00	0.76	0.63	0.49	1.00	0.79	0.65	0.51	1.00	0.84	0.70	0.56					
		ΔT	23	21	18	14	23	21	18	14	23	21	18	14	23	21	18	14	23	21	17	14	24	22	19	15					
	1800	kW	2.69	2.69	2.68	2.71	3.01	3.00	3.00	3.02	3.36	3.35	3.35	3.37	3.74	3.73	3.73	3.75	4.16	4.16	4.15	4.18	4.66	4.66	4.65	4.67					
		Amps	9.9	9.9	9.8	9.9	11.3	11.3	11.3	11.4	12.9	12.9	12.9	13.0	14.6	14.6	14.6	14.7	16.6	16.6	16.6	16.7	18.9	18.9	18.8	18.9					
		HI/PR	249	250	252	256	288	289	291	295	329	330	331	336	373	374	375	380	420	421	423	427	470	472	473	478					
	1800	LO/PR	121	122	125	130	128	129	132	137	134	136	139	144	140	141	144	149	145	146	149	154	151	153	156	161					
		MBh	46.7	47.4	48.7	50.8	46.3	47.0	48.3	50.4	45.1	45.8	47.1	49.2	43.1	43.7	45.1	47.2	40.6	41.3	42.6	44.7	38.3	39.0	40.3	42.4					
		S/T	0.83	0.75	0.62	0.47	0.83	0.76	0.62	0.48	1.00	0.78	0.65	0.51	1.00	0.80	0.67	0.52	1.00	0.82	0.69	0.55	1.00	1.00	0.74	0.60					
75	1400	ΔT	22	20	17	13	22	20	17	13	22	20	17	13	22	20	17	13	22	20	16	13	23	21	18	14					
		kW	2.71	2.70	2.70	2.72	3.02	3.02	3.01	3.04	3.37	3.37	3.36	3.39	3.75	3.75	3.74	3.77	4.18	4.17	4.17	4.19	4.67	4.67	4.67	4.69					
		Amps	9.9	9.9	9.9	10.0	11.4	11.4	11.3	11.4	13.0	13.0	12.9	13.1	14.7	14.7	14.8	14.8	16.7	16.6	16.6	16.7	18.9	18.9	18.9	19.0					
	1600	HI/PR	251	252	254	258	290	291	293	297	331	332	334	338	375	376	378	382	423	423	425	429	473	474	476	480					
		LO/PR	123	124	127	132	130	132	135	140	137	138	141	146	142	143	146	151	147	149	152	157	154	155	158	163					
		MBh	47.7	48.4	49.7	51.8	47.3	48.0	49.3	51.4	46.2	46.8	48.1	50.2	44.1	44.8	46.1	48.2	41.6	42.3	43.6	45.7	39.4	40.0	41.4	43.4					
	1800	S/T	0.83	0.76	0.62	0.48	0.84	0.76	0.63	0.49	1.00	0.79	0.65	0.51	1.00	0.81	0.67	0.53	1.00	0.83	0.70	0.55	1.00	1.00	0.75	0.61					
		ΔT	21	19	16	12	21	19	16	12	21	19	16	12	21	19	16	12	21	19	15	12	22	20	17	13					
		kW	2.72	2.72	2.71	2.74	3.03	3.03	3.03	3.05	3.39	3.38	3.38	3.40	3.77	3.76	3.76	3.78	4.19	4.19	4.18	4.21	4.69	4.69	4.68	4.70					
	1800	Amps	10.0	10.0	10.0	10.1	11.4	11.4	11.4	11.5	13.0	13.0	13.0	13.1	14.8	14.7	14.9	14.9	16.7	16.7	16.7	16.8	19.0	19.0	19.0	19.1					
		HI/PR	254	255	257	261	293	294	295	300	333	334	336	341	377	378	380	384	425	426	427	432	475	476	478	482					
		LO/PR	126	127	130	135	133	134	137	142	139	141	144	149	144	146	149	154	150	151	154	159	156	158	161	166					

IDB: Entering Indoor Dry Bulb Temperature
 High and low pressures are measured at the liquid and suction service valves.
 Shaded area reflects ACCA (TVA) Rating Conditions.
 Amps = Outdoor unit amps (compressor + fan)
 kW = Total system power

IDB		OUTDOOR AMBIENT TEMPERATURE												105°F												115°F																																																		
		65°F						75°F						85°F						95°F						105°F						115°F																																												
		ENTERING INDOOR WET BULB TEMPERATURE																																																																										
AIRFLOW	59	63	67	71	75	79	59	63	67	71	75	79	59	63	67	71	75	79	59	63	67	71	75	79	59	63	67	71	75	79	59	63	67	71	75	79																																								
1400	MBh	46.1	46.8	48.1	50.2	45.7	46.4	47.7	49.8	44.5	45.2	46.5	48.6	42.5	43.1	44.5	46.6	40.0	40.7	42.0	44.1	37.8	38.4	39.7	41.8	46.1	46.8	48.1	50.2	45.7	46.4	47.7	49.8	44.5	45.2	46.5	48.6	42.5	43.1	44.5	46.6	40.0	40.7	42.0	44.1	37.8	38.4	39.7	41.8	46.1	46.8	48.1	50.2	45.7	46.4	47.7	49.8	44.5	45.2	46.5	48.6	42.5	43.1	44.5	46.6	40.0	40.7	42.0	44.1	37.8	38.4	39.7	41.8			
	S/T	0.91	0.84	0.70	0.56	1.00	0.84	0.71	0.57	1.00	0.87	0.73	0.59	1.00	0.89	0.75	0.61	1.00	1.00	1.00	0.78	0.63	1.00	1.00	0.83	0.69	0.91	0.84	0.70	0.56	1.00	0.84	0.71	0.57	1.00	0.87	0.73	0.59	1.00	0.89	0.75	0.61	1.00	1.00	0.78	0.63	1.00	1.00	0.83	0.69	0.91	0.84	0.70	0.56	1.00	0.84	0.71	0.57	1.00	0.87	0.73	0.59	1.00	0.89	0.75	0.61	1.00	1.00	0.78	0.63	1.00	1.00	0.83	0.69		
	ΔT	27	25	22	18	27	25	22	18	27	26	22	19	27	25	22	18	27	26	22	18	27	25	22	18	27	25	22	18	27	25	22	18	27	26	22	19	27	25	22	18	27	25	22	18	27	25	22	18	27	25	22	18	27	25	22	18	27	26	22	19	27	25	22	18	27	25	22	18	27	25	22	18			
	kW	2.69	2.69	2.69	2.71	3.01	3.01	3.01	3.02	3.02	3.36	3.36	3.35	3.37	3.74	3.74	3.74	3.75	4.16	4.16	4.15	4.18	4.66	4.66	4.65	4.68	2.69	2.69	2.69	2.71	3.01	3.01	3.01	3.02	3.02	3.36	3.36	3.35	3.37	3.74	3.74	3.74	3.75	4.16	4.16	4.15	4.18	4.66	4.66	4.65	4.68	2.69	2.69	2.69	2.71	3.01	3.01	3.01	3.02	3.02	3.36	3.36	3.35	3.37	3.74	3.74	3.74	3.75	4.16	4.16	4.15	4.18	4.66	4.66	4.65	4.68
	Amps	9.9	9.9	9.8	9.9	11.3	11.3	11.3	11.4	12.9	12.9	12.9	13.0	14.7	14.6	14.6	14.7	16.6	16.6	16.6	16.6	18.9	18.9	18.8	18.9	9.9	9.9	9.8	9.9	11.3	11.3	11.3	11.4	12.9	12.9	12.9	13.0	14.7	14.6	14.6	14.7	16.6	16.6	16.6	16.6	18.9	18.9	18.8	18.9	9.9	9.9	9.8	9.9	11.3	11.3	11.3	11.4	12.9	12.9	12.9	13.0	14.7	14.6	14.6	14.7	16.6	16.6	16.6	16.6	18.9	18.9	18.8	18.9			
	HI PR	249	250	252	257	288	289	291	295	329	330	332	336	373	374	376	380	420	420	421	423	427	471	472	474	478	249	250	252	257	288	289	291	295	329	330	332	336	373	374	376	380	420	420	421	423	427	471	472	474	478	249	250	252	257	288	289	291	295	329	330	332	336	373	374	376	380	420	420	421	423	427	471	472	474	478
	LO PR	121	123	126	131	128	130	133	138	135	136	139	144	140	142	145	150	145	145	147	150	155	152	153	156	162	121	123	126	131	128	130	133	138	135	136	139	144	140	142	145	150	145	145	147	150	155	152	153	156	162	121	123	126	131	128	130	133	138	135	136	139	144	140	142	145	150	145	145	147	150	155	152	153	156	162
	MBh	47.0	47.6	48.9	51.0	46.6	47.2	48.5	50.6	45.4	46.0	47.4	49.4	43.3	44.0	45.3	47.4	40.8	41.5	42.8	44.9	38.6	39.2	40.6	42.6	47.0	47.6	48.9	51.0	46.6	47.2	48.5	50.6	45.4	46.0	47.4	49.4	43.3	44.0	45.3	47.4	40.8	41.5	42.8	44.9	38.6	39.2	40.6	42.6	47.0	47.6	48.9	51.0	46.6	47.2	48.5	50.6	45.4	46.0	47.4	49.4	43.3	44.0	45.3	47.4	40.8	41.5	42.8	44.9	38.6	39.2	40.6	42.6			
	S/T	1.00	0.88	0.74	0.60	1.00	0.88	0.75	0.60	1.00	0.91	0.77	0.63	1.00	0.93	0.79	0.65	1.00	1.00	0.81	0.67	1.00	1.00	0.86	0.72	1.00	0.88	0.74	0.60	1.00	0.88	0.75	0.60	1.00	0.91	0.77	0.63	1.00	0.93	0.79	0.65	1.00	1.00	0.81	0.67	1.00	1.00	0.86	0.72	1.00	0.88	0.74	0.60	1.00	0.88	0.75	0.60	1.00	0.91	0.77	0.63	1.00	0.93	0.79	0.65	1.00	1.00	0.81	0.67	1.00	1.00	0.86	0.72			
	ΔT	26	24	21	17	26	24	21	17	26	25	21	17	26	24	21	17	26	25	21	17	27	25	22	18	26	24	21	17	26	24	21	17	26	25	21	17	26	24	21	17	26	24	21	17	27	25	22	18	26	24	21	17	26	24	21	17	26	25	21	17	26	24	21	17	26	24	21	17	27	25	22	18			
kW	2.71	2.71	2.70	2.72	3.02	3.02	3.02	3.04	3.37	3.37	3.37	3.39	3.75	3.75	3.75	3.77	4.18	4.18	4.17	4.19	4.68	4.67	4.67	4.69	2.71	2.71	2.70	2.72	3.02	3.02	3.02	3.04	3.37	3.37	3.37	3.39	3.75	3.75	3.75	3.77	4.18	4.18	4.17	4.19	4.68	4.67	4.67	4.69	2.71	2.71	2.70	2.72	3.02	3.02	3.02	3.04	3.37	3.37	3.37	3.39	3.75	3.75	3.75	3.77	4.18	4.18	4.17	4.19	4.68	4.67	4.67	4.69				
Amps	9.9	9.9	9.9	10.0	11.4	11.4	11.4	11.5	13.0	13.0	13.0	13.1	14.7	14.7	14.7	14.8	16.7	16.7	16.7	16.6	18.9	18.9	18.9	19.0	9.9	9.9	9.9	10.0	11.4	11.4	11.4	11.5	13.0	13.0	13.0	13.1	14.7	14.7	14.7	14.8	16.7	16.7	16.6	16.7	18.9	18.9	18.9	19.0	9.9	9.9	9.9	10.0	11.4	11.4	11.4	11.5	13.0	13.0	13.0	13.1	14.7	14.7	14.7	14.8	16.7	16.7	16.6	16.7	18.9	18.9	18.9	19.0				
HI PR	252	253	255	259	291	292	293	298	331	333	334	339	375	376	378	382	423	423	424	426	430	473	474	476	480	252	253	255	259	291	292	293	298	331	333	334	339	375	376	378	382	423	423	424	426	430	473	474	476	480	252	253	255	259	291	292	293	298	331	333	334	339	375	376	378	382	423	423	424	426	430	473	474	476	480	
LO PR	123	125	128	133	131	132	135	140	137	138	142	147	142	144	147	152	148	148	149	152	157	154	156	164	123	125	128	133	131	132	135	140	137	138	142	147	142	144	147	152	148	148	149	152	157	154	156	164	123	125	128	133	131	132	135	140	137	138	142	147	142	144	147	152	148	148	149	152	157	154	156	164				
MBh	48.0	48.6	50.0	52.0	47.6	48.2	49.6	51.6	46.4	47.0	48.4	50.4	44.4	45.0	46.3	48.4	41.9	42.5	43.9	45.9	39.6	40.2	41.6	43.7	48.0	48.6	50.0	52.0	47.6	48.2	49.6	51.6	46.4	47.0	48.4	50.4	44.4	45.0	46.3	48.4	41.9	42.5	43.9	45.9	39.6	40.2	41.6	43.7	48.0	48.6	50.0	52.0	47.6	48.2	49.6	51.6	46.4	47.0	48.4	50.4	44.4	45.0	46.3	48.4	41.9	42.5	43.9	45.9	39.6	40.2	41.6	43.7				
S/T	1.00	0.88	0.75	0.61	1.00	0.89	0.75	0.61	1.00	0.91	0.78	0.64	1.00	1.00	0.80	0.66	1.00	1.00	0.82	0.68	1.00	1.00	0.87	0.73	1.00	0.88	0.75	0.61	1.00	0.89	0.75	0.61	1.00	0.91	0.78	0.64	1.00	1.00	0.80	0.66	1.00	1.00	0.82	0.68	1.00	1.00	0.87	0.73	1.00	0.88	0.75	0.61	1.00	0.89	0.75	0.61	1.00	0.91	0.78	0.64	1.00	1.00	0.80	0.66	1.00	1.00	0.82	0.68	1.00	1.00	0.87	0.73				
ΔT	25	23	20	16	25	23	20	16	25	24	20	17	25	23	20	16	25	23	20	16	26	24	21	17	25	23	20	16	25	23	20	16	25	24	20	17	25	23	20	16	25	23	20	16	26	24	21	17	25	23	20	16	25	23	20	16	25	24	20	17	25	23	20	16	25	23	20	16	26	24	21	17				
kW	2.72	2.72	2.71	2.74	3.04	3.03	3.03	3.05	3.39	3.39	3.38	3.40	3.77	3.76	3.76	3.78	4.19	4.19	4.18	4.21	4.69	4.69	4.68	4.71	2.72	2.72	2.71	2.74	3.04	3.03	3.03	3.05	3.39	3.39	3.38	3.40	3.77	3.76	3.76	3.78	4.19	4.19	4.18	4.21	4.69	4.69	4.68	4.71	2.72	2.72	2.71	2.74	3.04	3.03	3.03	3.05	3.39	3.39	3.38	3.40	3.77	3.76	3.76	3.78	4.19	4.19	4.18	4.21	4.69	4.69	4.68	4.71				
Amps	10.0	10.0	10.0	10.1	11.4	11.4	11.4	11.5	13.1	13.0	13.0	13.1	14.8	14.8	14.8	14.9	16.7	16.7	16.7	16.7	19.0	19.0	19.0	19.1	10.0	10.0	10.0	10.1	11.4	11.4	11.4	11.5	13.1	13.0	13.0	13.1	14.8	14.8	14.8	14.9	16.7	16.7	16.7	16.7	19.0	19.0																														

IDB		OUTDOOR AMBIENT TEMPERATURE												115°F																	
		65°F						75°F						85°F						95°F						105°F					
		ENTERING INDOOR WET BULB TEMPERATURE																													
AIRFLOW	59	63	67	71	71	71	59	63	67	71	71	71	59	63	67	71	71	71	59	63	67	71	71	71	59	63	67	71	71	71	
1790	MBh	58.2	59.0	60.8	-	-	57.7	58.5	60.3	-	-	56.2	57.0	58.8	-	-	53.6	54.5	56.2	-	-	50.5	51.3	53.0	-	-	47.6	48.4	50.1	-	
	S/T	0.67	0.59	0.46	-	-	0.67	0.60	0.46	-	-	0.70	0.62	0.49	-	-	0.72	0.64	0.51	-	-	0.74	0.67	0.53	-	-	1.00	0.72	0.58	-	
	ΔT	19	17	14	-	-	19	17	14	-	-	19	17	14	-	-	19	17	14	-	-	19	17	13	-	-	20	18	14	-	
	kW	3.35	3.35	3.34	-	-	3.78	3.78	3.77	-	-	4.25	4.25	4.24	-	-	4.76	4.76	4.75	-	-	5.34	5.33	5.33	-	-	6.01	6.00	6.00	-	
	Amps	13.2	13.2	13.1	-	-	15.1	15.1	15.1	-	-	17.3	17.3	17.2	-	-	19.6	19.6	19.6	-	-	22.2	22.2	22.2	-	-	25.3	25.3	25.3	-	
2000	HI/PR	258	259	261	-	-	298	299	301	-	-	340	341	343	-	-	386	387	389	-	-	435	436	438	-	-	487	488	490	-	
	LO/PR	116	118	121	-	-	123	125	128	-	-	130	131	134	-	-	135	136	139	-	-	140	141	144	-	-	146	148	150	-	
	MBh	59.1	59.9	61.6	-	-	58.6	59.4	61.1	-	-	57.1	57.9	59.6	-	-	54.5	55.3	57.0	-	-	51.3	52.1	53.9	-	-	48.4	49.3	51.0	-	
	S/T	0.70	0.62	0.49	-	-	0.71	0.63	0.49	-	-	0.73	0.66	0.52	-	-	0.75	0.68	0.54	-	-	0.77	0.70	0.56	-	-	1.00	0.75	0.61	-	
	ΔT	18	16	13	-	-	18	16	13	-	-	18	16	13	-	-	18	16	13	-	-	18	16	12	-	-	19	17	14	-	
2250	kW	3.37	3.37	3.36	-	-	3.80	3.79	3.79	-	-	4.27	4.27	4.26	-	-	4.78	4.78	4.77	-	-	5.35	5.35	5.34	-	-	6.03	6.02	6.01	-	
	Amps	13.2	13.2	13.2	-	-	15.2	15.2	15.1	-	-	17.4	17.3	17.3	-	-	19.7	19.7	19.6	-	-	22.3	22.3	22.3	-	-	25.4	25.4	25.3	-	
	HI/PR	260	261	263	-	-	300	301	303	-	-	342	343	345	-	-	388	389	391	-	-	437	438	440	-	-	489	490	492	-	
	LO/PR	118	120	123	-	-	125	127	130	-	-	131	133	136	-	-	136	138	141	-	-	142	143	146	-	-	148	149	152	-	
	MBh	60.3	61.1	62.8	-	-	59.8	60.6	62.3	-	-	58.3	59.1	60.8	-	-	55.7	56.5	58.2	-	-	52.5	53.4	55.1	-	-	49.7	50.5	52.2	-	
70	S/T	0.71	0.64	0.50	-	-	0.72	0.64	0.51	-	-	0.75	0.67	0.53	-	-	0.76	0.69	0.55	-	-	1.00	0.71	0.57	-	-	1.00	0.76	0.63	-	
	ΔT	17	15	12	-	-	17	15	12	-	-	17	15	12	-	-	17	15	12	-	-	17	15	11	-	-	18	16	13	-	
	kW	3.39	3.39	3.38	-	-	3.81	3.81	3.80	-	-	4.29	4.28	4.28	-	-	4.80	4.80	4.79	-	-	5.37	5.37	5.36	-	-	6.04	6.04	6.03	-	
	Amps	13.3	13.3	13.3	-	-	15.3	15.3	15.2	-	-	17.4	17.4	17.4	-	-	19.8	19.8	19.7	-	-	22.4	22.4	22.4	-	-	25.5	25.5	25.4	-	
	HI/PR	262	263	265	-	-	302	303	305	-	-	345	346	347	-	-	390	391	393	-	-	439	440	442	-	-	491	492	494	-	
LO/PR	121	122	125	-	-	128	129	132	-	-	134	135	138	-	-	139	140	143	-	-	144	145	148	-	-	150	152	155	-		

1790	MBh	58.3	59.1	60.8	63.4	63.4	57.8	58.6	60.3	62.9	62.9	56.3	57.1	58.8	61.4	61.4	53.7	54.5	56.2	58.8	58.8	50.5	51.3	53.0	55.7	55.7	47.6	48.4	50.2	52.8
	S/T	0.80	0.72	0.59	0.44	0.44	0.80	0.73	0.59	0.45	0.45	0.83	0.75	0.62	0.47	0.47	1.00	0.77	0.64	0.49	0.49	1.00	0.79	0.66	0.52	0.52	1.00	0.85	0.71	0.57
	ΔT	23	21	18	14	14	23	21	18	14	14	23	21	18	14	14	23	21	17	14	14	23	21	17	14	14	24	22	19	15
	kW	3.35	3.35	3.34	3.37	3.37	3.78	3.77	3.77	3.80	3.80	4.25	4.25	4.24	4.27	4.27	4.76	4.76	4.75	4.78	4.78	5.33	5.33	5.32	5.36	5.36	6.01	6.00	5.99	6.03
	Amps	13.2	13.1	13.1	13.3	13.3	15.1	15.1	15.0	15.2	15.2	17.3	17.2	17.2	17.4	17.4	19.6	19.6	19.6	19.7	19.7	22.2	22.2	22.2	22.3	22.3	25.3	25.3	25.2	25.4
2000	HI/PR	258	259	261	265	265	298	299	301	306	306	340	341	343	348	348	386	387	389	393	393	435	436	438	442	442	487	488	490	495
	LO/PR	116	118	121	126	126	123	125	128	133	133	130	131	134	139	139	135	136	139	144	144	140	141	144	149	149	146	148	150	155
	MBh	59.1	59.9	61.6	64.3	64.3	58.6	59.4	61.1	63.8	63.8	57.1	57.9	59.6	62.3	62.3	54.5	55.3	57.0	59.7	59.7	51.4	52.2	53.9	56.5	56.5	48.5	49.3	51.0	53.6
	S/T	0.83	0.75	0.62	0.47	0.47	0.84	0.76	0.62	0.48	0.48	0.86	0.79	0.65	0.51	0.51	1.00	0.81	0.67	0.53	0.53	1.00	0.83	0.69	0.55	0.55	1.00	0.88	0.74	0.60
	ΔT	22	20	17	13	13	22	20	17	13	13	22	20	17	13	13	22	20	17	13	13	22	20	16	13	13	23	21	18	14
75	kW	3.37	3.37	3.36	3.39	3.39	3.79	3.79	3.78	3.82	3.82	4.27	4.26	4.26	4.29	4.29	4.78	4.78	4.77	4.80	4.80	5.35	5.35	5.34	5.37	5.37	6.02	6.02	6.01	6.04
	Amps	13.2	13.2	13.2	13.3	13.3	15.2	15.2	15.1	15.3	15.3	17.3	17.3	17.3	17.4	17.4	19.7	19.7	19.6	19.8	19.8	22.3	22.3	22.3	22.4	22.4	25.4	25.4	25.3	25.5
	HI/PR	260	261	263	267	267	300	301	303	307	307	342	343	345	350	350	388	389	391	395	395	437	438	440	444	444	489	490	492	497
	LO/PR	118	120	123	127	127	125	127	130	134	134	131	133	136	141	141	136	138	141	146	146	142	143	146	151	151	148	149	152	157
	MBh	60.3	61.1	62.9	65.5	65.5	59.8	60.6	62.3	65.0	65.0	58.3	59.1	60.8	63.5	63.5	55.7	56.5	58.3	60.9	60.9	52.6	53.4	55.1	57.7	57.7	49.7	50.5	52.2	54.9
2250	S/T	0.84	0.77	0.63	0.49	0.49	0.85	0.77	0.64	0.49	0.49	1.00	0.80	0.66	0.52	0.52	1.00	0.82	0.68	0.54	0.54	1.00	0.84	0.70	0.56	0.56	1.00	0.89	0.76	0.61
	ΔT	21	19	16	12	12	21	19	16	12	12	21	20	16	12	12	21	19	16	12	12	21	19	16	12	12	22	20	17	13
	kW	3.39	3.38	3.38	3.41	3.41	3.81	3.81	3.80	3.83	3.83	4.29	4.28	4.27	4.31	4.31	4.80	4.79	4.79	4.82	4.82	5.37	5.37	5.36	5.39	5.39	6.04	6.04	6.03	6.06
	Amps	13.3	13.3	13.3	13.4	13.4	15.3	15.2	15.2	15.4	15.4	17.4	17.4	17.4	17.5	17.5	19.8	19.8	19.7	19.9	19.9	22.4	22.4	22.3	22.5	22.5	25.5	25.4	25.4	25.6
	HI/PR	262	263	265	270	270	303	304	305	310	310	345	346	348	352	352	390	391	393	398	398	439	440	442	447	447	492	493	495	499
LO/PR	121	122	125	130	130	128	129	132	137	137	134	135	138	143	143	139	140	143	148	148	144	145	148	153	153	150	152	155	160	

IDB: Entering Indoor Dry Bulb Temperature
 High and low pressures are measured at the liquid and suction service valves.
 Shaded area reflects ACCA (TVA) Rating Conditions.
 Amps = Outdoor unit amps (compressor + fan)
 kW = Total system power

IDB	AIRFLOW	OUTDOOR AMBIENT TEMPERATURE												105°F												115°F											
		65°F						75°F						85°F						95°F						105°F						115°F					
		59	63	67	71	75	79	59	63	67	71	75	79	59	63	67	71	75	79	59	63	67	71	75	79	59	63	67	71	75	79	59	63	67	71	75	79
80	1790	MBh	58.6	59.4	61.1	63.7	58.1	58.9	60.6	63.2	56.6	57.4	59.1	61.7	54.0	54.8	56.5	59.1	50.8	51.6	53.3	56.0	47.9	48.7	50.5	53.1											
		S/T	0.92	0.85	0.71	0.57	1.00	0.85	0.72	0.57	1.00	0.88	0.74	0.60	1.00	0.90	0.76	0.62	1.00	0.92	0.78	0.64	1.00	1.00	1.00	0.84	0.69										
		ΔT	27	25	22	18	27	25	22	18	27	25	22	18	27	25	22	18	27	25	21	18	28	26	23	19											
		kW	3.35	3.35	3.34	3.38	3.78	3.78	3.77	3.80	4.25	4.25	4.24	4.27	4.76	4.76	4.75	4.79	5.34	5.33	5.33	5.36	6.01	6.00	6.00	6.03											
		Amps	13.2	13.1	13.1	13.3	15.1	15.1	15.1	15.2	17.3	17.3	17.2	17.4	19.6	19.6	19.6	19.7	22.2	22.2	22.2	22.3	25.3	25.3	25.3	25.4											
	HI PR	258	259	261	266	299	300	302	306	341	342	344	348	386	387	389	394	435	436	438	443	488	489	491	495												
	LO PR	117	118	121	126	124	125	128	133	130	131	134	139	135	137	140	144	140	142	145	150	147	148	151	156												
	MBh	59.4	60.2	61.9	64.6	58.9	59.7	61.4	64.1	57.4	58.2	59.9	62.6	54.8	55.6	57.3	60.0	51.7	52.5	54.2	56.8	48.8	49.6	51.3	53.9												
	S/T	0.96	0.88	0.74	0.60	1.00	0.89	0.75	0.61	1.00	0.91	0.78	0.63	1.00	0.93	0.79	0.65	1.00	0.95	0.82	0.67	1.00	1.00	1.00	0.87	0.73											
	ΔT	26	24	21	17	26	24	21	17	26	25	21	18	26	24	21	17	26	24	21	17	27	25	22	18												
kW	3.37	3.37	3.36	3.39	3.80	3.79	3.79	3.82	4.27	4.27	4.26	4.29	4.78	4.78	4.77	4.80	5.35	5.35	5.34	5.38	6.02	6.02	6.01	6.05													
Amps	13.2	13.2	13.2	13.3	15.2	15.2	15.1	15.3	17.4	17.3	17.3	17.5	19.7	19.7	19.6	19.8	22.3	22.3	22.3	22.4	25.4	25.4	25.4	25.5													
HI PR	260	261	263	268	301	302	304	308	343	344	346	350	388	389	391	396	437	438	440	445	490	491	493	497													
LO PR	119	120	123	128	126	127	130	135	132	133	136	141	137	138	141	146	142	143	146	151	148	150	153	158													
MBh	60.6	61.4	63.2	65.8	60.1	60.9	62.6	65.3	58.6	59.4	61.1	63.8	56.0	56.8	58.6	61.2	52.9	53.7	55.4	58.0	50.0	50.8	52.5	55.1													
S/T	0.97	0.89	0.76	0.61	1.00	0.90	0.76	0.62	1.00	0.92	0.79	0.64	1.00	0.94	0.81	0.66	1.00	1.00	0.83	0.69	1.00	1.00	1.00	0.88	0.74												
ΔT	25	23	20	16	25	23	20	16	25	24	20	17	25	23	20	16	25	23	20	16	26	24	21	17													
kW	3.39	3.39	3.38	3.41	3.81	3.81	3.80	3.84	4.29	4.28	4.28	4.31	4.80	4.80	4.79	4.82	5.37	5.37	5.36	5.39	6.04	6.04	6.03	6.06													
Amps	13.3	13.3	13.3	13.4	15.3	15.3	15.2	15.4	17.4	17.4	17.4	17.5	19.8	19.8	19.7	19.9	22.4	22.4	22.3	22.5	25.5	25.5	25.5	25.6													
HI PR	263	264	266	270	303	304	306	310	345	346	348	353	391	392	394	398	440	441	443	447	492	493	495	499													
LO PR	121	123	125	130	128	129	132	137	134	136	139	143	139	141	144	149	144	146	149	154	151	152	155	160													
85	1790	MBh	59.5	60.3	62.1	64.7	59.0	59.8	61.6	64.2	57.5	58.3	60.1	62.7	54.9	55.8	57.5	60.1	51.8	52.6	54.3	56.9	48.9	49.7	51.4	54.1											
		S/T	1.00	0.95	0.81	0.67	1.00	0.96	0.82	0.68	1.00	0.98	0.84	0.70	1.00	1.00	0.86	0.72	1.00	1.00	0.89	0.74	1.00	1.00	0.94	0.79											
		ΔT	31	29	25	22	31	29	25	22	31	29	26	22	31	29	25	22	30	29	25	22	32	30	26	23											
		kW	3.36	3.36	3.35	3.38	3.79	3.78	3.78	3.81	4.26	4.26	4.25	4.28	4.77	4.77	4.76	4.79	5.34	5.34	5.33	5.37	6.02	6.01	6.00	6.04											
		Amps	13.2	13.2	13.2	13.3	15.1	15.1	15.1	15.2	17.3	17.3	17.3	17.4	19.7	19.7	19.6	19.8	22.3	22.3	22.2	22.4	25.3	25.3	25.3	25.4											
	HI PR	260	261	262	267	300	301	303	307	342	343	345	349	388	389	390	395	437	438	439	444	489	490	492	496												
	LO PR	119	120	123	128	126	127	130	135	132	133	136	141	137	138	141	146	142	143	146	151	148	150	153	158												
	MBh	60.4	61.2	62.9	65.5	59.9	60.7	62.4	65.0	58.4	59.2	60.9	63.5	55.8	56.6	58.3	60.9	52.6	53.4	55.2	57.8	49.7	50.6	52.3	54.9												
	S/T	1.00	0.98	0.85	0.70	1.00	0.99	0.85	0.71	1.00	1.00	0.88	0.73	1.00	1.00	0.90	0.75	1.00	1.00	0.92	0.78	1.00	1.00	0.97	0.83												
	ΔT	30	28	25	21	30	28	24	21	30	28	25	21	30	28	24	21	30	28	24	21	31	29	25	22												
kW	3.38	3.38	3.37	3.40	3.80	3.80	3.79	3.83	4.28	4.27	4.27	4.30	4.79	4.79	4.78	4.81	5.36	5.36	5.35	5.38	6.03	6.03	6.02	6.05													
Amps	13.3	13.3	13.2	13.4	15.2	15.2	15.2	15.3	17.4	17.4	17.3	17.5	19.7	19.7	19.7	19.8	22.4	22.3	22.3	22.5	25.4	25.4	25.4	25.5													
HI PR	261	263	264	269	302	303	305	309	344	345	347	351	390	391	392	397	439	440	441	446	491	492	494	498													
LO PR	120	122	125	130	127	129	132	137	134	135	138	143	139	140	143	148	144	145	148	153	150	152	154	159													
MBh	61.6	62.4	64.1	66.8	61.1	61.9	63.6	66.2	59.6	60.4	62.1	64.7	57.0	57.8	59.5	62.2	53.8	54.7	56.4	59.0	51.0	51.8	53.5	56.1													
S/T	1.00	0.99	0.86	0.71	1.00	1.00	0.86	0.72	1.00	1.00	0.89	0.75	1.00	1.00	0.91	0.77	1.00	1.00	0.93	0.79	1.00	1.00	0.98	0.84													
ΔT	29	27	24	20	29	27	24	20	29	27	24	20	29	27	24	20	29	27	23	20	30	28	24	21													
kW	3.40	3.39	3.39	3.42	3.82	3.82	3.81	3.84	4.30	4.29	4.28	4.32	4.81	4.80	4.80	4.83	5.38	5.38	5.37	5.40	6.05	6.05	6.04	6.07													
Amps	13.4	13.3	13.3	13.5	15.3	15.3	15.3	15.4	17.5	17.5	17.4	17.6	19.8	19.8	19.8	19.9	22.4	22.4	22.4	22.5	25.5	25.5	25.5	25.6													
HI PR	264	265	267	271	304	305	307	312	346	348	349	354	392	393	395	399	441	442	444	448	493	494	496	501													
LO PR	123	124	127	132	130	131	134	139	136	137	140	145	141	142	145	150	146	148	150	155	153	154	157	162													

IDB: Entering Indoor Dry Bulb Temperature
 High and low pressures are measured at the liquid and suction service valves.
 Shaded area reflects AHRI Rating Conditions.
 kW = Total system power
 Amps = Outdoor unit amps (compressor + fan)

GSZ140181K* - ARUF25B14 + TXV**

	OUTDOOR AMBIENT TEMPERATURE																	
	65	60	55	50	47	45	40	35	30	25	20	17	15	10	5	0	-5	-10
MBh	22.9	21.7	20.4	19.1	18.3	17.7	16.4	15.2	12.9	11.9	10.9	10.3	9.9	8.9	7.9	6.9	5.9	4.8
T/R	34.8	33.0	31.0	29.0	27.7	26.9	24.9	23.0	19.5	18.0	16.6	15.7	15.1	13.5	12.0	10.5	8.9	7.3
kW	1.37	1.33	1.30	1.27	1.25	1.24	1.21	1.17	1.14	1.11	1.08	1.06	1.04	1.01	0.98	0.95	0.92	0.88
Amps	7.4	6.8	6.4	6.0	5.7	5.6	5.3	5.0	4.7	4.5	4.2	4.1	4.1	3.8	3.5	3.3	3.0	2.7
COP	4.35	4.21	4.04	3.87	3.74	3.66	3.48	3.28	2.85	2.70	2.55	2.44	2.38	2.19	2.00	1.79	1.57	1.33
HI PR	409	392	377	360	352	345	332	318	305	291	280	273	268	258	248	238	229	221
LO PR	153	142	133	122	115	111	102	91	82	73	64	60	58	49	42	35	31	24

GSZ140241K* - ARUF25B14 + TXV**

	OUTDOOR AMBIENT TEMPERATURE																	
	65	60	55	50	47	45	40	35	30	25	20	17	15	10	5	0	-5	-10
MBh	29.6	28.0	26.4	24.7	23.6	22.8	21.2	19.6	17.0	15.7	14.5	13.7	13.2	11.8	10.5	9.1	7.8	6.4
T/R	31.5	29.9	28.1	26.3	25.1	24.3	22.6	20.8	18.1	16.7	15.4	14.6	14.0	12.6	11.1	9.7	8.3	6.8
kW	1.70	1.66	1.62	1.58	1.55	1.54	1.50	1.46	1.47	1.42	1.38	1.36	1.34	1.30	1.26	1.22	1.18	1.14
Amps	9.2	8.5	7.9	7.4	7.1	7.0	6.5	6.2	5.9	5.6	5.3	5.1	5.1	4.8	4.4	4.1	3.7	3.3
COP	4.41	4.26	4.10	3.91	3.79	3.70	3.52	3.32	2.87	2.72	2.57	2.46	2.39	2.20	2.01	1.80	1.58	1.33
HI PR	384	369	354	339	331	325	312	299	287	274	263	257	252	242	233	224	216	208
LO PR	143	132	124	114	108	104	95	85	77	68	60	56	54	46	39	33	29	23

GSZ140301K* - ARUF29B14 + TXV**

	OUTDOOR AMBIENT TEMPERATURE																	
	65	60	55	50	47	45	40	35	30	25	20	17	15	10	5	0	-5	-10
MBh	36.1	34.2	32.2	30.1	28.7	27.8	25.8	23.8	20.9	19.3	17.8	16.8	16.2	14.5	12.9	11.2	9.6	7.8
T/R	38.4	36.4	34.2	32.0	30.6	29.6	27.5	25.4	22.3	20.5	18.9	17.9	17.2	15.4	13.7	11.9	10.2	8.3
kW	2.24	2.19	2.14	2.08	2.05	2.03	1.98	1.92	1.87	1.81	1.76	1.73	1.71	1.65	1.60	1.55	1.50	1.45
Amps	12.2	11.2	10.4	9.8	9.4	9.2	8.6	8.1	7.7	7.4	7.0	6.8	6.7	6.3	5.8	5.4	4.9	4.4
COP	4.23	4.09	3.94	3.77	3.64	3.57	3.39	3.20	2.89	2.73	2.58	2.48	2.41	2.22	2.03	1.82	1.60	1.35
HI PR	419	401	386	369	360	354	340	326	312	298	287	280	275	264	254	244	235	227
LO PR	141	131	122	112	106	102	94	84	75	67	59	55	53	45	39	33	29	22

GSZ140361K* - ARUF37C14 + TXV**

	OUTDOOR AMBIENT TEMPERATURE																	
	65	60	55	50	47	45	40	35	30	25	20	17	15	10	5	0	-5	-10
MBh	41.3	39.1	36.8	34.4	32.9	31.9	29.6	27.3	25.7	23.7	21.8	20.6	19.8	17.8	15.8	13.8	11.7	9.6
T/R	35.8	33.9	31.9	29.8	28.5	27.6	25.6	23.6	22.2	20.5	18.9	17.8	17.2	15.4	13.7	11.9	10.2	8.3
kW	2.48	2.42	2.36	2.30	2.27	2.24	2.19	2.13	2.21	2.14	2.08	2.05	2.02	1.96	1.90	1.84	1.77	1.71
Amps	13.5	12.4	11.6	10.8	10.4	10.2	9.5	9.0	8.6	8.1	7.7	7.5	7.4	7.0	6.4	6.0	5.5	4.8
COP	4.26	4.12	3.96	3.79	3.66	3.58	3.40	3.21	2.93	2.77	2.62	2.51	2.44	2.25	2.05	1.84	1.61	1.36
HI PR	370	355	341	326	319	313	301	289	276	264	253	247	243	234	225	216	208	201
LO PR	129	119	112	103	97	93	86	76	69	62	54	50	48	41	35	30	26	20

Calculations are based on nominal CFM and 70°F indoor dry bulb.
 High pressure is measured at the suction service valve (the larger valve).
 Low pressure is measured at the gauge port connection.

Amps = Outdoor unit amps (comp.+fan)
 kW = Total system power

GSZ140421K* - ARUF43C14 + TXV**

	OUTDOOR AMBIENT TEMPERATURE																	
	65	60	55	50	47	45	40	35	30	25	20	17	15	10	5	0	-5	-10
MBh	50.3	47.6	44.8	41.9	40.0	38.8	36.0	33.2	30.4	28.1	25.9	24.4	23.5	21.1	18.7	16.3	13.9	11.4
T/R	35.8	33.9	31.9	29.8	28.5	27.6	25.6	23.6	21.7	20.0	18.4	17.4	16.7	15.0	13.3	11.6	9.9	8.1
kW	2.88	2.81	2.74	2.67	2.63	2.60	2.54	2.47	2.49	2.42	2.35	2.31	2.28	2.21	2.14	2.07	2.00	1.93
Amps	15.6	14.4	13.4	12.5	12.0	11.8	11.1	10.4	9.9	9.4	8.9	8.7	8.6	8.1	7.5	7.0	6.3	5.6
COP	4.38	4.24	4.07	3.89	3.76	3.68	3.49	3.29	3.00	2.84	2.67	2.56	2.49	2.30	2.09	1.87	1.64	1.38
HI PR	388	372	358	342	334	328	315	303	290	277	266	259	255	245	236	226	218	210
LO PR	137	127	119	109	103	99	91	81	73	65	58	54	52	44	38	32	28	22

GSZ140481K* - ARUF61D14 + TXV**

	OUTDOOR AMBIENT TEMPERATURE																	
	65	60	55	50	47	45	40	35	30	25	20	17	15	10	5	0	-5	-10
MBh	56.4	53.4	50.3	47.0	44.9	43.5	40.4	37.2	35.4	32.6	30.1	28.4	27.3	24.5	21.7	19.0	16.2	13.3
T/R	33.6	31.8	29.9	28.0	26.7	25.9	24.0	22.2	21.0	19.4	17.9	16.9	16.3	14.6	12.9	11.3	9.6	7.9
kW	3.12	3.04	2.97	2.90	2.85	2.82	2.75	2.68	2.80	2.72	2.64	2.59	2.56	2.48	2.40	2.33	2.25	2.17
Amps	17.0	15.6	14.5	13.6	13.1	12.8	12.0	11.3	10.8	10.2	9.7	9.4	9.3	8.7	8.1	7.5	6.9	6.1
COP	4.50	4.35	4.18	3.99	3.86	3.77	3.58	3.38	3.09	2.92	2.75	2.64	2.57	2.36	2.15	1.93	1.69	1.42
HI PR	369	354	340	325	318	312	300	288	275	263	253	247	242	233	224	215	207	200
LO PR	130	120	113	103	98	94	86	77	69	62	54	51	49	41	36	30	26	21

GSZ140491K* - ARUF49C14 + TXV**

	OUTDOOR AMBIENT TEMPERATURE																	
	65	60	55	50	47	45	40	35	30	25	20	17	15	10	5	0	-5	-10
MBh	59.3	56.2	52.9	49.4	47.2	45.7	42.5	39.2	35.5	32.8	30.2	28.5	27.5	24.7	21.9	19.1	16.3	13.3
T/R	39.2	37.1	35.0	32.7	31.2	30.2	28.1	25.9	23.5	21.7	20.0	18.9	18.2	16.3	14.5	12.6	10.8	8.8
kW	3.39	3.31	3.23	3.15	3.10	3.07	2.99	2.91	2.82	2.74	2.66	2.61	2.58	2.50	2.42	2.35	2.26	2.19
Amps	18.5	17.0	15.8	14.8	14.2	13.9	13.0	12.3	11.7	11.1	10.5	10.3	10.1	9.5	8.8	8.2	7.5	6.6
COP	4.43	4.28	4.11	3.93	3.80	3.72	3.53	3.33	3.10	2.94	2.77	2.65	2.58	2.38	2.16	1.94	1.70	1.43
HI PR	413	396	381	364	355	349	335	322	308	294	282	276	271	260	250	240	232	223
LO PR	140	130	122	112	106	101	93	83	75	67	59	55	53	45	39	32	28	22

GSZ140601K* - ASPT61D14* + TXV

	OUTDOOR AMBIENT TEMPERATURE																	
	65	60	55	50	47	45	40	35	30	25	20	17	15	10	5	0	-5	-10
MBh	75.8	71.8	67.6	63.2	60.3	58.5	54.3	50.1	45.7	42.2	38.8	36.7	35.3	31.7	28.1	24.5	20.9	17.1
T/R	38.9	36.8	34.7	32.4	30.9	30.0	27.8	25.7	23.4	21.6	19.9	18.8	18.1	16.3	14.4	12.6	10.7	8.8
kW	4.50	4.39	4.28	4.17	4.11	4.07	3.96	3.86	3.60	3.50	3.40	3.34	3.30	3.20	3.10	3.00	2.89	2.79
Amps	24.5	22.5	21.0	19.6	18.8	18.4	17.3	16.3	15.5	14.8	14.0	13.6	13.4	12.6	11.7	10.9	9.9	8.7
COP	4.47	4.32	4.16	3.98	3.85	3.77	3.58	3.38	3.28	3.11	2.93	2.82	2.74	2.53	2.30	2.07	1.82	1.53
HI PR	427	410	394	377	368	361	347	333	319	305	292	285	280	270	259	249	240	231
LO PR	131	121	114	104	99	95	87	78	70	63	55	51	49	42	36	30	27	21

Calculations are based on nominal CFM and 70°F indoor dry bulb.
 High pressure is measured at the suction service valve (the larger valve).
 Low pressure is measured at the gauge port connection.

Amps = Outdoor unit amps (comp.+fan)
 kW = Total system power

MODEL: GSZ140181K* + ARUF25B14** + TXV				
Conditions: 80 °F IBD, 67 °F IWB @ 610 CFM				
OUTDOOR TEM. ° F.	TOTAL BTU/H	SENSIBLE BTU/H	LATENT BTU/H	TOTAL WATTS
75	18,900	13,986	4,914	1,180
80	18,650	14,077	4,573	1,245
85	18,400	14,168	4,232	1,310
90	18,000	14,036	3,964	1,380
95	17,600	13,904	3,696	1,450
100	17,100	13,675	3,425	1,530
105	16,600	13,446	3,154	1,610
110	16,150	13,474	2,676	1,705
115	15,700	13,502	2,198	1,800
TVA Conditions @ 95° OD DB, 75° ID DB 63° ID WB				
95°	17,000	13,600	3,400	1,450

MODEL: GSZ140241K* + ARUF25B14** + TXV				
Conditions: 80 °F IBD, 67 °F IWB @ 870 CFM				
OUTDOOR TEM. ° F.	TOTAL BTU/H	SENSIBLE BTU/H	LATENT BTU/H	TOTAL WATTS
75	25,100	19,076	6,024	1,580
80	25,400	19,093	6,307	1,675
85	24,500	19,110	5,390	1,770
90	24,550	18,915	5,635	1,870
95	23,400	18,720	4,680	1,970
100	23,350	18,532	4,819	2,080
105	22,100	18,343	3,757	2,190
110	22,050	18,368	3,683	2,385
115	20,900	18,392	2,508	2,450
TVA Conditions @ 95° OD DB, 75° ID DB 63° ID WB				
95°	22,600	18,532	4,068	1,970

MODEL: GSZ140301K* + ARUF29B14** + TXV				
Conditions: 80 °F IBD, 67 °F IWB @ 870 CFM				
OUTDOOR TEM. ° F.	TOTAL BTU/H	SENSIBLE BTU/H	LATENT BTU/H	TOTAL WATTS
75	29,600	20,720	8,880	1,880
80	29,250	20,764	8,486	1,995
85	28,900	20,808	8,092	2,110
90	28,250	20,616	7,634	2,230
95	27,600	20,424	7,176	2,350
100	26,850	20,130	6,720	2,490
105	26,100	19,836	6,264	2,630
110	25,400	19,922	5,479	2,790
115	24,700	20,007	4,693	2,950
TVA Conditions @ 95° OD DB, 75° ID DB 63° ID WB				
95°	26,600	19,950	6,650	2,360

MODEL: GSZ140361K* + ARUF37C14** + TXV				
Conditions: 80 °F IBD, 67 °F IWB @ 1070 CFM				
OUTDOOR TEM. ° F.	TOTAL BTU/H	SENSIBLE BTU/H	LATENT BTU/H	TOTAL WATTS
75	37,700	26,390	11,310	2,430
80	37,250	26,443	10,807	2,575
85	36,800	26,496	10,304	2,720
90	36,000	26,272	9,728	2,880
95	35,200	26,048	9,152	3,040
100	34,200	25,640	8,560	3,220
105	33,200	25,232	7,968	3,400
110	32,300	25,333	6,967	3,610
115	31,400	25,434	5,966	3,820
TVA Conditions @ 95° OD DB, 75° ID DB 63° ID WB				
95°	33,900	25,425	8,475	3,050

MODEL: GSZ140421K* + ARUF43C14** + TXV				
Conditions: 80 °F IBD, 67 °F IWB @ 1300 CFM				
OUTDOOR TEM. ° F.	TOTAL BTU/H	SENSIBLE BTU/H	LATENT BTU/H	TOTAL WATTS
75	41,800	29,678	12,122	2,720
80	41,300	29,935	11,365	2,870
85	40,800	30,192	10,608	3,020
90	39,900	29,916	9,984	3,190
95	39,000	29,640	9,360	3,360
100	37,900	29,172	8,728	3,545
105	36,800	28,704	8,096	3,730
110	35,800	28,794	7,006	3,950
115	34,800	28,884	5,916	4,170
TVA Conditions @ 95° OD DB, 75° ID DB 63° ID WB				
95°	37,600	28,952	8,648	3,360

MODEL: GSZ140481K + ARUF61D14** + TXV				
Conditions: 80 °F IBD, 67 °F IWB @ 1560 CFM				
OUTDOOR TEM. ° F.	TOTAL BTU/H	SENSIBLE BTU/H	LATENT BTU/H	TOTAL WATTS
75	48,300	35,742	12,558	3,110
80	47,700	36,005	11,696	3,290
85	47,100	36,267	10,833	3,470
90	46,550	35,909	10,642	3,665
95	45,000	35,550	9,450	3,860
100	43,750	34,988	8,763	4,075
105	42,500	34,425	8,075	4,290
110	41,350	34,499	6,852	4,545
115	40,200	34,572	5,628	4,800
TVA Conditions @ 95° OD DB, 75° ID DB 63° ID WB				
95°	43,400	34,720	8,680	3,860

MODEL: GSZ140491K* + ARUF49C14** + TXV				
Conditions: 80 °F IBD, 67 °F IWB @ 1400 CFM				
OUTDOOR TEM. ° F.	TOTAL BTU/H	SENSIBLE BTU/H	LATENT BTU/H	TOTAL WATTS
75	47,700	33,867	13,833	3,000
80	47,100	33,906	13,194	3,175
85	46,500	33,945	12,555	3,350
90	45,500	33,660	11,840	3,540
95	44,500	33,375	11,125	3,730
100	43,250	33,068	10,183	3,940
105	42,000	32,760	9,240	4,150
110	40,850	32,856	7,995	4,400
115	39,700	32,951	6,749	4,650
TVA Conditions @ 95° OD DB, 75° ID DB 63° ID WB				
95°	42,900	32,604	10,296	3,730

MODEL: GSZ140601K* + ASPT61D14** + TXV				
Conditions: 80 °F IBD, 67 °F IWB @ 1790 CFM				
OUTDOOR TEM. ° F.	TOTAL BTU/H	SENSIBLE BTU/H	LATENT BTU/H	TOTAL WATTS
75	60,600	42,420	18,180	3,770
80	59,850	42,782	17,069	4,010
85	59,100	43,143	15,957	4,250
90	57,800	42,759	15,041	4,505
95	56,500	42,375	14,125	4,760
100	54,900	41,708	13,192	5,045
105	53,300	41,041	12,259	5,330
110	51,900	41,226	10,675	5,670
115	50,500	41,410	9,090	6,010
TVA Conditions @ 95° OD DB, 75° ID DB 63° ID WB				
95°	54,500	41,420	13,080	4,770

OUTDOOR UNIT	INDOOR UNITS		COOLING RATINGS [^]				TVA RATINGS ³		HEATING RATINGS [^]			CFM	AHRI #
	COILS/AIR HANDLERS	FURNACES	TOTAL	SENS.	SEER ¹	EER ²	TOTAL	SENS.	HI ⁴	HSPF ⁵	LOW ⁶		
GSZ14 0181K*	ARUF25B14A*		17,600	13,900	14.0	11.5	17,000	13,600	18,000	8.2	10,000	610	7995033
	ARUF25B14A*+TXV		17,400	13,700	14.0	11.5	16,800	13,400	18,000	8.2	10,000	610	7995034
	ASPT24B14A*		17,200	13,600	14.5	12.0	16,600	13,300	17,200	8.2	10,000	640	8197094
	AVPTC24B14A*		17,200	13,600	14.5	12.0	16,600	13,300	17,200	8.2	10,000	600	7994958
	AWUF31X16A*		17,200	13,600	14.5	12.0	16,600	13,300	17,200	8.2	10,000	620	7994959
	AWUF31X16A*+TXV		17,200	13,600	15.0	12.5	16,600	13,300	17,200	8.2	10,000	620	7994960
	AWUF32XX16A*		17,200	13,600	14.5	12.0	16,600	13,300	17,200	8.2	10,000	620	8005877
	AWUF32XX16A*+TXV		17,200	13,600	15.0	12.5	16,600	13,300	17,200	8.2	10,000	620	8005878
	CA*F3137*6A*+EEP+TXV		17,600	13,900	14.0	11.5	17,000	13,600	18,000	8.2	10,000	610	7995035
	CA*F3636*6D*+MBVC1200** -1A*+TXV		17,600	13,900	15.0	12.5	17,000	13,600	17,600	8.2	10,000	600	7994961
	CA*F3636*6D*+TXV	A*EC960302BNA*	17,200	13,600	15.0	12.5	16,600	13,300	17,400	8.2	10,000	540	7994962
	CA*F3636*6D*+TXV	A*EC960402BNA*	17,200	13,600	15.0	12.5	16,600	13,300	17,400	8.2	10,000	540	7994963
	CA*F3636*6D*+TXV	A*EC960603BNA*	17,200	13,600	15.0	12.5	16,600	13,300	17,400	8.2	10,000	550	7994964
	CA*F3636*6D*+TXV	A*EC960803BNA*	17,200	13,600	15.0	12.5	16,600	13,300	17,400	8.2	10,000	540	7994965
	CA*F3636*6D*+TXV	A*EH800603B*A*	17,800	14,100	15.0	12.5	17,200	13,800	17,800	8.2	10,000	650	7994966
	CA*F3636*6D*+TXV	A*VC80604B*B*	17,600	13,900	14.5	12.0	17,000	13,600	17,600	8.2	10,000	620	7994967
	CA*F3636*6D*+TXV	A*VC960403BNA*	17,600	13,900	14.5	12.0	17,000	13,600	17,600	8.2	10,000	610	7994968
	CA*F3636*6D*+TXV	A*VC960603BNA*	17,600	13,900	14.5	12.0	17,000	13,600	17,600	8.2	10,000	610	7994969
	CA*F3636*6D*+TXV	A*VC960803BNA*	17,600	13,900	14.5	12.0	17,000	13,600	17,600	8.2	10,000	615	7994970
	CA*F3636*6D*+TXV	G*E80603B*B*	17,800	14,100	15.0	12.5	17,200	13,800	17,800	8.2	10,000	650	7994971
	CA*F3636*6D*+TXV	G*EC960302BNA*	17,200	13,600	15.0	12.5	16,600	13,300	17,400	8.2	10,000	540	7994972
	CA*F3636*6D*+TXV	G*EC960402BNA*	17,200	13,600	15.0	12.5	16,600	13,300	17,400	8.2	10,000	540	7994973
	CA*F3636*6D*+TXV	G*EC960603BNA*	17,200	13,600	15.0	12.5	16,600	13,300	17,400	8.2	10,000	550	7994974
	CA*F3636*6D*+TXV	G*EC960803BNA*	17,200	13,600	15.0	12.5	16,600	13,300	17,400	8.2	10,000	540	7994975
	CA*F3636*6D*+TXV	G*VC80604B*B*	17,600	13,900	14.5	12.0	17,000	13,600	17,600	8.2	10,000	620	7994976
	CA*F3636*6D*+TXV	G*VC960403BNA*	17,600	13,900	14.5	12.0	17,000	13,600	17,600	8.2	10,000	610	7994977
	CA*F3636*6D*+TXV	G*VC960603BNA*	17,600	13,900	14.5	12.0	17,000	13,600	17,600	8.2	10,000	610	7994978
	CA*F3636*6D*+TXV	G*VC960803BNA*	17,600	13,900	14.5	12.0	17,000	13,600	17,600	8.2	10,000	615	7994979
	CHPF3636B6C*+MBVC1200** -1A*+TXV		17,600	13,900	15.0	12.5	17,000	13,600	17,600	8.2	10,000	600	7995036
	CHPF3636B6C*+TXV	A*EC960302BNA*	17,200	13,600	15.0	12.5	16,600	13,300	17,400	8.2	10,000	540	7995037
	CHPF3636B6C*+TXV	A*EC960402BNA*	17,200	13,600	15.0	12.5	16,600	13,300	17,400	8.2	10,000	540	7995038
	CHPF3636B6C*+TXV	A*EC960603BNA*	17,200	13,600	15.0	12.5	16,600	13,300	17,400	8.2	10,000	550	7995039
	CHPF3636B6C*+TXV	A*EC960803BNA*	17,200	13,600	15.0	12.5	16,600	13,300	17,400	8.2	10,000	540	7995040
	CHPF3636B6C*+TXV	A*EH800603B*A*	17,800	14,100	15.0	12.5	17,200	13,800	17,800	8.2	10,000	650	7995041
	CHPF3636B6C*+TXV	A*VC80604B*B*	17,600	13,900	14.5	12.0	17,000	13,600	17,600	8.2	10,000	620	7995042
	CHPF3636B6C*+TXV	A*VC960403BNA*	17,600	13,900	14.5	12.0	17,000	13,600	17,600	8.2	10,000	610	7995043
	CHPF3636B6C*+TXV	A*VC960603BNA*	17,600	13,900	14.5	12.0	17,000	13,600	17,600	8.2	10,000	610	7995044
	CHPF3636B6C*+TXV	A*VC960803BNA*	17,600	13,900	14.5	12.0	17,000	13,600	17,600	8.2	10,000	615	7995045
	CHPF3636B6C*+TXV	G*E80603B*B*	17,800	14,100	15.0	12.5	17,200	13,800	17,800	8.2	10,000	650	7995046
	CHPF3636B6C*+TXV	G*EC960302BNA*	17,200	13,600	15.0	12.5	16,600	13,300	17,400	8.2	10,000	540	7995047
	CHPF3636B6C*+TXV	G*EC960402BNA*	17,200	13,600	15.0	12.5	16,600	13,300	17,400	8.2	10,000	540	7995048
	CHPF3636B6C*+TXV	G*EC960603BNA*	17,200	13,600	15.0	12.5	16,600	13,300	17,400	8.2	10,000	550	7995049
CHPF3636B6C*+TXV	G*EC960803BNA*	17,200	13,600	15.0	12.5	16,600	13,300	17,400	8.2	10,000	540	7995050	
CHPF3636B6C*+TXV	G*VC80604B*B*	17,600	13,900	14.5	12.0	17,000	13,600	17,600	8.2	10,000	620	7995051	
CHPF3636B6C*+TXV	G*VC960403BNA*	17,600	13,900	14.5	12.0	17,000	13,600	17,600	8.2	10,000	610	7995052	
CHPF3636B6C*+TXV	G*VC960603BNA*	17,600	13,900	14.5	12.0	17,000	13,600	17,600	8.2	10,000	610	7995053	
CHPF3636B6C*+TXV	G*VC960803BNA*	17,600	13,900	14.5	12.0	17,000	13,600	17,600	8.2	10,000	615	7995054	
CSCF3036N6D*+EEP+TXV		17,600	13,900	14.0	11.5	17,000	13,600	17,600	8.2	10,000	610	7994980	
CSCF3036N6D*+MBVC1200** -1A*+TXV		17,600	13,900	15.0	12.5	17,000	13,600	17,600	8.2	10,000	600	7994981	
CSCF3036N6D*+TXV	A*EC960302BNA*	17,200	13,600	15.0	12.5	16,600	13,300	17,400	8.2	10,000	540	7994982	
CSCF3036N6D*+TXV	A*EC960402BNA*	17,200	13,600	15.0	12.5	16,600	13,300	17,400	8.2	10,000	540	7994983	
CSCF3036N6D*+TXV	A*EC960603BNA*	17,200	13,600	15.0	12.5	16,600	13,300	17,400	8.2	10,000	550	7994984	
CSCF3036N6D*+TXV	A*EC960803BNA*	17,200	13,600	15.0	12.5	16,600	13,300	17,400	8.2	10,000	540	7994985	
CSCF3036N6D*+TXV	A*EH800603B*A*	17,800	14,100	15.0	12.5	17,200	13,800	17,800	8.2	10,000	650	7994986	
CSCF3036N6D*+TXV	A*VC80604B*B*	17,600	13,900	14.5	12.0	17,000	13,600	17,600	8.2	10,000	620	7994987	
CSCF3036N6D*+TXV	A*VC960403BNA*	17,600	13,900	14.5	12.0	17,000	13,600	17,600	8.2	10,000	610	7994988	

See Notes on Page 38.

OUTDOOR UNIT	INDOOR UNITS		COOLING RATINGS [^]				TVA RATINGS ³		HEATING RATINGS [^]			CFM	AHRI #
	COILS/AIR HANDLERS	FURNACES	TOTAL	SENS.	SEER ¹	EER ²	TOTAL	SENS.	HI ⁴	HSPF ⁵	LOW ⁶		
GSZ14 0181K* (cont.)	CSCF3036N6D*+TXV	A*VC960603BNA*	17,600	13,900	14.5	12.0	17,000	13,600	17,600	8.2	10,000	610	7994989
	CSCF3036N6D*+TXV	A*VC960803BNA*	17,600	13,900	14.5	12.0	17,000	13,600	17,600	8.2	10,000	615	7994990
	CSCF3036N6D*+TXV	G*E80603B*B*	17,800	14,100	15.0	12.5	17,200	13,800	17,800	8.2	10,000	650	7994991
	CSCF3036N6D*+TXV	G*EC960302BNA*	17,200	13,600	15.0	12.5	16,600	13,300	17,400	8.2	10,000	540	7994992
	CSCF3036N6D*+TXV	G*EC960402BNA*	17,200	13,600	15.0	12.5	16,600	13,300	17,400	8.2	10,000	540	7994993
	CSCF3036N6D*+TXV	G*EC960603BNA*	17,200	13,600	15.0	12.5	16,600	13,300	17,400	8.2	10,000	550	7994994
	CSCF3036N6D*+TXV	G*EC960803BNA*	17,200	13,600	15.0	12.5	16,600	13,300	17,400	8.2	10,000	540	7994995
	CSCF3036N6D*+TXV	G*VC80604B*B*	17,600	13,900	14.5	12.0	17,000	13,600	17,600	8.2	10,000	620	7994996
	CSCF3036N6D*+TXV	G*VC960403BNA*	17,600	13,900	14.5	12.0	17,000	13,600	17,600	8.2	10,000	610	7994997
	CSCF3036N6D*+TXV	G*VC960603BNA*	17,600	13,900	14.5	12.0	17,000	13,600	17,600	8.2	10,000	610	7994998
CSCF3036N6D*+TXV	G*VC960803BNA*	17,600	13,900	14.5	12.0	17,000	13,600	17,600	8.2	10,000	615	7994999	
GSZ14 0191K*	ARUF25B14A*+TXV		17,400	13,700	14.0	11.5	16,800	13,400	18,000	8.2	10,000	610	8068377
	AWUF31XX16A*+TXV		17,200	13,500	15.0	12.5	16,600	13,300	17,200	8.2	10,000	620	8068380
	AWUF32XX16A*+TXV		17,200	13,500	15.0	12.5	16,600	13,300	17,200	8.2	10,000	620	8068382
GSZ14 0241K*	ARUF25B14A*		23,200	18,600	14.0	11.5	22,400	18,400	23,200	8.2	13,000	870	7995055
	ARUF25B14A*+TXV		23,200	18,600	14.0	11.5	22,400	18,400	23,200	8.2	12,600	870	7995056
	ASPT24B14A*		23,000	18,400	14.5	12.0	22,200	18,200	22,800	8.2	13,400	760	8197095
	AVPTC24B14A*		23,200	18,600	14.5	12.0	22,400	18,400	23,200	8.2	13,400	860	7995057
	AWUF31XX16A*		22,800	18,200	14.5	12.0	22,000	18,100	23,200	8.2	13,000	845	7995000
	AWUF31XX16A*+TXV		22,800	18,200	15.0	12.5	22,000	18,100	23,200	8.2	13,000	845	7995001
	AWUF32XX16A*		22,800	18,200	14.5	12.0	22,000	18,100	23,200	8.2	13,000	845	8005879
	AWUF32XX16A*+TXV		22,800	18,200	15.0	12.5	22,000	18,100	23,200	8.2	13,000	845	8005880
	CA*F3137*6A*+EEP+TXV		23,600	18,900	14.0	11.5	22,800	18,700	23,200	8.2	13,000	870	7995002
	CA*F3636*6D*	A*EC960302BNA*	23,000	18,400	14.5	12.0	22,200	18,200	22,800	8.2	13,000	800	7995078
	CA*F3636*6D*	A*EC960402BNA*	23,000	18,400	14.5	12.0	22,200	18,200	22,800	8.2	13,000	820	7995079
	CA*F3636*6D*	A*EC960603BNA*	23,000	18,400	14.5	12.0	22,200	18,200	22,800	8.2	13,000	840	7995080
	CA*F3636*6D*	A*EC960803BNA*	23,000	18,400	14.5	12.0	22,200	18,200	22,800	8.2	13,000	770	7995081
	CA*F3636*6D*	A*EH800603B*A*	23,200	18,600	14.5	12.0	22,400	18,400	23,000	8.2	13,000	860	7995082
	CA*F3636*6D*	A*VC80604B*B*	23,000	18,400	14.5	12.0	22,200	18,200	22,800	8.2	13,000	850	7995083
	CA*F3636*6D*	A*VC960403BNA*	23,000	18,400	14.5	12.0	22,200	18,200	23,200	8.2	13,000	800	7995084
	CA*F3636*6D*	A*VC960603BNA*	23,000	18,400	14.5	12.0	22,200	18,200	23,200	8.2	13,000	810	7995085
	CA*F3636*6D*	A*VC960803BNA*	23,000	18,400	14.5	12.0	22,200	18,200	23,200	8.2	13,000	810	7995086
	CA*F3636*6D*	G*E80603B*B*	23,200	18,600	14.5	12.0	22,400	18,400	23,000	8.2	13,000	860	7995087
	CA*F3636*6D*	G*EC960302BNA*	23,000	18,400	14.5	12.0	22,200	18,200	22,800	8.2	13,000	800	7995088
	CA*F3636*6D*	G*EC960402BNA*	23,000	18,400	14.5	12.0	22,200	18,200	22,800	8.2	13,000	820	7995089
	CA*F3636*6D*	G*EC960603BNA*	23,000	18,400	14.5	12.0	22,200	18,200	22,800	8.2	13,000	840	7995090
	CA*F3636*6D*	G*EC960803BNA*	23,000	18,400	14.5	12.0	22,200	18,200	22,800	8.2	13,000	770	7995091
	CA*F3636*6D*	G*VC80604B*B*	23,000	18,400	14.5	12.0	22,200	18,200	22,800	8.2	13,000	850	7995092
	CA*F3636*6D*	G*VC960403BNA*	23,000	18,400	14.5	12.0	22,200	18,200	23,200	8.2	13,000	800	7995093
	CA*F3636*6D*	G*VC960603BNA*	23,000	18,400	14.5	12.0	22,200	18,200	23,200	8.2	13,000	810	7995094
	CA*F3636*6D*	G*VC960803BNA*	23,000	18,400	14.5	12.0	22,200	18,200	23,200	8.2	13,000	810	7995095
	CA*F3636*6D*+MBVC1200**~1A*		23,600	18,900	14.5	12.0	22,800	18,700	23,200	8.5	13,000	855	7995058
	CA*F3636*6D*+MBVC1200**~1A*+TXV		23,600	18,900	15.0	12.5	22,800	18,700	23,200	8.5	13,000	855	7995059
	CA*F3636*6D*+TXV	A*EC960302BNA*	23,000	18,400	15.0	12.5	22,200	18,200	22,800	8.2	13,000	800	7995060
	CA*F3636*6D*+TXV	A*EC960402BNA*	23,000	18,400	15.0	12.5	22,200	18,200	22,800	8.2	13,000	820	7995061
	CA*F3636*6D*+TXV	A*EC960603BNA*	23,000	18,400	15.0	12.5	22,200	18,200	22,800	8.2	13,000	840	7995062
	CA*F3636*6D*+TXV	A*EC960803BNA*	23,000	18,400	15.0	12.5	22,200	18,200	22,800	8.2	13,000	770	7995063
	CA*F3636*6D*+TXV	A*EH800603B*A*	23,200	18,600	14.5	12.0	22,400	18,400	23,000	8.2	13,000	860	7995064
	CA*F3636*6D*+TXV	A*VC80604B*B*	23,000	18,400	15.0	12.5	22,200	18,200	22,800	8.2	13,000	850	7995065
	CA*F3636*6D*+TXV	A*VC960403BNA*	23,000	18,400	14.5	12.0	22,200	18,200	23,200	8.2	13,000	800	7995066
	CA*F3636*6D*+TXV	A*VC960603BNA*	23,000	18,400	14.5	12.0	22,200	18,200	23,200	8.2	13,000	810	7995067
	CA*F3636*6D*+TXV	A*VC960803BNA*	23,000	18,400	14.5	12.0	22,200	18,200	23,200	8.2	13,000	810	7995068
	CA*F3636*6D*+TXV	G*E80603B*B*	23,200	18,600	14.5	12.0	22,400	18,400	23,000	8.2	13,000	860	7995069
	CA*F3636*6D*+TXV	G*EC960302BNA*	23,000	18,400	15.0	12.5	22,200	18,200	22,800	8.2	13,000	800	7995070
CA*F3636*6D*+TXV	G*EC960402BNA*	23,000	18,400	15.0	12.5	22,200	18,200	22,800	8.2	13,000	820	7995071	
CA*F3636*6D*+TXV	G*EC960603BNA*	23,000	18,400	15.0	12.5	22,200	18,200	22,800	8.2	13,000	840	7995072	

See Notes on Page 38.

OUTDOOR UNIT	INDOOR UNITS		COOLING RATINGS [^]				TVA RATINGS ³		HEATING RATINGS [^]			CFM	AHRI #
	COILS/AIR HANDLERS	FURNACES	TOTAL	SENS.	SEER ¹	EER ²	TOTAL	SENS.	HI ⁴	HSPF ⁵	LOW ⁶		
GSZ14 0241K* (cont.)	CA*F3636*6D*+TXV	G*EC960803BNA*	23,000	18,400	15.0	12.5	22,200	18,200	22,800	8.2	13,000	770	7995073
	CA*F3636*6D*+TXV	G*VC80604B*B*	23,000	18,400	15.0	12.5	22,200	18,200	22,800	8.2	13,000	850	7995074
	CA*F3636*6D*+TXV	G*VC960403BNA*	23,000	18,400	14.5	12.0	22,200	18,200	23,200	8.2	13,000	800	7995075
	CA*F3636*6D*+TXV	G*VC960603BNA*	23,000	18,400	14.5	12.0	22,200	18,200	23,200	8.2	13,000	810	7995076
	CA*F3636*6D*+TXV	G*VC960803BNA*	23,000	18,400	14.5	12.0	22,200	18,200	23,200	8.2	13,000	810	7995077
	CHPF3636B6C*	A*EC960302BNA*	23,000	18,400	14.5	12.0	22,200	18,200	22,800	8.2	13,000	800	7995014
	CHPF3636B6C*	A*EC960402BNA*	23,000	18,400	14.5	12.0	22,200	18,200	22,800	8.2	13,000	820	7995015
	CHPF3636B6C*	A*EC960603BNA*	23,000	18,400	14.5	12.0	22,200	18,200	22,800	8.2	13,000	840	7995016
	CHPF3636B6C*	A*EC960803BNA*	23,000	18,400	14.5	12.0	22,200	18,200	22,800	8.2	13,000	770	7995017
	CHPF3636B6C*	A*EH800603B*A*	23,200	18,600	14.5	12.0	22,400	18,400	23,200	8.2	13,000	860	7995018
	CHPF3636B6C*	A*VC80604B*B*	23,000	18,400	14.5	12.0	22,200	18,200	22,800	8.2	13,000	850	7995019
	CHPF3636B6C*	G*E80603B*B*	23,200	18,600	14.5	12.0	22,400	18,400	23,200	8.2	13,000	860	7995020
	CHPF3636B6C*	G*EC960302BNA*	23,000	18,400	14.5	12.0	22,200	18,200	22,800	8.2	13,000	800	7995021
	CHPF3636B6C*	G*EC960402BNA*	23,000	18,400	14.5	12.0	22,200	18,200	22,800	8.2	13,000	820	7995022
	CHPF3636B6C*	G*EC960603BNA*	23,000	18,400	14.5	12.0	22,200	18,200	22,800	8.2	13,000	840	7995023
	CHPF3636B6C*	G*EC960803BNA*	23,000	18,400	14.5	12.0	22,200	18,200	22,800	8.2	13,000	770	7995024
	CHPF3636B6C*	G*VC80604B*B*	23,000	18,400	14.5	12.0	22,200	18,200	22,800	8.2	13,000	850	7995025
	CHPF3636B6C*	A*VC960403BNA*	23,000	18,400	14.5	12.0	22,200	18,200	23,200	8.2	13,000	800	7995106
	CHPF3636B6C*	A*VC960603BNA*	23,000	18,400	14.5	12.0	22,200	18,200	23,200	8.2	13,000	810	7995107
	CHPF3636B6C*	A*VC960803BNA*	23,000	18,400	14.5	12.0	22,200	18,200	23,200	8.2	13,000	810	7995108
	CHPF3636B6C*	G*VC960403BNA*	23,000	18,400	14.5	12.0	22,200	18,200	23,200	8.2	13,000	800	7995109
	CHPF3636B6C*	G*VC960603BNA*	23,000	18,400	14.5	12.0	22,200	18,200	23,200	8.2	13,000	810	7995110
	CHPF3636B6C*	G*VC960803BNA*	23,000	18,400	14.5	12.0	22,200	18,200	23,200	8.2	13,000	810	7995111
	CHPF3636B6C*+EEP+TXV		23,200	18,600	14.0	11.5	22,400	18,400	23,200	8.2	13,000	870	7995003
	CHPF3636B6C*+MBVC1200**-1A*		23,600	18,900	14.5	12.0	22,800	18,700	23,200	8.5	13,000	855	7995096
	CHPF3636B6C*+MBVC1200**-1A*+TXV		23,600	18,900	15.0	12.5	22,800	18,700	23,200	8.5	13,000	855	7995097
	CHPF3636B6C*+TXV	A*EC960302BNA*	23,000	18,400	15.0	12.5	22,200	18,200	22,800	8.2	13,000	800	7995004
	CHPF3636B6C*+TXV	A*EC960402BNA*	23,000	18,400	15.0	12.5	22,200	18,200	22,800	8.2	13,000	820	7995005
	CHPF3636B6C*+TXV	A*EC960603BNA*	23,000	18,400	15.0	12.5	22,200	18,200	22,800	8.2	13,000	840	7995006
	CHPF3636B6C*+TXV	A*EC960803BNA*	23,000	18,400	15.0	12.5	22,200	18,200	22,800	8.2	13,000	770	7995007
	CHPF3636B6C*+TXV	A*EH800603B*A*	23,200	18,600	14.5	12.0	22,400	18,400	23,200	8.2	13,000	860	7995008
	CHPF3636B6C*+TXV	G*E80603B*B*	23,200	18,600	14.5	12.0	22,400	18,400	23,200	8.2	13,000	860	7995009
	CHPF3636B6C*+TXV	G*EC960302BNA*	23,000	18,400	15.0	12.5	22,200	18,200	22,800	8.2	13,000	800	7995010
CHPF3636B6C*+TXV	G*EC960402BNA*	23,000	18,400	15.0	12.5	22,200	18,200	22,800	8.2	13,000	820	7995011	
CHPF3636B6C*+TXV	G*EC960603BNA*	23,000	18,400	15.0	12.5	22,200	18,200	22,800	8.2	13,000	840	7995012	
CHPF3636B6C*+TXV	G*EC960803BNA*	23,000	18,400	15.0	12.5	22,200	18,200	22,800	8.2	13,000	770	7995013	
CHPF3636B6C*+TXV	A*VC80604B*B*	23,000	18,400	15.0	12.5	22,200	18,200	22,800	8.2	13,000	850	7995098	
CHPF3636B6C*+TXV	A*VC960403BNA*	23,000	18,400	14.5	12.0	22,200	18,200	23,200	8.2	13,000	800	7995099	
CHPF3636B6C*+TXV	A*VC960603BNA*	23,000	18,400	14.5	12.0	22,200	18,200	23,200	8.2	13,000	810	7995100	
CHPF3636B6C*+TXV	A*VC960803BNA*	23,000	18,400	14.5	12.0	22,200	18,200	23,200	8.2	13,000	810	7995101	
CHPF3636B6C*+TXV	G*VC80604B*B*	23,000	18,400	15.0	12.5	22,200	18,200	22,800	8.2	13,000	850	7995102	
CHPF3636B6C*+TXV	G*VC960403BNA*	23,000	18,400	14.5	12.0	22,200	18,200	23,200	8.2	13,000	800	7995103	
CHPF3636B6C*+TXV	G*VC960603BNA*	23,000	18,400	14.5	12.0	22,200	18,200	23,200	8.2	13,000	810	7995104	
CHPF3636B6C*+TXV	G*VC960803BNA*	23,000	18,400	14.5	12.0	22,200	18,200	23,200	8.2	13,000	810	7995105	
GSZ14 0251K*	ARUF25B14A*+TXV		23,200	18,700	14.0	11.5	22,400	18,400	23,200	8.2	12,600	870	8068383
	AWUF31XX16A*+TXV		22,800	18,300	15.0	12.5	22,000	18,100	23,200	8.2	13,000	845	8068388
	AWUF32XX16A*+TXV		22,800	18,300	15.0	12.5	22,000	18,100	23,200	8.2	13,000	845	8068392
GSZ14 0301K*	ARUF29B14A*+TXV		27,600	20,400	14.0	11.5	26,600	20,000	28,400	8.2	16,200	870	7995112
	ARUF31B14A*		28,000	20,800	14.0	12.0	27,000	20,200	27,800	8.2	16,200	910	7995113
	ASPT36C14A*		27,800	20,600	14.5	12.0	26,800	20,000	28,000	8.5	16,000	960	8197096
	AVPTC30C14A*		27,800	20,600	15.0	12.5	26,800	20,000	28,000	8.5	16,000	860	7995114
	AWUF31XX16A*		27,800	20,600	14.0	12.0	26,800	20,000	28,000	8.2	17,000	980	7995115
	AWUF31XX16A*+TXV		27,800	20,600	14.5	12.0	26,800	20,000	28,000	8.2	17,000	980	7995116
	AWUF32XX16A*		27,800	20,600	14.0	12.0	26,800	20,000	28,000	8.2	17,000	980	8005881
	AWUF32XX16A*+TXV		27,800	20,600	14.5	12.0	26,800	20,000	28,000	8.2	17,000	980	8005882
	CA*F3137*6A*	A*EC960603BNA*	28,400	21,000	14.0	11.5	27,400	20,600	28,200	8.5	16,400	1,020	7995132

See Notes on Page 38.

OUTDOOR UNIT	INDOOR UNITS		COOLING RATINGS [^]				TVA RATINGS ³		HEATING RATINGS [^]			CFM	AHRI #
	COILS/AIR HANDLERS	FURNACES	TOTAL	SENS.	SEER ¹	EER ²	TOTAL	SENS.	HI ⁴	HSPF ⁵	LOW ⁶		
	CA*F3137*6A*	A*EC960803BNA*	28,400	21,000	14.0	11.5	27,400	20,600	28,200	8.5	16,600	990	7995133
	CA*F3137*6A*	A*EH800603B*A*	28,400	21,000	14.0	11.5	27,400	20,600	28,000	8.2	16,400	860	7995134
	CA*F3137*6A*	A*VC80604B*B*	28,400	21,000	14.0	11.5	27,400	20,600	28,200	8.5	16,600	995	7995135
	CA*F3137*6A*	A*VC960403BNA*	28,400	21,000	14.5	11.5	27,400	20,600	28,200	8.5	16,600	1,000	7995136
	CA*F3137*6A*	A*VC960603BNA*	28,400	21,000	14.5	11.5	27,400	20,600	28,200	8.5	16,400	910	7995137
	CA*F3137*6A*	A*VC960803BNA*	28,400	21,000	14.5	11.5	27,400	20,600	28,200	8.5	16,400	920	7995138
	CA*F3137*6A*	G*E80603B*B*	28,400	21,000	14.0	11.5	27,400	20,600	28,000	8.2	16,400	860	7995139
	CA*F3137*6A*	G*EC960603BNA*	28,400	21,000	14.0	11.5	27,400	20,600	28,200	8.5	16,400	1,020	7995140
	CA*F3137*6A*	G*EC960803BNA*	28,400	21,000	14.0	11.5	27,400	20,600	28,200	8.5	16,600	990	7995141
	CA*F3137*6A*	G*VC80604B*B*	28,400	21,000	14.0	11.5	27,400	20,600	28,200	8.5	16,600	995	7995142
	CA*F3137*6A*	G*VC960403BNA*	28,400	21,000	14.5	11.5	27,400	20,600	28,200	8.5	16,600	1,000	7995143
	CA*F3137*6A*	G*VC960603BNA*	28,400	21,000	14.5	11.5	27,400	20,600	28,200	8.5	16,400	910	7995144
	CA*F3137*6A*	G*VC960803BNA*	28,400	21,000	14.5	11.5	27,400	20,600	28,200	8.5	16,400	920	7995145
	CA*F3137*6A*+EEP+TXV		28,000	20,800	14.0	11.5	27,000	20,200	28,000	8.2	16,600	870	7995117
	CA*F3137*6A*+TXV	A*EC960603BNA*	28,400	21,000	14.5	12.0	27,400	20,600	28,200	8.5	16,600	1,020	7995118
	CA*F3137*6A*+TXV	A*EC960803BNA*	28,400	21,000	14.5	12.0	27,400	20,600	28,200	8.5	16,600	990	7995119
	CA*F3137*6A*+TXV	A*EH800603B*A*	28,400	21,000	14.5	12.0	27,400	20,600	28,000	8.2	16,400	860	7995120
	CA*F3137*6A*+TXV	A*VC80604B*B*	28,400	21,000	14.5	12.0	27,400	20,600	28,200	8.5	16,600	995	7995121
	CA*F3137*6A*+TXV	A*VC960403BNA*	28,400	21,000	15.0	12.0	27,400	20,600	28,200	8.5	16,600	1,000	7995122
	CA*F3137*6A*+TXV	A*VC960603BNA*	28,400	21,000	15.0	12.0	27,400	20,600	28,200	8.5	16,400	910	7995123
	CA*F3137*6A*+TXV	A*VC960803BNA*	28,400	21,000	15.0	12.0	27,400	20,600	28,200	8.5	16,400	920	7995124
	CA*F3137*6A*+TXV	G*E80603B*B*	28,400	21,000	14.5	12.0	27,400	20,600	28,000	8.2	16,400	860	7995125
	CA*F3137*6A*+TXV	G*EC960603BNA*	28,400	21,000	14.5	12.0	27,400	20,600	28,200	8.5	16,600	1,020	7995126
	CA*F3137*6A*+TXV	G*EC960803BNA*	28,400	21,000	14.5	12.0	27,400	20,600	28,200	8.5	16,600	990	7995127
	CA*F3137*6A*+TXV	G*VC80604B*B*	28,400	21,000	14.5	12.0	27,400	20,600	28,200	8.5	16,600	995	7995128
	CA*F3137*6A*+TXV	G*VC960403BNA*	28,400	21,000	15.0	12.0	27,400	20,600	28,200	8.5	16,600	1,000	7995129
	CA*F3137*6A*+TXV	G*VC960603BNA*	28,400	21,000	15.0	12.0	27,400	20,600	28,200	8.5	16,400	910	7995130
	CA*F3137*6A*+TXV	G*VC960803BNA*	28,400	21,000	15.0	12.0	27,400	20,600	28,200	8.5	16,400	920	7995131
GSZ14 0301K* (cont.)	CA*F3642*6D*+MBVC1200** -1A*		28,000	20,800	14.5	12.0	27,000	20,200	28,000	8.5	16,200	855	7995146
	CA*F3642*6D*+MBVC1200** -1A*+TXV		28,000	20,800	15.0	12.5	27,000	20,200	28,000	8.5	16,200	855	7995147
	CA*F3642*6D*+MBVC1600** -1A*		28,000	20,800	14.5	12.0	27,000	20,200	28,000	8.5	16,200	855	7995148
	CA*F3642*6D*+MBVC1600** -1A*+TXV		28,000	20,800	15.0	12.5	27,000	20,200	28,000	8.5	16,200	855	7995149
	CA*F3743*6D*	A*VC80805C*B*	28,200	20,800	14.5	12.0	27,200	20,400	28,000	8.5	16,200	880	7995157
	CA*F3743*6D*	A*VC960804CNA*	28,200	20,800	14.5	12.0	27,200	20,400	28,000	8.5	16,200	940	7995158
	CA*F3743*6D*	A*VC961005CNA*	28,200	20,800	14.5	12.0	27,200	20,400	28,000	8.5	16,200	865	7995159
	CA*F3743*6D*	G*VC80805C*B*	28,200	20,800	14.5	12.0	27,200	20,400	28,000	8.5	16,200	880	7995160
	CA*F3743*6D*	G*VC960804CNA*	28,200	20,800	14.5	12.0	27,200	20,400	28,000	8.5	16,200	940	7995161
	CA*F3743*6D*	G*VC961005CNA*	28,200	20,800	14.5	12.0	27,200	20,400	28,000	8.5	16,200	865	7995162
	CA*F3743*6D*+TXV		28,000	20,800	14.0	11.5	27,000	20,200	28,000	8.2	16,600	870	7995150
	CA*F3743*6D*+TXV	A*VC80805C*B*	28,200	20,800	15.0	12.5	27,200	20,400	28,000	8.5	16,200	880	7995151
	CA*F3743*6D*+TXV	A*VC960804CNA*	28,200	20,800	15.0	12.5	27,200	20,400	28,000	8.5	16,200	940	7995152
	CA*F3743*6D*+TXV	A*VC961005CNA*	28,200	20,800	15.0	12.5	27,200	20,400	28,000	8.5	16,200	865	7995153
	CA*F3743*6D*+TXV	G*VC80805C*B*	28,200	20,800	15.0	12.5	27,200	20,400	28,000	8.5	16,200	880	7995154
	CA*F3743*6D*+TXV	G*VC960804CNA*	28,200	20,800	15.0	12.5	27,200	20,400	28,000	8.5	16,200	940	7995155
	CA*F3743*6D*+TXV	G*VC961005CNA*	28,200	20,800	15.0	12.5	27,200	20,400	28,000	8.5	16,200	865	7995156
	CHPF3636B6C*	A*EC960603BNA*	28,400	21,000	14.0	11.5	27,400	20,600	28,400	8.5	16,600	1,020	7995177
	CHPF3636B6C*	A*EC960803BNA*	28,400	21,000	14.0	11.5	27,400	20,600	28,400	8.5	16,600	990	7995178
	CHPF3636B6C*	A*EH800603B*A*	28,000	20,800	14.0	11.5	27,000	20,200	28,000	8.2	16,200	860	7995179
	CHPF3636B6C*	A*VC80604B*B*	28,400	21,000	14.0	11.5	27,400	20,600	28,400	8.5	16,600	995	7995180
	CHPF3636B6C*	A*VC960403BNA*	28,400	21,000	14.0	11.5	27,400	20,600	28,400	8.5	16,600	1,000	7995181
	CHPF3636B6C*	A*VC960603BNA*	28,200	20,800	14.0	11.5	27,200	20,400	28,400	8.5	16,400	910	7995182
	CHPF3636B6C*	A*VC960803BNA*	28,200	20,800	14.0	11.5	27,200	20,400	28,400	8.5	16,400	920	7995183
	CHPF3636B6C*	G*E80603B*B*	28,000	20,800	14.0	11.5	27,000	20,200	28,000	8.2	16,200	860	7995184
	CHPF3636B6C*	G*EC960603BNA*	28,400	21,000	14.0	11.5	27,400	20,600	28,400	8.5	16,600	1,020	7995185
	CHPF3636B6C*	G*EC960803BNA*	28,400	21,000	14.0	11.5	27,400	20,600	28,400	8.5	16,600	990	7995186
	CHPF3636B6C*	G*VC80604B*B*	28,400	21,000	14.0	11.5	27,400	20,600	28,400	8.5	16,600	995	7995187

See Notes on Page 38.

OUTDOOR UNIT	INDOOR UNITS		COOLING RATINGS [^]				TVA RATINGS ³		HEATING RATINGS [^]			CFM	AHRI #
	COILS/AIR HANDLERS	FURNACES	TOTAL	SENS.	SEER ¹	EER ²	TOTAL	SENS.	HI ⁴	HSPF ⁵	LOW ⁶		
GSZ14 0301K* (cont.)	CHPF3636B6C*	G*VC960403BNA*	28,400	21,000	14.0	11.5	27,400	20,600	28,400	8.5	16,600	1,000	7995188
	CHPF3636B6C*	G*VC960603BNA*	28,200	20,800	14.0	11.5	27,200	20,400	28,400	8.5	16,400	910	7995189
	CHPF3636B6C*	G*VC960803BNA*	28,200	20,800	14.0	11.5	27,200	20,400	28,400	8.5	16,400	920	7995190
	CHPF3636B6C*+TXV	A*EC960603BNA*	28,400	21,000	14.5	12.0	27,400	20,600	28,400	8.5	16,600	1,020	7995163
	CHPF3636B6C*+TXV	A*EC960803BNA*	28,400	21,000	14.5	12.0	27,400	20,600	28,400	8.5	16,600	990	7995164
	CHPF3636B6C*+TXV	A*EH800603B*A*	28,000	20,800	14.5	12.0	27,000	20,200	28,000	8.2	16,200	860	7995165
	CHPF3636B6C*+TXV	A*VC80604B*B*	28,400	21,000	14.5	12.0	27,400	20,600	28,400	8.5	16,600	995	7995166
	CHPF3636B6C*+TXV	A*VC960403BNA*	28,400	21,000	14.5	12.0	27,400	20,600	28,400	8.5	16,600	1,000	7995167
	CHPF3636B6C*+TXV	A*VC960603BNA*	28,200	20,800	14.5	12.0	27,200	20,400	28,400	8.5	16,400	910	7995168
	CHPF3636B6C*+TXV	A*VC960803BNA*	28,200	20,800	14.5	12.0	27,200	20,400	28,400	8.5	16,400	920	7995169
	CHPF3636B6C*+TXV	G*E80603B*B*	28,000	20,800	14.5	12.0	27,000	20,200	28,000	8.2	16,200	860	7995170
	CHPF3636B6C*+TXV	G*EC960603BNA*	28,400	21,000	14.5	12.0	27,400	20,600	28,400	8.5	16,600	1,020	7995171
	CHPF3636B6C*+TXV	G*EC960803BNA*	28,400	21,000	14.5	12.0	27,400	20,600	28,400	8.5	16,600	990	7995172
	CHPF3636B6C*+TXV	G*VC80604B*B*	28,400	21,000	14.5	12.0	27,400	20,600	28,400	8.5	16,600	995	7995173
	CHPF3636B6C*+TXV	G*VC960403BNA*	28,400	21,000	14.5	12.0	27,400	20,600	28,400	8.5	16,600	1,000	7995174
	CHPF3636B6C*+TXV	G*VC960603BNA*	28,200	20,800	14.5	12.0	27,200	20,400	28,400	8.5	16,400	910	7995175
	CHPF3636B6C*+TXV	G*VC960803BNA*	28,200	20,800	14.5	12.0	27,200	20,400	28,400	8.5	16,400	920	7995176
	CHPF3642C6C*	A*VC80805C*B*	28,000	20,800	14.5	12.0	27,000	20,200	28,000	8.2	16,200	880	7995201
	CHPF3642C6C*	A*VC960804CNA*	28,200	20,800	14.5	12.0	27,200	20,400	28,400	8.5	16,400	940	7995202
	CHPF3642C6C*	A*VC961005CNA*	28,000	20,800	14.5	12.0	27,000	20,200	28,000	8.2	16,200	865	7995203
	CHPF3642C6C*	G*VC80805C*B*	28,000	20,800	14.5	12.0	27,000	20,200	28,000	8.2	16,200	880	7995204
	CHPF3642C6C*	G*VC960804CNA*	28,200	20,800	14.5	12.0	27,200	20,400	28,400	8.5	16,400	940	7995205
	CHPF3642C6C*	G*VC961005CNA*	28,000	20,800	14.5	12.0	27,000	20,200	28,000	8.2	16,200	865	7995206
	CHPF3642C6C*+MBVC1200**-1A*		28,000	20,800	14.5	12.0	27,000	20,200	28,000	8.5	16,200	855	7995191
	CHPF3642C6C*+MBVC1200**-1A*+TXV		28,000	20,800	15.0	12.5	27,000	20,200	28,000	8.5	16,200	855	7995192
	CHPF3642C6C*+MBVC1600**-1A*		28,000	20,800	14.5	12.0	27,000	20,200	28,000	8.5	16,200	855	7995193
	CHPF3642C6C*+MBVC1600**-1A*+TXV		28,000	20,800	15.0	12.5	27,000	20,200	28,000	8.5	16,200	855	7995194
	CHPF3642C6C*+TXV	A*VC80805C*B*	28,000	20,800	15.0	12.5	27,000	20,200	28,000	8.2	16,200	880	7995195
	CHPF3642C6C*+TXV	A*VC960804CNA*	28,200	20,800	15.0	12.5	27,200	20,400	28,400	8.5	16,400	940	7995196
	CHPF3642C6C*+TXV	A*VC961005CNA*	28,000	20,800	15.0	12.5	27,000	20,200	28,000	8.2	16,200	865	7995197
	CHPF3642C6C*+TXV	G*VC80805C*B*	28,000	20,800	15.0	12.5	27,000	20,200	28,000	8.2	16,200	880	7995198
	CHPF3642C6C*+TXV	G*VC960804CNA*	28,200	20,800	15.0	12.5	27,200	20,400	28,400	8.5	16,400	940	7995199
	CHPF3642C6C*+TXV	G*VC961005CNA*	28,000	20,800	15.0	12.5	27,000	20,200	28,000	8.2	16,200	865	7995200
	CHPF3743C6B*+EEP+TXV		28,000	20,800	14.0	11.5	27,000	20,200	28,000	8.2	17,000	870	7995207
	CSCF3642N6D*	A*EC960603BNA*	28,400	21,000	14.0	11.5	27,400	20,600	28,200	8.5	16,600	1,020	7995233
	CSCF3642N6D*	A*EC960803BNA*	28,400	21,000	14.0	11.5	27,400	20,600	28,200	8.5	16,600	990	7995234
	CSCF3642N6D*	A*EH800603B*A*	28,400	21,000	14.0	11.5	27,400	20,600	28,200	8.5	16,200	860	7995235
	CSCF3642N6D*	A*VC80604B*B*	28,400	21,000	14.0	11.5	27,400	20,600	28,200	8.5	16,600	995	7995236
	CSCF3642N6D*	A*VC80805C*B*	28,400	21,000	14.5	12.0	27,400	20,600	28,200	8.5	16,200	880	7995237
	CSCF3642N6D*	A*VC960403BNA*	28,400	21,000	14.0	11.5	27,400	20,600	28,200	8.5	16,600	1,000	7995238
	CSCF3642N6D*	A*VC960603BNA*	28,400	21,000	14.0	11.5	27,400	20,600	28,200	8.5	16,400	910	7995239
	CSCF3642N6D*	A*VC960803BNA*	28,400	21,000	14.0	11.5	27,400	20,600	28,200	8.5	16,400	920	7995240
	CSCF3642N6D*	A*VC960804CNA*	28,400	21,000	14.5	12.0	27,400	20,600	28,200	8.5	16,400	940	7995241
	CSCF3642N6D*	A*VC961005CNA*	28,400	21,000	14.5	12.0	27,400	20,600	28,200	8.5	16,200	865	7995242
	CSCF3642N6D*	G*E80603B*B*	28,400	21,000	14.0	11.5	27,400	20,600	28,200	8.5	16,200	860	7995243
	CSCF3642N6D*	G*EC960603BNA*	28,400	21,000	14.0	11.5	27,400	20,600	28,200	8.5	16,600	1,020	7995244
	CSCF3642N6D*	G*EC960803BNA*	28,400	21,000	14.0	11.5	27,400	20,600	28,200	8.5	16,600	990	7995245
	CSCF3642N6D*	G*VC80604B*B*	28,400	21,000	14.0	11.5	27,400	20,600	28,200	8.5	16,600	995	7995246
	CSCF3642N6D*	G*VC80805C*B*	28,400	21,000	14.5	12.0	27,400	20,600	28,200	8.5	16,200	880	7995247
	CSCF3642N6D*	G*VC960403BNA*	28,400	21,000	14.0	11.5	27,400	20,600	28,200	8.5	16,600	1,000	7995248
CSCF3642N6D*	G*VC960603BNA*	28,400	21,000	14.0	11.5	27,400	20,600	28,200	8.5	16,400	910	7995249	
CSCF3642N6D*	G*VC960803BNA*	28,400	21,000	14.0	11.5	27,400	20,600	28,200	8.5	16,400	920	7995250	
CSCF3642N6D*	G*VC960804CNA*	28,400	21,000	14.5	12.0	27,400	20,600	28,200	8.5	16,400	940	7995251	
CSCF3642N6D*	G*VC961005CNA*	28,400	21,000	14.5	12.0	27,400	20,600	28,200	8.5	16,200	865	7995252	
CSCF3642N6D*+EEP+TXV		28,000	20,800	14.0	11.5	27,000	20,200	28,800	8.2	17,000	870	7995208	
CSCF3642N6D*+MBVC1200**-1A*		28,400	21,000	14.5	12.0	27,400	20,600	28,200	8.5	16,200	855	7995209	

See Notes on Page 38.

OUTDOOR UNIT	INDOOR UNITS		COOLING RATINGS ¹				TVA RATINGS ³		HEATING RATINGS ¹			CFM	AHRI #
	COILS/AIR HANDLERS	FURNACES	TOTAL	SENS.	SEER ¹	EER ²	TOTAL	SENS.	HI ⁴	HSPF ⁵	LOW ⁶		
GSZ14 0301K* (cont.)	CSCF3642N6D*+MBVC1200** ¹ -1A*+TXV		28,400	21,000	15.0	12.5	27,400	20,600	28,200	8.5	16,200	855	7995210
	CSCF3642N6D*+MBVC1600** ¹ -1A*		28,400	21,000	14.5	12.0	27,400	20,600	28,200	8.5	16,200	855	7995211
	CSCF3642N6D*+MBVC1600** ¹ -1A*+TXV		28,400	21,000	15.0	12.5	27,400	20,600	28,200	8.5	16,200	855	7995212
	CSCF3642N6D*+TXV	A*EC960603BNA*	28,400	21,000	14.5	12.0	27,400	20,600	28,200	8.5	16,600	1,020	7995213
	CSCF3642N6D*+TXV	A*EC960803BNA*	28,400	21,000	14.5	12.0	27,400	20,600	28,200	8.5	16,600	990	7995214
	CSCF3642N6D*+TXV	A*EH800603B*A*	28,400	21,000	14.5	12.0	27,400	20,600	28,200	8.5	16,200	860	7995215
	CSCF3642N6D*+TXV	A*VC80604B*B*	28,400	21,000	14.5	12.0	27,400	20,600	28,200	8.5	16,600	995	7995216
	CSCF3642N6D*+TXV	A*VC80805C*B*	28,400	21,000	15.0	12.5	27,400	20,600	28,200	8.5	16,200	880	7995217
	CSCF3642N6D*+TXV	A*VC960403BNA*	28,400	21,000	14.5	12.0	27,400	20,600	28,200	8.5	16,600	1,000	7995218
	CSCF3642N6D*+TXV	A*VC960603BNA*	28,400	21,000	14.5	12.0	27,400	20,600	28,200	8.5	16,400	910	7995219
	CSCF3642N6D*+TXV	A*VC960803BNA*	28,400	21,000	14.5	12.0	27,400	20,600	28,200	8.5	16,400	920	7995220
	CSCF3642N6D*+TXV	A*VC960804CNA*	28,400	21,000	15.0	12.5	27,400	20,600	28,200	8.5	16,400	940	7995221
	CSCF3642N6D*+TXV	A*VC961005CNA*	28,400	21,000	15.0	12.5	27,400	20,600	28,200	8.5	16,200	865	7995222
	CSCF3642N6D*+TXV	G*E80603B*B*	28,400	21,000	14.5	12.0	27,400	20,600	28,200	8.5	16,200	860	7995223
	CSCF3642N6D*+TXV	G*EC960603BNA*	28,400	21,000	14.5	12.0	27,400	20,600	28,200	8.5	16,600	1,020	7995224
	CSCF3642N6D*+TXV	G*EC960803BNA*	28,400	21,000	14.5	12.0	27,400	20,600	28,200	8.5	16,600	990	7995225
	CSCF3642N6D*+TXV	G*VC80604B*B*	28,400	21,000	14.5	12.0	27,400	20,600	28,200	8.5	16,600	995	7995226
	CSCF3642N6D*+TXV	G*VC80805C*B*	28,400	21,000	15.0	12.5	27,400	20,600	28,200	8.5	16,200	880	7995227
	CSCF3642N6D*+TXV	G*VC960403BNA*	28,400	21,000	14.5	12.0	27,400	20,600	28,200	8.5	16,600	1,000	7995228
	CSCF3642N6D*+TXV	G*VC960603BNA*	28,400	21,000	14.5	12.0	27,400	20,600	28,200	8.5	16,400	910	7995229
CSCF3642N6D*+TXV	G*VC960803BNA*	28,400	21,000	14.5	12.0	27,400	20,600	28,200	8.5	16,400	920	7995230	
CSCF3642N6D*+TXV	G*VC960804CNA*	28,400	21,000	15.0	12.5	27,400	20,600	28,200	8.5	16,400	940	7995231	
CSCF3642N6D*+TXV	G*VC961005CNA*	28,400	21,000	15.0	12.5	27,400	20,600	28,200	8.5	16,200	865	7995232	
GSZ14 0311K*	ARUF29B14A*+TXV		27,600	20,400	14.0	11.5	26,600	20,000	28,400	8.2	16,200	870	8068393
	AWUF31XX16A*+TXV		27,800	20,600	14.5	12.0	26,800	20,000	28,000	8.2	17,000	980	8068399
	AWUF32XX16A*+TXV		27,800	20,600	14.5	12.0	26,800	20,000	28,000	8.2	17,000	980	8068402
GSZ14 0361K*	ARUF37C14A*+TXV		34,600	25,600	14.0	11.5	33,400	25,000	32,800	8.2	19,000	1,070	7995253
	ARUF37D14A*		34,400	25,400	14.0	11.5	33,200	24,800	32,800	8.2	20,000	1,070	7995254
	ASPT42D14A*		34,000	25,200	14.5	12.0	32,800	24,600	33,000	8.5	20,000	1,060	8197097
	AVPTC36C14A*		34,400	25,400	14.0	11.5	33,200	24,800	32,600	8.2	20,000	1,150	7995255
	CA*F3137*6A*+TXV	A*EC960603BNA*	34,600	25,600	14.0	11.5	33,400	25,000	32,000	8.2	19,600	1,020	7995256
	CA*F3137*6A*+TXV	A*EC960803BNA*	34,600	25,600	14.0	11.5	33,400	25,000	32,000	8.2	19,600	1,010	7995257
	CA*F3137*6A*+TXV	A*EH800603B*A*	34,600	25,600	14.0	11.5	33,400	25,000	32,200	8.2	19,600	1,100	7995258
	CA*F3137*6A*+TXV	A*VC80604B*B*	34,600	25,600	14.0	11.5	33,400	25,000	32,000	8.2	19,600	1,100	7995259
	CA*F3137*6A*+TXV	A*VC960403BNA*	34,600	25,600	14.0	11.5	33,400	25,000	32,000	8.2	19,600	1,080	7995260
	CA*F3137*6A*+TXV	A*VC960603BNA*	34,600	25,600	14.0	11.5	33,400	25,000	32,000	8.2	19,600	1,060	7995261
	CA*F3137*6A*+TXV	A*VC960803BNA*	34,600	25,600	14.0	11.5	33,400	25,000	32,000	8.2	19,600	1,100	7995262
	CA*F3137*6A*+TXV	G*E80603B*B*	34,600	25,600	14.0	11.5	33,400	25,000	32,200	8.2	19,600	1,100	7995263
	CA*F3137*6A*+TXV	G*EC960603BNA*	34,600	25,600	14.0	11.5	33,400	25,000	32,000	8.2	19,600	1,020	7995264
	CA*F3137*6A*+TXV	G*EC960803BNA*	34,600	25,600	14.0	11.5	33,400	25,000	32,000	8.2	19,600	1,010	7995265
	CA*F3137*6A*+TXV	G*VC80604B*B*	34,600	25,600	14.0	11.5	33,400	25,000	32,000	8.2	19,600	1,100	7995266
	CA*F3137*6A*+TXV	G*VC960403BNA*	34,600	25,600	14.0	11.5	33,400	25,000	32,000	8.2	19,600	1,080	7995267
	CA*F3137*6A*+TXV	G*VC960603BNA*	34,600	25,600	14.0	11.5	33,400	25,000	32,000	8.2	19,600	1,060	7995268
	CA*F3137*6A*+TXV	G*VC960803BNA*	34,600	25,600	14.0	11.5	33,400	25,000	32,000	8.2	19,600	1,100	7995269
	CA*F4860*6D*	A*EC961004CNA*	35,600	26,400	14.0	11.5	34,200	25,800	32,800	8.5	20,000	1,200	7995286
	CA*F4860*6D*	A*EH800805C*A*	34,600	25,600	14.0	11.5	33,400	25,000	32,200	8.5	20,000	1,030	7995287
	CA*F4860*6D*	A*EH801005C*A*	35,600	26,400	14.0	11.5	34,200	25,800	32,200	8.5	20,000	1,090	7995288
	CA*F4860*6D*	A*VC80805C*B*	34,600	25,600	14.0	11.5	33,400	25,000	32,200	8.5	20,000	1,070	7995289
	CA*F4860*6D*	A*VC81005C*B*	34,600	25,600	14.0	11.5	33,400	25,000	32,200	8.5	20,000	1,070	7995290
	CA*F4860*6D*	A*VC960804CNA*	34,800	25,800	14.0	11.5	33,600	25,200	32,400	8.5	20,000	1,080	7995291
	CA*F4860*6D*	A*VC961005CNA*	34,800	25,800	14.0	11.5	33,600	25,200	32,400	8.5	20,000	1,100	7995292
	CA*F4860*6D*	G*E80805C*B*	34,600	25,600	14.0	11.5	33,400	25,000	32,200	8.5	20,000	1,030	7995293
	CA*F4860*6D*	G*E81005C*B*	35,600	26,400	14.0	11.5	34,200	25,800	32,200	8.5	20,000	1,090	7995294
CA*F4860*6D*	G*EC961004CNA*	35,600	26,400	14.0	11.5	34,200	25,800	32,800	8.5	20,000	1,200	7995295	
CA*F4860*6D*	G*VC80805C*B*	34,600	25,600	14.0	11.5	33,400	25,000	32,200	8.5	20,000	1,070	7995296	
CA*F4860*6D*	G*VC81005C*B*	34,600	25,600	14.0	11.5	33,400	25,000	32,200	8.5	20,000	1,070	7995297	

See Notes on Page 38.

OUTDOOR UNIT	INDOOR UNITS		COOLING RATINGS [^]				TVA RATINGS ³		HEATING RATINGS [^]			CFM	AHRI #
	COILS/AIR HANDLERS	FURNACES	TOTAL	SENS.	SEER ¹	EER ²	TOTAL	SENS.	HI ⁴	HSPF ⁵	LOW ⁶		
GSZ14 0361K* (cont.)	CA*F4860*6D*	G*VC960804CNA*	34,800	25,800	14.0	11.5	33,600	25,200	32,400	8.5	20,000	1,080	7995298
	CA*F4860*6D*	G*VC961005CNA*	34,800	25,800	14.0	11.5	33,600	25,200	32,400	8.5	20,000	1,100	7995299
	CA*F4860*6D*+MBVC2000**-1A*		35,600	26,400	14.5	12.0	34,200	25,800	32,800	9.0	20,000	1,160	7995270
	CA*F4860*6D*+MBVC2000**-1A*+TXV		35,600	26,400	15.0	12.5	34,200	25,800	32,800	9.0	20,000	1,160	7995271
	CA*F4860*6D*+TXV	A*EC961004CNA*	35,600	26,400	14.5	12.0	34,200	25,800	32,800	8.5	20,000	1,200	7995272
	CA*F4860*6D*+TXV	A*EH800805C*A*	34,600	25,600	14.5	12.0	33,400	25,000	32,200	8.5	20,000	1,030	7995273
	CA*F4860*6D*+TXV	A*EH801005C*A*	35,600	26,400	14.5	12.0	34,200	25,800	32,200	8.5	20,000	1,090	7995274
	CA*F4860*6D*+TXV	A*VC80805C*B*	34,600	25,600	14.5	12.0	33,400	25,000	32,200	8.5	20,000	1,070	7995275
	CA*F4860*6D*+TXV	A*VC81005C*B*	34,600	25,600	14.5	12.0	33,400	25,000	32,200	8.5	20,000	1,070	7995276
	CA*F4860*6D*+TXV	A*VC960804CNA*	34,800	25,800	14.5	12.0	33,600	25,200	32,400	8.5	20,000	1,080	7995277
	CA*F4860*6D*+TXV	A*VC961005CNA*	34,800	25,800	14.5	12.0	33,600	25,200	32,400	8.5	20,000	1,100	7995278
	CA*F4860*6D*+TXV	G*E80805C*B*	34,600	25,600	14.5	12.0	33,400	25,000	32,200	8.5	20,000	1,030	7995279
	CA*F4860*6D*+TXV	G*E81005C*B*	35,600	26,400	14.5	12.0	34,200	25,800	32,200	8.5	20,000	1,090	7995280
	CA*F4860*6D*+TXV	G*EC961004CNA*	35,600	26,400	14.5	12.0	34,200	25,800	32,800	8.5	20,000	1,200	7995281
	CA*F4860*6D*+TXV	G*VC80805C*B*	34,600	25,600	14.5	12.0	33,400	25,000	32,200	8.5	20,000	1,070	7995282
	CA*F4860*6D*+TXV	G*VC81005C*B*	34,600	25,600	14.5	12.0	33,400	25,000	32,200	8.5	20,000	1,070	7995283
	CA*F4860*6D*+TXV	G*VC960804CNA*	34,800	25,800	14.5	12.0	33,600	25,200	32,400	8.5	20,000	1,080	7995284
	CA*F4860*6D*+TXV	G*VC961005CNA*	34,800	25,800	14.5	12.0	33,600	25,200	32,400	8.5	20,000	1,100	7995285
	CA*F4961*6D*	A*EC961205DNA*	35,000	26,000	14.5	11.5	33,800	25,200	32,600	8.5	20,000	1,045	7995310
	CA*F4961*6D*	A*VC961205DNA*	34,800	25,800	14.5	12.0	33,600	25,200	32,600	8.5	20,000	1,050	7995311
	CA*F4961*6D*	G*E80805D*A*	35,600	26,400	14.5	11.5	34,200	25,800	33,000	8.5	20,000	1,275	7995312
	CA*F4961*6D*	G*EC961205DNA*	35,000	26,000	14.5	11.5	33,800	25,200	32,600	8.5	20,000	1,045	7995313
	CA*F4961*6D*	G*VC961205DNA*	34,800	25,800	14.5	12.0	33,600	25,200	32,600	8.5	20,000	1,050	7995314
	CA*F4961*6D*	A*EH800805D*A*	35,600	26,400	14.5	11.5	34,200	25,800	33,000	8.5	20,000	1,275	7999168
	CA*F4961*6D*+EEP+TXV		35,400	26,200	14.0	11.5	34,000	25,600	33,200	8.2	20,600	1,070	7995300
	CA*F4961*6D*+MBVC1200**-1A*		35,600	26,400	14.5	12.0	34,200	25,800	32,400	8.5	20,000	1,050	7995301
	CA*F4961*6D*+MBVC1200**-1A*+TXV		35,600	26,400	15.0	12.5	34,200	25,800	32,400	8.5	20,000	1,050	7995302
	CA*F4961*6D*+MBVC1600**-1A*		35,600	26,400	14.5	12.0	34,200	25,800	32,400	8.5	20,000	1,075	7995303
	CA*F4961*6D*+MBVC1600**-1A*+TXV		35,600	26,400	15.0	12.5	34,200	25,800	32,400	8.5	20,000	1,075	7995304
	CA*F4961*6D*+TXV	A*EC961205DNA*	35,000	26,000	15.0	12.0	33,800	25,200	32,600	8.5	20,000	1,045	7995305
	CA*F4961*6D*+TXV	A*VC961205DNA*	34,800	25,800	15.0	12.5	33,600	25,200	32,600	8.5	20,000	1,050	7995306
	CA*F4961*6D*+TXV	G*E80805D*A*	35,600	26,400	15.0	12.0	34,200	25,800	33,000	8.5	20,000	1,275	7995307
	CA*F4961*6D*+TXV	G*EC961205DNA*	35,000	26,000	15.0	12.0	33,800	25,200	32,600	8.5	20,000	1,045	7995308
	CA*F4961*6D*+TXV	G*VC961205DNA*	34,800	25,800	15.0	12.5	33,600	25,200	32,600	8.5	20,000	1,050	7995309
	CA*F4961*6D*+TXV	A*EH800805D*A*	35,600	26,400	15.0	12.0	34,200	25,800	33,000	8.5	20,000	1,275	7999167
	CHPF3743C6B*	A*EC961004CNA*	35,000	26,000	14.0	11.5	33,800	25,200	32,800	8.5	20,000	1,200	7995329
	CHPF3743C6B*	A*EH800805C*A*	35,000	26,000	14.0	11.5	33,800	25,200	32,000	8.5	20,000	1,030	7995330
	CHPF3743C6B*	A*EH801005C*A*	34,600	25,600	14.0	11.5	33,400	25,000	32,800	8.5	20,000	1,030	7995331
	CHPF3743C6B*	A*VC80805C*B*	35,000	26,000	14.0	11.5	33,800	25,200	32,000	8.5	20,000	1,070	7995332
	CHPF3743C6B*	A*VC81005C*B*	34,600	25,600	14.0	11.5	33,400	25,000	32,000	8.5	20,000	1,070	7995333
	CHPF3743C6B*	A*VC960804CNA*	34,600	25,600	14.0	11.5	33,400	25,000	32,000	8.5	20,000	1,080	7995334
	CHPF3743C6B*	A*VC961005CNA*	34,600	25,600	14.0	11.5	33,400	25,000	32,000	8.5	20,000	1,100	7995335
	CHPF3743C6B*	G*E80805C*B*	35,000	26,000	14.0	11.5	33,800	25,200	32,000	8.5	20,000	1,030	7995336
	CHPF3743C6B*	G*E81005C*B*	34,600	25,600	14.0	11.5	33,400	25,000	32,800	8.5	20,000	1,030	7995337
	CHPF3743C6B*	G*EC961004CNA*	35,000	26,000	14.0	11.5	33,800	25,200	32,800	8.5	20,000	1,200	7995338
	CHPF3743C6B*	G*VC80805C*B*	35,000	26,000	14.0	11.5	33,800	25,200	32,000	8.5	20,000	1,070	7995339
	CHPF3743C6B*	G*VC81005C*B*	34,600	25,600	14.0	11.5	33,400	25,000	32,000	8.5	20,000	1,070	7995340
	CHPF3743C6B*	G*VC960804CNA*	34,600	25,600	14.0	11.5	33,400	25,000	32,000	8.5	20,000	1,080	7995341
	CHPF3743C6B*	G*VC961005CNA*	34,600	25,600	14.0	11.5	33,400	25,000	32,000	8.5	20,000	1,100	7995342
	CHPF3743C6B*+EEP+TXV		34,600	25,600	14.0	11.5	33,400	25,000	33,000	8.2	20,000	1,080	7995026
CHPF3743C6B*+TXV	A*EC961004CNA*	35,000	26,000	14.5	12.0	33,800	25,200	32,800	8.5	20,000	1,200	7995315	
CHPF3743C6B*+TXV	A*EH800805C*A*	35,000	26,000	14.5	12.0	33,800	25,200	32,000	8.5	20,000	1,030	7995316	
CHPF3743C6B*+TXV	A*EH801005C*A*	34,600	25,600	14.5	12.0	33,400	25,000	32,800	8.5	20,000	1,030	7995317	
CHPF3743C6B*+TXV	A*VC80805C*B*	35,000	26,000	14.5	12.0	33,800	25,200	32,000	8.5	20,000	1,070	7995318	
CHPF3743C6B*+TXV	A*VC81005C*B*	34,600	25,600	14.5	12.0	33,400	25,000	32,000	8.5	20,000	1,070	7995319	
CHPF3743C6B*+TXV	A*VC960804CNA*	34,600	25,600	14.5	12.0	33,400	25,000	32,000	8.5	20,000	1,080	7995320	

See Notes on Page 38.

OUTDOOR UNIT	INDOOR UNITS		COOLING RATINGS [^]				TVA RATINGS ³		HEATING RATINGS [^]			CFM	AHRI #
	COILS/AIR HANDLERS	FURNACES	TOTAL	SENS.	SEER ¹	EER ²	TOTAL	SENS.	HI ⁴	HSPF ⁵	LOW ⁶		
GSZ14 0361K* (cont.)	CHPF3743C6B*+TXV	A*VC961005CNA*	34,600	25,600	14.5	12.0	33,400	25,000	32,000	8.5	20,000	1,100	7995321
	CHPF3743C6B*+TXV	G*E80805C*B*	35,000	26,000	14.5	12.0	33,800	25,200	32,000	8.5	20,000	1,030	7995322
	CHPF3743C6B*+TXV	G*E81005C*B*	34,600	25,600	14.5	12.0	33,400	25,000	32,800	8.5	20,000	1,030	7995323
	CHPF3743C6B*+TXV	G*EC961004CNA*	35,000	26,000	14.5	12.0	33,800	25,200	32,800	8.5	20,000	1,200	7995324
	CHPF3743C6B*+TXV	G*VC80805C*B*	35,000	26,000	14.5	12.0	33,800	25,200	32,000	8.5	20,000	1,070	7995325
	CHPF3743C6B*+TXV	G*VC81005C*B*	34,600	25,600	14.5	12.0	33,400	25,000	32,000	8.5	20,000	1,070	7995326
	CHPF3743C6B*+TXV	G*VC960804CNA*	34,600	25,600	14.5	12.0	33,400	25,000	32,000	8.5	20,000	1,080	7995327
	CHPF3743C6B*+TXV	G*VC961005CNA*	34,600	25,600	14.5	12.0	33,400	25,000	32,000	8.5	20,000	1,100	7995328
	CHPF4860D6D*	A*EC961205DNA*	35,000	26,000	14.0	11.5	33,800	25,200	32,000	8.5	20,000	1,045	7995352
	CHPF4860D6D*	A*VC961205DNA*	35,000	26,000	14.0	11.5	33,800	25,200	32,000	8.5	20,000	1,050	7995353
	CHPF4860D6D*	G*E80805D*A*	35,600	26,400	14.0	11.5	34,200	25,800	32,800	8.5	20,000	1,275	7995354
	CHPF4860D6D*	G*EC961205DNA*	35,000	26,000	14.0	11.5	33,800	25,200	32,000	8.5	20,000	1,045	7995355
	CHPF4860D6D*	G*VC961205DNA*	35,000	26,000	14.0	11.5	33,800	25,200	32,000	8.5	20,000	1,050	7995356
	CHPF4860D6D*	A*EH800805D*A*	35,600	26,400	14.0	11.5	34,200	25,800	32,800	8.5	20,000	1,275	7999172
	CHPF4860D6D*+MBVC1600**-1A*		35,400	26,200	14.5	12.0	34,000	25,600	32,400	8.5	20,000	1,075	7995343
	CHPF4860D6D*+MBVC1600**-1A*+TXV		35,400	26,200	15.0	12.5	34,000	25,600	32,400	8.5	20,000	1,075	7995344
	CHPF4860D6D*+MBVC2000**-1A*		36,000	26,600	14.5	12.0	34,600	26,000	32,600	8.5	20,000	1,275	7995345
	CHPF4860D6D*+MBVC2000**-1A*+TXV		36,000	26,600	15.0	12.5	34,600	26,000	32,600	8.5	20,000	1,275	7995346
	CHPF4860D6D*+TXV	A*EC961205DNA*	35,000	26,000	14.5	12.0	33,800	25,200	32,000	8.5	20,000	1,045	7995347
	CHPF4860D6D*+TXV	A*VC961205DNA*	35,000	26,000	14.5	12.0	33,800	25,200	32,000	8.5	20,000	1,050	7995348
	CHPF4860D6D*+TXV	G*E80805D*A*	35,600	26,400	14.5	12.0	34,200	25,800	32,800	8.5	20,000	1,275	7995349
	CHPF4860D6D*+TXV	G*EC961205DNA*	35,000	26,000	14.5	12.0	33,800	25,200	32,000	8.5	20,000	1,045	7995350
	CHPF4860D6D*+TXV	G*VC961205DNA*	35,000	26,000	14.5	12.0	33,800	25,200	32,000	8.5	20,000	1,050	7995351
	CHPF4860D6D*+TXV	A*EH800805D*A*	35,600	26,400	14.5	12.0	34,200	25,800	32,800	8.5	20,000	1,275	7999170
	CSCF4860N6D*	A*EC961004CNA*	35,600	26,400	14.0	11.5	34,200	25,800	32,800	8.5	20,000	1,230	7995382
	CSCF4860N6D*	A*EC961205DNA*	35,000	26,000	14.0	11.5	33,800	25,200	32,000	8.5	20,000	1,045	7995383
	CSCF4860N6D*	A*EH800805C*A*	35,000	26,000	14.0	11.5	33,800	25,200	32,000	8.5	20,000	1,030	7995384
	CSCF4860N6D*	A*EH801005C*A*	35,000	26,000	14.0	11.5	33,800	25,200	32,800	8.5	20,000	1,030	7995385
	CSCF4860N6D*	A*VC80805C*B*	35,000	26,000	14.0	11.5	33,800	25,200	32,000	8.5	20,000	1,070	7995386
	CSCF4860N6D*	A*VC81005C*B*	35,000	26,000	14.0	11.5	33,800	25,200	32,000	8.5	20,000	1,070	7995387
	CSCF4860N6D*	A*VC960804CNA*	35,000	26,000	14.0	11.5	33,800	25,200	32,000	8.5	20,000	1,080	7995388
	CSCF4860N6D*	A*VC961005CNA*	35,000	26,000	14.0	11.5	33,800	25,200	32,000	8.5	20,000	1,100	7995389
	CSCF4860N6D*	A*VC961205DNA*	35,000	26,000	14.0	11.5	33,800	25,200	32,000	8.5	20,000	1,050	7995390
	CSCF4860N6D*	G*E80805C*B*	35,000	26,000	14.0	11.5	33,800	25,200	32,000	8.5	20,000	1,030	7995391
	CSCF4860N6D*	G*E80805D*A*	35,600	26,400	14.0	11.5	34,200	25,800	32,800	8.5	20,000	1,275	7995392
	CSCF4860N6D*	G*E81005C*B*	35,000	26,000	14.0	11.5	33,800	25,200	32,800	8.5	20,000	1,030	7995393
	CSCF4860N6D*	G*EC961004CNA*	35,600	26,400	14.0	11.5	34,200	25,800	32,800	8.5	20,000	1,230	7995394
	CSCF4860N6D*	G*EC961205DNA*	35,000	26,000	14.0	11.5	33,800	25,200	32,000	8.5	20,000	1,045	7995395
	CSCF4860N6D*	G*VC80805C*B*	35,000	26,000	14.0	11.5	33,800	25,200	32,000	8.5	20,000	1,070	7995396
	CSCF4860N6D*	G*VC81005C*B*	35,000	26,000	14.0	11.5	33,800	25,200	32,000	8.5	20,000	1,070	7995397
	CSCF4860N6D*	G*VC960804CNA*	35,000	26,000	14.0	11.5	33,800	25,200	32,000	8.5	20,000	1,080	7995398
	CSCF4860N6D*	G*VC961005CNA*	35,000	26,000	14.0	11.5	33,800	25,200	32,000	8.5	20,000	1,100	7995399
	CSCF4860N6D*	G*VC961205DNA*	35,000	26,000	14.0	11.5	33,800	25,200	32,000	8.5	20,000	1,050	7995400
	CSCF4860N6D*	A*EH800805D*A*	35,600	26,400	14.0	11.5	34,200	25,800	32,800	8.5	20,000	1,275	7999175
	CSCF4860N6D*+EEP+TXV		34,600	25,600	14.0	11.5	33,400	25,000	33,000	8.2	20,000	1,080	7995027
	CSCF4860N6D*+MBVC1200**-1A*		35,000	26,000	14.0	11.5	33,800	25,200	32,000	8.5	20,000	1,050	7995357
	CSCF4860N6D*+MBVC1200**-1A*+TXV		35,000	26,000	14.5	12.0	33,800	25,200	32,000	8.5	20,000	1,050	7995358
	CSCF4860N6D*+MBVC1600**-1A*		35,400	26,200	14.5	12.0	34,000	25,600	32,400	8.5	20,000	1,075	7995359
	CSCF4860N6D*+MBVC1600**-1A*+TXV		35,400	26,200	15.0	12.5	34,000	25,600	32,400	8.5	20,000	1,075	7995360
	CSCF4860N6D*+MBVC2000**-1A*		36,000	26,600	14.5	12.0	34,600	26,000	32,600	8.5	20,000	1,275	7995361
CSCF4860N6D*+MBVC2000**-1A*+TXV		36,000	26,600	15.0	12.5	34,600	26,000	32,600	8.5	20,000	1,275	7995362	
CSCF4860N6D*+TXV	A*EC961004CNA*	35,600	26,400	14.5	12.0	34,200	25,800	32,800	8.5	20,000	1,230	7995363	
CSCF4860N6D*+TXV	A*EC961205DNA*	35,000	26,000	14.5	12.0	33,800	25,200	32,000	8.5	20,000	1,045	7995364	
CSCF4860N6D*+TXV	A*EH800805C*A*	35,000	26,000	14.5	12.0	33,800	25,200	32,000	8.5	20,000	1,030	7995365	
CSCF4860N6D*+TXV	A*EH801005C*A*	35,000	26,000	14.5	12.0	33,800	25,200	32,800	8.5	20,000	1,030	7995366	
CSCF4860N6D*+TXV	A*VC80805C*B*	35,000	26,000	14.5	12.0	33,800	25,200	32,000	8.5	20,000	1,070	7995367	

See Notes on Page 38.

OUTDOOR UNIT	INDOOR UNITS		COOLING RATINGS [^]				TVA RATINGS ³		HEATING RATINGS [^]			CFM	AHRI #
	COILS/AIR HANDLERS	FURNACES	TOTAL	SENS.	SEER ¹	EER ²	TOTAL	SENS.	HI ⁴	HSPF ⁵	LOW ⁶		
GSZ14 0361K* (cont.)	CSCF4860N6D*+TXV	A*VC81005C*B*	35,000	26,000	14.5	12.0	33,800	25,200	32,000	8.5	20,000	1,070	7995368
	CSCF4860N6D*+TXV	A*VC960804CNA*	35,000	26,000	14.5	12.0	33,800	25,200	32,000	8.5	20,000	1,080	7995369
	CSCF4860N6D*+TXV	A*VC961005CNA*	35,000	26,000	14.5	12.0	33,800	25,200	32,000	8.5	20,000	1,100	7995370
	CSCF4860N6D*+TXV	A*VC961205DNA*	35,000	26,000	14.5	12.0	33,800	25,200	32,000	8.5	20,000	1,050	7995371
	CSCF4860N6D*+TXV	G*E80805C*B*	35,000	26,000	14.5	12.0	33,800	25,200	32,000	8.5	20,000	1,030	7995372
	CSCF4860N6D*+TXV	G*E80805D*A*	35,600	26,400	14.5	12.0	34,200	25,800	32,800	8.5	20,000	1,275	7995373
	CSCF4860N6D*+TXV	G*E81005C*B*	35,000	26,000	14.5	12.0	33,800	25,200	32,800	8.5	20,000	1,030	7995374
	CSCF4860N6D*+TXV	G*EC961004CNA*	35,600	26,400	14.5	12.0	34,200	25,800	32,800	8.5	20,000	1,230	7995375
	CSCF4860N6D*+TXV	G*EC961205DNA*	35,000	26,000	14.5	12.0	33,800	25,200	32,000	8.5	20,000	1,045	7995376
	CSCF4860N6D*+TXV	G*VC80805C*B*	35,000	26,000	14.5	12.0	33,800	25,200	32,000	8.5	20,000	1,070	7995377
	CSCF4860N6D*+TXV	G*VC81005C*B*	35,000	26,000	14.5	12.0	33,800	25,200	32,000	8.5	20,000	1,070	7995378
	CSCF4860N6D*+TXV	G*VC960804CNA*	35,000	26,000	14.5	12.0	33,800	25,200	32,000	8.5	20,000	1,080	7995379
	CSCF4860N6D*+TXV	G*VC961005CNA*	35,000	26,000	14.5	12.0	33,800	25,200	32,000	8.5	20,000	1,100	7995380
	CSCF4860N6D*+TXV	G*VC961205DNA*	35,000	26,000	14.5	12.0	33,800	25,200	32,000	8.5	20,000	1,050	7995381
CSCF4860N6D*+TXV	A*EH800805D*A*	35,600	26,400	14.5	12.0	34,200	25,800	32,800	8.5	20,000	1,275	7999173	
GSZ14 0371K*	ARUF37C14A*+TXV		34,600	25,600	14.0	11.5	33,400	25,000	32,800	8.2	19,000	1,070	8068404
GSZ14 0421K*	ARUF43C14A*+TXV		39,000	29,600	14.0	11.5	37,600	29,000	40,000	8.2	24,000	1,300	7995401
	ARUF47D14A*		39,000	29,600	14.0	11.5	37,600	29,000	39,000	8.2	24,000	1,325	7995402
	ASPT48D14A*		39,500	30,000	14.5	12.0	38,000	29,400	39,000	8.5	23,000	1,400	8197098
	AVPTC42D14A*		39,500	30,000	15.0	12.5	38,000	29,400	39,000	8.5	23,000	1,220	7995403
	CA*F4860*6D*	A*EC961004CNA*	39,500	30,000	14.0	11.5	38,000	29,400	39,000	8.5	23,600	1,230	7995428
	CA*F4860*6D*	A*EC961205DNA*	39,500	30,000	14.0	11.5	38,000	29,400	39,500	8.5	23,600	1,300	7995429
	CA*F4860*6D*	A*EH800805C*A*	39,500	30,000	14.0	11.5	38,000	29,400	39,500	8.5	23,600	1,325	7995430
	CA*F4860*6D*	A*EH801005C*A*	39,500	30,000	14.0	11.5	38,000	29,400	39,000	8.5	23,600	1,225	7995431
	CA*F4860*6D*	A*VC80805C*B*	39,500	30,000	14.0	11.5	38,000	29,400	39,000	8.5	23,600	1,240	7995432
	CA*F4860*6D*	A*VC81005C*B*	39,500	30,000	14.0	11.5	38,000	29,400	39,000	8.5	23,600	1,250	7995433
	CA*F4860*6D*	A*VC960804CNA*	39,500	30,000	14.0	11.5	38,000	29,400	39,500	8.5	23,600	1,310	7995434
	CA*F4860*6D*	A*VC961005CNA*	39,500	30,000	14.0	11.5	38,000	29,400	39,500	8.5	23,600	1,300	7995435
	CA*F4860*6D*	A*VC961205DNA*	39,500	30,000	14.0	11.5	38,000	29,400	39,000	8.5	23,600	1,250	7995436
	CA*F4860*6D*	G*E80805C*B*	39,500	30,000	14.0	11.5	38,000	29,400	39,500	8.5	23,600	1,325	7995437
	CA*F4860*6D*	G*E80805D*A*	39,500	30,000	14.0	11.5	38,000	29,400	39,500	8.5	23,600	1,280	7995438
	CA*F4860*6D*	G*E81005C*B*	39,500	30,000	14.0	11.5	38,000	29,400	39,000	8.5	23,600	1,225	7995439
	CA*F4860*6D*	G*EC961004CNA*	39,500	30,000	14.0	11.5	38,000	29,400	39,000	8.5	23,600	1,230	7995440
	CA*F4860*6D*	G*EC961205DNA*	39,500	30,000	14.0	11.5	38,000	29,400	39,500	8.5	23,600	1,300	7995441
	CA*F4860*6D*	G*VC80805C*B*	39,500	30,000	14.0	11.5	38,000	29,400	39,000	8.5	23,600	1,240	7995442
	CA*F4860*6D*	G*VC81005C*B*	39,500	30,000	14.0	11.5	38,000	29,400	39,000	8.5	23,600	1,250	7995443
	CA*F4860*6D*	G*VC960804CNA*	39,500	30,000	14.0	11.5	38,000	29,400	39,500	8.5	23,600	1,310	7995444
	CA*F4860*6D*	G*VC961005CNA*	39,500	30,000	14.0	11.5	38,000	29,400	39,500	8.5	23,600	1,300	7995445
	CA*F4860*6D*	G*VC961205DNA*	39,500	30,000	14.0	11.5	38,000	29,400	39,000	8.5	23,600	1,250	7995446
	CA*F4860*6D*	A*EH800805D*A*	39,500	30,000	14.0	11.5	38,000	29,400	39,500	8.5	23,600	1,280	7999178
	CA*F4860*6D*+EEP+TXV		39,500	30,000	14.0	11.5	38,000	29,400	39,500	8.2	24,000	1,300	7995404
	CA*F4860*6D*+MBVC1600*-1A*		40,000	30,400	14.5	12.0	38,500	29,600	39,000	8.5	23,600	1,300	7995405
	CA*F4860*6D*+MBVC1600*-1A*+TXV		40,000	30,400	15.0	12.5	38,500	29,600	39,000	8.5	23,600	1,300	7995406
	CA*F4860*6D*+MBVC2000*-1A*		40,500	30,800	14.5	12.0	39,000	30,000	39,000	9.0	23,600	1,310	7995407
	CA*F4860*6D*+MBVC2000*-1A*+TXV		40,500	30,800	15.0	12.5	39,000	30,000	39,000	9.0	23,600	1,310	7995408
	CA*F4860*6D*+TXV	A*EC961004CNA*	39,500	30,000	14.5	12.0	38,000	29,400	39,000	8.5	23,600	1,230	7995409
	CA*F4860*6D*+TXV	A*EC961205DNA*	39,500	30,000	14.5	12.0	38,000	29,400	39,500	8.5	23,600	1,300	7995410
	CA*F4860*6D*+TXV	A*EH800805C*A*	39,500	30,000	14.5	12.0	38,000	29,400	39,500	8.5	23,600	1,325	7995411
	CA*F4860*6D*+TXV	A*EH801005C*A*	39,500	30,000	14.5	12.0	38,000	29,400	39,000	8.5	23,600	1,225	7995412
	CA*F4860*6D*+TXV	A*VC80805C*B*	39,500	30,000	14.5	12.0	38,000	29,400	39,000	8.5	23,600	1,240	7995413
CA*F4860*6D*+TXV	A*VC81005C*B*	39,500	30,000	14.5	12.0	38,000	29,400	39,000	8.5	23,600	1,250	7995414	
CA*F4860*6D*+TXV	A*VC960804CNA*	39,500	30,000	14.5	12.0	38,000	29,400	39,500	8.5	23,600	1,310	7995415	
CA*F4860*6D*+TXV	A*VC961005CNA*	39,500	30,000	14.5	12.0	38,000	29,400	39,500	8.5	23,600	1,300	7995416	
CA*F4860*6D*+TXV	A*VC961205DNA*	39,500	30,000	14.5	12.0	38,000	29,400	39,000	8.5	23,600	1,250	7995417	
CA*F4860*6D*+TXV	G*E80805C*B*	39,500	30,000	14.5	12.0	38,000	29,400	39,500	8.5	23,600	1,325	7995418	
CA*F4860*6D*+TXV	G*E80805D*A*	39,500	30,000	14.5	12.0	38,000	29,400	39,500	8.5	23,600	1,280	7995419	

See Notes on Page 38.

OUTDOOR UNIT	INDOOR UNITS		COOLING RATINGS [^]				TVA RATINGS ³		HEATING RATINGS [^]			CFM	AHRI #
	COILS/AIR HANDLERS	FURNACES	TOTAL	SENS.	SEER ¹	EER ²	TOTAL	SENS.	HI ⁴	HSPF ⁵	LOW ⁶		
GSZ14 0421K* (cont.)	CA*F4860*6D*+TXV	G*E81005C*B*	39,500	30,000	14.5	12.0	38,000	29,400	39,000	8.5	23,600	1,225	7995420
	CA*F4860*6D*+TXV	G*EC961004CNA*	39,500	30,000	14.5	12.0	38,000	29,400	39,000	8.5	23,600	1,230	7995421
	CA*F4860*6D*+TXV	G*EC961205DNA*	39,500	30,000	14.5	12.0	38,000	29,400	39,500	8.5	23,600	1,300	7995422
	CA*F4860*6D*+TXV	G*VC80805C*B*	39,500	30,000	14.5	12.0	38,000	29,400	39,000	8.5	23,600	1,240	7995423
	CA*F4860*6D*+TXV	G*VC81005C*B*	39,500	30,000	14.5	12.0	38,000	29,400	39,000	8.5	23,600	1,250	7995424
	CA*F4860*6D*+TXV	G*VC960804CNA*	39,500	30,000	14.5	12.0	38,000	29,400	39,500	8.5	23,600	1,310	7995425
	CA*F4860*6D*+TXV	G*VC961005CNA*	39,500	30,000	14.5	12.0	38,000	29,400	39,500	8.5	23,600	1,300	7995426
	CA*F4860*6D*+TXV	G*VC961205DNA*	39,500	30,000	14.5	12.0	38,000	29,400	39,000	8.5	23,600	1,250	7995427
	CA*F4860*6D*+TXV	A*EH800805D*A*	39,500	30,000	14.5	12.0	38,000	29,400	39,500	8.5	23,600	1,280	7999176
	CA*F4961*6D*	A*EC961004CNA*	40,000	30,400	14.5	12.0	38,500	29,600	39,500	8.5	23,800	1,230	7995471
	CA*F4961*6D*	A*EC961205DNA*	40,000	30,400	14.5	12.0	38,500	29,600	40,000	8.5	24,000	1,300	7995472
	CA*F4961*6D*	A*EH800805C*A*	40,000	30,400	14.5	12.0	38,500	29,600	39,500	8.5	23,800	1,325	7995473
	CA*F4961*6D*	A*EH801005C*A*	40,000	30,400	14.5	12.0	38,500	29,600	39,500	8.5	23,800	1,225	7995474
	CA*F4961*6D*	A*VC80805C*B*	40,000	30,400	14.5	12.0	38,500	29,600	39,500	8.5	23,800	1,240	7995475
	CA*F4961*6D*	A*VC81005C*B*	40,000	30,400	14.5	12.0	38,500	29,600	39,500	8.5	23,800	1,250	7995476
	CA*F4961*6D*	A*VC960804CNA*	40,000	30,400	14.5	12.0	38,500	29,600	39,500	8.5	23,800	1,310	7995477
	CA*F4961*6D*	A*VC961005CNA*	40,000	30,400	14.5	12.0	38,500	29,600	39,500	8.5	23,800	1,300	7995478
	CA*F4961*6D*	A*VC961205DNA*	40,000	30,400	14.5	12.0	38,500	29,600	39,500	8.5	23,800	1,250	7995479
	CA*F4961*6D*	G*E80805C*B*	40,000	30,400	14.5	12.0	38,500	29,600	39,500	8.5	23,800	1,325	7995480
	CA*F4961*6D*	G*E80805D*A*	40,000	30,400	14.5	12.0	38,500	29,600	39,500	8.5	23,800	1,280	7995481
	CA*F4961*6D*	G*E81005C*B*	40,000	30,400	14.5	12.0	38,500	29,600	39,500	8.5	23,800	1,225	7995482
	CA*F4961*6D*	G*EC961004CNA*	40,000	30,400	14.5	12.0	38,500	29,600	39,500	8.5	23,800	1,230	7995483
	CA*F4961*6D*	G*EC961205DNA*	40,000	30,400	14.5	12.0	38,500	29,600	40,000	8.5	24,000	1,300	7995484
	CA*F4961*6D*	G*VC80805C*B*	40,000	30,400	14.5	12.0	38,500	29,600	39,500	8.5	23,800	1,240	7995485
	CA*F4961*6D*	G*VC81005C*B*	40,000	30,400	14.5	12.0	38,500	29,600	39,500	8.5	23,800	1,250	7995486
	CA*F4961*6D*	G*VC960804CNA*	40,000	30,400	14.5	12.0	38,500	29,600	39,500	8.5	23,800	1,310	7995487
	CA*F4961*6D*	G*VC961005CNA*	40,000	30,400	14.5	12.0	38,500	29,600	39,500	8.5	23,800	1,300	7995488
	CA*F4961*6D*	G*VC961205DNA*	40,000	30,400	14.5	12.0	38,500	29,600	39,500	8.5	23,800	1,250	7995489
	CA*F4961*6D*	A*EH800805D*A*	40,000	30,400	14.5	12.0	38,500	29,600	39,500	8.5	23,800	1,280	7999181
	CA*F4961*6D*+EEP+TXV		40,000	30,400	14.0	12.0	38,500	29,600	40,000	8.5	24,000	1,300	7995447
	CA*F4961*6D*+MBVC1600*-1A*		40,000	30,400	14.5	12.0	38,500	29,600	39,500	9.0	23,800	1,300	7995448
	CA*F4961*6D*+MBVC1600*-1A*+TXV		40,000	30,400	15.0	12.5	38,500	29,600	39,500	9.0	23,800	1,300	7995449
	CA*F4961*6D*+MBVC2000*-1A*		40,500	30,800	14.5	12.0	39,000	30,000	39,000	9.0	23,800	1,310	7995450
	CA*F4961*6D*+MBVC2000*-1A*+TXV		40,500	30,800	15.0	12.5	39,000	30,000	39,000	9.0	23,800	1,310	7995451
	CA*F4961*6D*+TXV	A*EC961004CNA*	40,000	30,400	15.0	12.5	38,500	29,600	39,500	8.5	23,800	1,230	7995452
	CA*F4961*6D*+TXV	A*EC961205DNA*	40,000	30,400	15.0	12.5	38,500	29,600	40,000	8.5	24,000	1,300	7995453
	CA*F4961*6D*+TXV	A*EH800805C*A*	40,000	30,400	15.0	12.5	38,500	29,600	39,500	8.5	23,800	1,325	7995454
	CA*F4961*6D*+TXV	A*EH801005C*A*	40,000	30,400	15.0	12.5	38,500	29,600	39,500	8.5	23,800	1,225	7995455
	CA*F4961*6D*+TXV	A*VC80805C*B*	40,000	30,400	15.0	12.5	38,500	29,600	39,500	8.5	23,800	1,240	7995456
	CA*F4961*6D*+TXV	A*VC81005C*B*	40,000	30,400	15.0	12.5	38,500	29,600	39,500	8.5	23,800	1,250	7995457
	CA*F4961*6D*+TXV	A*VC960804CNA*	40,000	30,400	15.0	12.5	38,500	29,600	39,500	8.5	23,800	1,310	7995458
	CA*F4961*6D*+TXV	A*VC961005CNA*	40,000	30,400	15.0	12.5	38,500	29,600	39,500	8.5	23,800	1,300	7995459
	CA*F4961*6D*+TXV	A*VC961205DNA*	40,000	30,400	15.0	12.5	38,500	29,600	39,500	8.5	23,800	1,250	7995460
	CA*F4961*6D*+TXV	G*E80805C*B*	40,000	30,400	15.0	12.5	38,500	29,600	39,500	8.5	23,800	1,325	7995461
	CA*F4961*6D*+TXV	G*E80805D*A*	40,000	30,400	15.0	12.5	38,500	29,600	39,500	8.5	23,800	1,280	7995462
	CA*F4961*6D*+TXV	G*E81005C*B*	40,000	30,400	15.0	12.5	38,500	29,600	39,500	8.5	23,800	1,225	7995463
	CA*F4961*6D*+TXV	G*EC961004CNA*	40,000	30,400	15.0	12.5	38,500	29,600	39,500	8.5	23,800	1,230	7995464
CA*F4961*6D*+TXV	G*EC961205DNA*	40,000	30,400	15.0	12.5	38,500	29,600	40,000	8.5	24,000	1,300	7995465	
CA*F4961*6D*+TXV	G*VC80805C*B*	40,000	30,400	15.0	12.5	38,500	29,600	39,500	8.5	23,800	1,240	7995466	
CA*F4961*6D*+TXV	G*VC81005C*B*	40,000	30,400	15.0	12.5	38,500	29,600	39,500	8.5	23,800	1,250	7995467	
CA*F4961*6D*+TXV	G*VC960804CNA*	40,000	30,400	15.0	12.5	38,500	29,600	39,500	8.5	23,800	1,310	7995468	
CA*F4961*6D*+TXV	G*VC961005CNA*	40,000	30,400	15.0	12.5	38,500	29,600	39,500	8.5	23,800	1,300	7995469	
CA*F4961*6D*+TXV	G*VC961205DNA*	40,000	30,400	15.0	12.5	38,500	29,600	39,500	8.5	23,800	1,250	7995470	
CA*F4961*6D*+TXV	A*EH800805D*A*	40,000	30,400	15.0	12.5	38,500	29,600	39,500	8.5	23,800	1,280	7999180	
CHPF4860D6D*	A*EC961205DNA*	40,000	30,400	14.0	12.0	38,500	29,600	39,500	8.5	23,600	1,300	7995500	
CHPF4860D6D*	A*VC961205DNA*	39,500	30,000	14.0	12.0	38,000	29,400	39,000	8.5	23,600	1,250	7995501	
CHPF4860D6D*	G*E80805D*A*	39,500	30,000	14.0	12.0	38,000	29,400	39,500	8.5	23,600	1,280	7995502	

See Notes on Page 38.

OUTDOOR UNIT	INDOOR UNITS		COOLING RATINGS [^]				TVA RATINGS ³		HEATING RATINGS [^]			CFM	AHRI #
	COILS/AIR HANDLERS	FURNACES	TOTAL	SENS.	SEER ¹	EER ²	TOTAL	SENS.	HI ⁴	HSPF ⁵	LOW ⁶		
GSZ14 0421K* (cont.)	CHPF4860D6D*	G*EC961205DNA*	40,000	30,400	14.0	12.0	38,500	29,600	39,500	8.5	23,600	1,300	7995503
	CHPF4860D6D*	G*VC961205DNA*	39,500	30,000	14.0	12.0	38,000	29,400	39,000	8.5	23,600	1,250	7995504
	CHPF4860D6D*	A*EH800805D*A*	39,500	30,000	14.0	12.0	38,000	29,400	39,500	8.5	23,600	1,280	7999184
	CHPF4860D6D*+EEP+TXV		39,000	29,600	14.0	11.5	37,600	29,000	39,500	8.5	24,000	1,300	7995490
	CHPF4860D6D*+MBVC1600**-1A*		40,000	30,400	14.5	12.0	38,500	29,600	39,000	8.5	23,600	1,300	7995491
	CHPF4860D6D*+MBVC1600**-1A*+TXV		40,000	30,400	15.0	12.5	38,500	29,600	39,000	8.5	23,600	1,300	7995492
	CHPF4860D6D*+MBVC2000**-1A*		40,000	30,400	14.5	12.0	38,500	29,600	39,000	9.0	23,600	1,310	7995493
	CHPF4860D6D*+MBVC2000**-1A*+TXV		40,000	30,400	15.0	12.5	38,500	29,600	39,000	9.0	23,600	1,310	7995494
	CHPF4860D6D*+TXV	A*EC961205DNA*	40,000	30,400	14.5	12.0	38,500	29,600	39,500	8.5	23,600	1,300	7995495
	CHPF4860D6D*+TXV	A*VC961205DNA*	39,500	30,000	14.5	12.0	38,000	29,400	39,000	8.5	23,600	1,250	7995496
	CHPF4860D6D*+TXV	G*E80805D*A*	39,500	30,000	14.5	12.0	38,000	29,400	39,500	8.5	23,600	1,280	7995497
	CHPF4860D6D*+TXV	G*EC961205DNA*	40,000	30,400	14.5	12.0	38,500	29,600	39,500	8.5	23,600	1,300	7995498
	CHPF4860D6D*+TXV	G*VC961205DNA*	39,500	30,000	14.5	12.0	38,000	29,400	39,000	8.5	23,600	1,250	7995499
	CHPF4860D6D*+TXV	A*EH800805D*A*	39,500	30,000	14.5	12.0	38,000	29,400	39,500	8.5	23,600	1,280	7999183
	CSCF4860N6D*	A*EC961004CNA*	40,500	30,800	14.0	12.0	39,000	30,000	39,000	8.5	23,600	1,230	7995529
	CSCF4860N6D*	A*EC961205DNA*	40,000	30,400	14.0	12.0	38,500	29,600	40,000	8.5	23,600	1,300	7995530
	CSCF4860N6D*	A*EH800805C*A*	40,500	30,800	14.0	12.0	39,000	30,000	39,500	8.5	23,600	1,325	7995531
	CSCF4860N6D*	A*EH801005C*A*	40,500	30,800	14.0	12.0	39,000	30,000	39,000	8.5	23,600	1,225	7995532
	CSCF4860N6D*	A*VC80805C*B*	40,000	30,400	14.5	12.0	38,500	29,600	39,500	8.5	23,600	1,240	7995533
	CSCF4860N6D*	A*VC81005C*B*	40,000	30,400	14.5	12.0	38,500	29,600	39,500	8.5	23,600	1,250	7995534
	CSCF4860N6D*	A*VC960804CNA*	40,000	30,400	14.5	12.0	38,500	29,600	39,500	8.5	23,600	1,310	7995535
	CSCF4860N6D*	A*VC961005CNA*	40,000	30,400	14.5	12.0	38,500	29,600	39,500	8.5	23,600	1,300	7995536
	CSCF4860N6D*	A*VC961205DNA*	40,000	30,400	14.5	12.0	38,500	29,600	39,500	8.5	23,600	1,250	7995537
	CSCF4860N6D*	G*E80805C*B*	40,500	30,800	14.0	12.0	39,000	30,000	39,500	8.5	23,600	1,325	7995538
	CSCF4860N6D*	G*E80805D*A*	40,500	30,800	14.0	12.0	39,000	30,000	39,500	8.5	23,600	1,280	7995539
	CSCF4860N6D*	G*E81005C*B*	40,500	30,800	14.0	12.0	39,000	30,000	39,000	8.5	23,600	1,225	7995540
	CSCF4860N6D*	G*EC961004CNA*	40,500	30,800	14.0	12.0	39,000	30,000	39,000	8.5	23,600	1,230	7995541
	CSCF4860N6D*	G*EC961205DNA*	40,000	30,400	14.0	12.0	38,500	29,600	40,000	8.5	23,600	1,300	7995542
	CSCF4860N6D*	G*VC80805C*B*	40,000	30,400	14.5	12.0	38,500	29,600	39,500	8.5	23,600	1,240	7995543
	CSCF4860N6D*	G*VC81005C*B*	40,000	30,400	14.5	12.0	38,500	29,600	39,500	8.5	23,600	1,250	7995544
	CSCF4860N6D*	G*VC960804CNA*	40,000	30,400	14.5	12.0	38,500	29,600	39,500	8.5	23,600	1,310	7995545
	CSCF4860N6D*	G*VC961005CNA*	40,000	30,400	14.5	12.0	38,500	29,600	39,500	8.5	23,600	1,300	7995546
	CSCF4860N6D*	G*VC961205DNA*	40,000	30,400	14.5	12.0	38,500	29,600	39,500	8.5	23,600	1,250	7995547
	CSCF4860N6D*	A*EH800805D*A*	40,500	30,800	14.0	12.0	39,000	30,000	39,500	8.5	23,600	1,280	7999188
	CSCF4860N6D*+EEP+TXV		40,500	30,800	14.0	12.0	39,000	30,000	40,000	8.5	24,000	1,300	7995505
	CSCF4860N6D*+MBVC1600**-1A*		40,000	30,400	14.5	12.0	38,500	29,600	39,500	8.5	23,600	1,300	7995506
	CSCF4860N6D*+MBVC1600**-1A*+TXV		40,000	30,400	15.0	12.5	38,500	29,600	39,500	8.5	23,600	1,300	7995507
	CSCF4860N6D*+MBVC2000**-1A*		40,000	30,400	14.5	12.5	38,500	29,600	39,500	9.0	23,600	1,310	7995508
	CSCF4860N6D*+MBVC2000**-1A*+TXV		40,000	30,400	15.0	13.0	38,500	29,600	39,000	9.0	23,600	1,310	7995509
	CSCF4860N6D*+TXV	A*EC961004CNA*	40,500	30,800	14.5	12.0	39,000	30,000	39,000	8.5	23,600	1,230	7995510
	CSCF4860N6D*+TXV	A*EC961205DNA*	40,000	30,400	14.5	12.0	38,500	29,600	40,000	8.5	23,600	1,300	7995511
	CSCF4860N6D*+TXV	A*EH800805C*A*	40,500	30,800	14.5	12.0	39,000	30,000	39,500	8.5	23,600	1,325	7995512
	CSCF4860N6D*+TXV	A*EH801005C*A*	40,500	30,800	14.5	12.0	39,000	30,000	39,000	8.5	23,600	1,225	7995513
	CSCF4860N6D*+TXV	A*VC80805C*B*	40,000	30,400	15.0	12.0	38,500	29,600	39,500	8.5	23,600	1,240	7995514
	CSCF4860N6D*+TXV	A*VC81005C*B*	40,000	30,400	15.0	12.0	38,500	29,600	39,500	8.5	23,600	1,250	7995515
	CSCF4860N6D*+TXV	A*VC960804CNA*	40,000	30,400	15.0	12.0	38,500	29,600	39,500	8.5	23,600	1,310	7995516
	CSCF4860N6D*+TXV	A*VC961005CNA*	40,000	30,400	15.0	12.0	38,500	29,600	39,500	8.5	23,600	1,300	7995517
CSCF4860N6D*+TXV	A*VC961205DNA*	40,000	30,400	15.0	12.0	38,500	29,600	39,500	8.5	23,600	1,250	7995518	
CSCF4860N6D*+TXV	G*E80805C*B*	40,500	30,800	14.5	12.0	39,000	30,000	39,500	8.5	23,600	1,325	7995519	
CSCF4860N6D*+TXV	G*E80805D*A*	40,500	30,800	14.5	12.0	39,000	30,000	39,500	8.5	23,600	1,280	7995520	
CSCF4860N6D*+TXV	G*E81005C*B*	40,500	30,800	14.5	12.0	39,000	30,000	39,000	8.5	23,600	1,225	7995521	
CSCF4860N6D*+TXV	G*EC961004CNA*	40,500	30,800	14.5	12.0	39,000	30,000	39,000	8.5	23,600	1,230	7995522	
CSCF4860N6D*+TXV	G*EC961205DNA*	40,000	30,400	14.5	12.0	38,500	29,600	40,000	8.5	23,600	1,300	7995523	
CSCF4860N6D*+TXV	G*VC80805C*B*	40,000	30,400	15.0	12.0	38,500	29,600	39,500	8.5	23,600	1,240	7995524	
CSCF4860N6D*+TXV	G*VC81005C*B*	40,000	30,400	15.0	12.0	38,500	29,600	39,500	8.5	23,600	1,250	7995525	
CSCF4860N6D*+TXV	G*VC960804CNA*	40,000	30,400	15.0	12.0	38,500	29,600	39,500	8.5	23,600	1,310	7995526	
CSCF4860N6D*+TXV	G*VC961005CNA*	40,000	30,400	15.0	12.0	38,500	29,600	39,500	8.5	23,600	1,300	7995527	
CSCF4860N6D*+TXV	G*VC961205DNA*	40,000	30,400	15.0	12.0	38,500	29,600	39,500	8.5	23,600	1,250	7995528	
CSCF4860N6D*+TXV	A*EH800805D*A*	40,500	30,800	14.5	12.0	39,000	30,000	39,500	8.5	23,600	1,280	7999186	

See Notes on Page 38.

OUTDOOR UNIT	INDOOR UNITS		COOLING RATINGS [^]				TVA RATINGS ³		HEATING RATINGS [^]			CFM	AHRI #
	COILS/AIR HANDLERS	FURNACES	TOTAL	SENS.	SEER ¹	EER ²	TOTAL	SENS.	HI ⁴	HSPF ⁵	LOW ⁶		
GSZ14 0481K*	ARUF61D14A*+TXV		45,000	35,600	14.0	11.5	43,500	34,800	44,500	8.5	28,000	1,555	7995548
	ASPTC48D14A*		45,000	35,600	14.5	12.0	43,500	34,800	44,500	9.0	27,600	1,525	7995028
	AVPTC48D14A*		45,000	35,600	14.5	12.0	43,500	34,800	44,500	9.0	27,600	1,550	7995029
	CA*F4961*6D*	A*EC961205DNA*	45,500	36,000	14.0	11.5	44,000	35,000	44,500	9.0	27,600	1,520	7995559
	CA*F4961*6D*	A*VC961205DNA*	45,500	36,000	14.0	11.5	44,000	35,000	44,500	9.0	27,600	1,530	7995560
	CA*F4961*6D*	G*E80805D*A*	45,500	36,000	14.0	11.5	44,000	35,000	44,500	9.0	27,600	1,500	7995561
	CA*F4961*6D*	G*EC961205DNA*	45,500	36,000	14.0	11.5	44,000	35,000	44,500	9.0	27,600	1,520	7995562
	CA*F4961*6D*	G*VC961205DNA*	45,500	36,000	14.0	11.5	44,000	35,000	44,500	9.0	27,600	1,530	7995563
	CA*F4961*6D*	A*EH800805D*A*	45,500	36,000	14.0	11.5	44,000	35,000	44,500	9.0	27,600	1,500	7999191
	CA*F4961*6D*+EEP+TXV		45,000	35,600	14.0	11.5	43,500	34,800	45,000	9.0	27,600	1,555	7995549
	CA*F4961*6D*+MBVC1600**~1A*		45,500	36,000	14.5	12.0	44,000	35,000	44,500	9.0	27,600	1,500	7995550
	CA*F4961*6D*+MBVC1600**~1A*+TXV		45,500	36,000	15.0	12.5	44,000	35,000	44,500	9.0	27,600	1,500	7995551
	CA*F4961*6D*+MBVC2000**~1A*		46,000	36,400	14.5	12.0	44,500	35,400	44,500	9.0	27,600	1,570	7995552
	CA*F4961*6D*+MBVC2000**~1A*+TXV		46,000	36,400	15.0	12.5	44,500	35,400	44,500	9.0	27,600	1,570	7995553
	CA*F4961*6D*+TXV	A*EC961205DNA*	45,500	36,000	14.5	12.0	44,000	35,000	44,500	9.0	27,600	1,520	7995554
	CA*F4961*6D*+TXV	A*VC961205DNA*	45,500	36,000	14.5	12.0	44,000	35,000	44,500	9.0	27,600	1,530	7995555
	CA*F4961*6D*+TXV	G*E80805D*A*	45,500	36,000	14.5	12.0	44,000	35,000	44,500	9.0	27,600	1,500	7995556
	CA*F4961*6D*+TXV	G*EC961205DNA*	45,500	36,000	14.5	12.0	44,000	35,000	44,500	9.0	27,600	1,520	7995557
	CA*F4961*6D*+TXV	G*VC961205DNA*	45,500	36,000	14.5	12.0	44,000	35,000	44,500	9.0	27,600	1,530	7995558
	CA*F4961*6D*+TXV	A*EH800805D*A*	45,500	36,000	14.5	12.0	44,000	35,000	44,500	9.0	27,600	1,500	7999189
	CHPF4860D6D*	A*EC961205DNA*	45,000	35,600	14.0	11.5	43,500	34,800	44,500	9.0	27,600	1,520	7995574
	CHPF4860D6D*	A*VC961205DNA*	45,000	35,600	14.0	11.5	43,500	34,800	44,500	9.0	27,600	1,530	7995575
	CHPF4860D6D*	G*E80805D*A*	45,000	35,600	14.0	11.5	43,500	34,800	44,000	9.0	27,600	1,500	7995576
	CHPF4860D6D*	G*EC961205DNA*	45,000	35,600	14.0	11.5	43,500	34,800	44,500	9.0	27,600	1,520	7995577
	CHPF4860D6D*	G*VC961205DNA*	45,000	35,600	14.0	11.5	43,500	34,800	44,500	9.0	27,600	1,530	7995578
	CHPF4860D6D*	A*EH800805D*A*	45,000	35,600	14.0	11.5	43,500	34,800	44,000	9.0	27,600	1,500	7999194
	CHPF4860D6D*+EEP+TXV		45,000	35,600	14.0	11.5	43,500	34,800	44,500	9.0	27,600	1,555	7995564
	CHPF4860D6D*+MBVC1600**~1A*		45,000	35,600	14.5	12.0	43,500	34,800	44,000	9.0	27,600	1,500	7995565
	CHPF4860D6D*+MBVC1600**~1A*+TXV		45,000	35,600	15.0	12.5	43,500	34,800	44,000	9.0	27,600	1,500	7995566
	CHPF4860D6D*+MBVC2000**~1A*		45,500	36,000	14.5	12.0	44,000	35,000	44,000	9.0	27,600	1,570	7995567
	CHPF4860D6D*+MBVC2000**~1A*+TXV		45,500	36,000	15.0	12.5	44,000	35,000	44,000	9.0	27,600	1,570	7995568
	CHPF4860D6D*+TXV	A*EC961205DNA*	45,000	35,600	14.5	12.0	43,500	34,800	44,500	9.0	27,600	1,520	7995569
	CHPF4860D6D*+TXV	A*VC961205DNA*	45,000	35,600	14.5	12.0	43,500	34,800	44,500	9.0	27,600	1,530	7995570
	CHPF4860D6D*+TXV	G*E80805D*A*	45,000	35,600	14.5	12.0	43,500	34,800	44,000	9.0	27,600	1,500	7995571
	CHPF4860D6D*+TXV	G*EC961205DNA*	45,000	35,600	14.5	12.0	43,500	34,800	44,500	9.0	27,600	1,520	7995572
	CHPF4860D6D*+TXV	G*VC961205DNA*	45,000	35,600	14.5	12.0	43,500	34,800	44,500	9.0	27,600	1,530	7995573
	CHPF4860D6D*+TXV	A*EH800805D*A*	45,000	35,600	14.5	12.0	43,500	34,800	44,000	9.0	27,600	1,500	7999192
	CSCF4860N6D*	A*EC961205DNA*	45,000	35,600	14.0	11.5	43,500	34,800	44,000	9.0	27,600	1,520	7995589
	CSCF4860N6D*	A*VC961205DNA*	45,000	35,600	14.0	11.5	43,500	34,800	44,000	9.0	27,600	1,530	7995590
	CSCF4860N6D*	G*E80805D*A*	45,000	35,600	14.0	11.5	43,500	34,800	44,000	9.0	27,600	1,500	7995591
	CSCF4860N6D*	G*EC961205DNA*	45,000	35,600	14.0	11.5	43,500	34,800	44,000	9.0	27,600	1,520	7995592
	CSCF4860N6D*	G*VC961205DNA*	45,000	35,600	14.0	11.5	43,500	34,800	44,000	9.0	27,600	1,530	7995593
	CSCF4860N6D*	A*EH800805D*A*	45,000	35,600	14.0	11.5	43,500	34,800	44,000	9.0	27,600	1,500	7999197
	CSCF4860N6D*+EEP+TXV		45,000	35,600	14.0	11.5	43,500	34,800	45,000	9.0	27,600	1,555	7995579
	CSCF4860N6D*+MBVC1600**~1A*		45,000	35,600	14.0	11.5	43,500	34,800	44,000	9.0	27,600	1,500	7995580
	CSCF4860N6D*+MBVC1600**~1A*+TXV		45,000	35,600	15.0	12.0	43,500	34,800	44,000	9.0	27,600	1,500	7995581
	CSCF4860N6D*+MBVC2000**~1A*		45,500	36,000	14.0	12.0	44,000	35,000	44,000	9.0	27,600	1,570	7995582
	CSCF4860N6D*+MBVC2000**~1A*+TXV		45,500	36,000	15.0	12.5	44,000	35,000	44,000	9.0	27,600	1,570	7995583
CSCF4860N6D*+TXV	A*EC961205DNA*	45,000	35,600	14.5	12.0	43,500	34,800	44,000	9.0	27,600	1,520	7995584	
CSCF4860N6D*+TXV	A*VC961205DNA*	45,000	35,600	14.5	12.0	43,500	34,800	44,000	9.0	27,600	1,530	7995585	
CSCF4860N6D*+TXV	G*E80805D*A*	45,000	35,600	14.5	12.0	43,500	34,800	44,000	9.0	27,600	1,500	7995586	
CSCF4860N6D*+TXV	G*EC961205DNA*	45,000	35,600	14.5	12.0	43,500	34,800	44,000	9.0	27,600	1,520	7995587	
CSCF4860N6D*+TXV	G*VC961205DNA*	45,000	35,600	14.5	12.0	43,500	34,800	44,000	9.0	27,600	1,530	7995588	
CSCF4860N6D*+TXV	A*EH800805D*A*	45,000	35,600	14.5	12.0	43,500	34,800	44,000	9.0	27,600	1,500	7999196	

See Notes on Page 38.

OUTDOOR UNIT	INDOOR UNITS		COOLING RATINGS [^]				TVA RATINGS ³		HEATING RATINGS [^]			CFM	AHRI #
	COILS/AIR HANDLERS	FURNACES	TOTAL	SENS.	SEER ¹	EER ²	TOTAL	SENS.	HI ⁴	HSPF ⁵	LOW ⁶		
GSZ14 0491K*	ARUF49C14A*+TXV		44,500	33,400	14.0	11.5	43,000	32,600	46,000	8.5	27,600	1,400	7995030
	ARUF61D14A*		44,500	33,400	14.0	12.0	43,000	32,600	47,000	8.5	28,000	1,450	7995031
	ASPT48D14A*		45,500	34,200	14.5	12.0	44,000	33,400	46,000	8.5	28,000	1,475	8197099
	AVPTC48D14A*		45,000	33,800	14.5	12.0	43,500	33,000	47,000	8.5	28,000	1,540	7995594
	CA*F4961*6D*	A*EC961004CNA*	45,500	34,200	14.0	12.0	44,000	33,400	47,500	8.5	28,000	1,585	7995611
	CA*F4961*6D*	A*EH800805C*A*	45,500	34,200	14.0	12.0	44,000	33,400	47,000	8.5	28,000	1,515	7995612
	CA*F4961*6D*	A*EH801005C*A*	45,500	34,200	14.0	12.0	44,000	33,400	47,500	8.5	28,000	1,575	7995613
	CA*F4961*6D*	A*VC960804CNA*	45,500	34,200	14.5	12.0	44,000	33,400	47,000	8.5	28,000	1,525	7995614
	CA*F4961*6D*	A*VC961205DNA*	45,500	34,200	14.0	12.0	44,000	33,400	47,500	8.5	28,000	1,525	7995615
	CA*F4961*6D*	G*E80805C*B*	45,500	34,200	14.0	12.0	44,000	33,400	47,000	8.5	28,000	1,515	7995616
	CA*F4961*6D*	G*E80805D*A*	45,500	34,200	14.5	12.0	44,000	33,400	47,000	8.5	28,000	1,480	7995617
	CA*F4961*6D*	G*E81005C*B*	45,500	34,200	14.0	12.0	44,000	33,400	47,500	8.5	28,000	1,575	7995618
	CA*F4961*6D*	G*EC961004CNA*	45,500	34,200	14.0	12.0	44,000	33,400	47,500	8.5	28,000	1,585	7995619
	CA*F4961*6D*	G*VC960804CNA*	45,500	34,200	14.5	12.0	44,000	33,400	47,000	8.5	28,000	1,525	7995620
	CA*F4961*6D*	G*VC961205DNA*	45,500	34,200	14.0	12.0	44,000	33,400	47,500	8.5	28,000	1,525	7995621
	CA*F4961*6D*	A*EC961205DNA*	45,500	34,200	14.5	12.0	44,000	33,400	47,000	8.5	28,000	1,475	7996473
	CA*F4961*6D*	A*VC80805C*B*	45,500	34,200	14.0	12.0	44,000	33,400	47,500	8.5	28,000	1,510	7996474
	CA*F4961*6D*	A*VC81005C*B*	45,500	34,200	14.0	12.0	44,000	33,400	47,500	8.5	28,000	1,520	7996475
	CA*F4961*6D*	A*VC961005CNA*	45,500	34,200	14.0	12.0	44,000	33,400	47,500	8.5	28,000	1,520	7996476
	CA*F4961*6D*	G*EC961205DNA*	45,500	34,200	14.5	12.0	44,000	33,400	47,000	8.5	28,000	1,475	7996477
	CA*F4961*6D*	G*VC80805C*B*	45,500	34,200	14.0	12.0	44,000	33,400	47,500	8.5	28,000	1,510	7996478
	CA*F4961*6D*	G*VC81005C*B*	45,500	34,200	14.0	12.0	44,000	33,400	47,500	8.5	28,000	1,520	7996479
	CA*F4961*6D*	G*VC961005CNA*	45,500	34,200	14.0	12.0	44,000	33,400	47,500	8.5	28,000	1,520	7996480
	CA*F4961*6D*	A*EH800805D*A*	45,500	34,200	14.5	12.0	44,000	33,400	47,000	8.5	28,000	1,480	7999200
	CA*F4961*6D*+EEP+TXV		45,000	33,800	14.0	11.5	43,500	33,000	47,500	8.5	28,600	1,600	7995595
	CA*F4961*6D*+MBVC1600*-1A*		45,500	34,200	14.5	12.0	44,000	33,400	47,000	8.5	28,000	1,500	7995596
	CA*F4961*6D*+MBVC1600*-1A*+TXV		45,500	34,200	15.0	12.2	44,000	33,400	47,000	8.5	28,000	1,500	7995597
	CA*F4961*6D*+MBVC2000*-1A*		45,500	34,200	14.5	12.2	44,000	33,400	47,000	9.0	28,000	1,570	7995598
	CA*F4961*6D*+MBVC2000*-1A*+TXV		45,500	34,200	15.0	12.5	44,000	33,400	47,000	9.0	28,000	1,570	7995599
	CA*F4961*6D*+TXV	A*EC961004CNA*	45,500	34,200	14.5	12.2	44,000	33,400	47,500	8.5	28,000	1,585	7995600
	CA*F4961*6D*+TXV	A*EH800805C*A*	45,500	34,200	14.5	12.5	44,000	33,400	47,000	8.5	28,000	1,480	7995601
	CA*F4961*6D*+TXV	A*EH801005C*A*	45,500	34,200	14.5	12.2	44,000	33,400	47,500	8.5	28,000	1,575	7995602
	CA*F4961*6D*+TXV	A*VC960804CNA*	45,500	34,200	15.0	12.5	44,000	33,400	47,000	8.5	28,000	1,525	7995603
	CA*F4961*6D*+TXV	A*VC961205DNA*	45,500	34,200	14.5	12.2	44,000	33,400	47,500	8.5	28,000	1,525	7995604
	CA*F4961*6D*+TXV	G*E80805C*B*	45,500	34,200	14.5	12.5	44,000	33,400	47,000	8.5	28,000	1,480	7995605
	CA*F4961*6D*+TXV	G*E80805D*A*	45,500	34,200	15.0	12.5	44,000	33,400	47,000	8.5	28,000	1,480	7995606
	CA*F4961*6D*+TXV	G*E81005C*B*	45,500	34,200	14.5	12.2	44,000	33,400	47,500	8.5	28,000	1,575	7995607
	CA*F4961*6D*+TXV	G*EC961004CNA*	45,500	34,200	14.5	12.2	44,000	33,400	47,500	8.5	28,000	1,585	7995608
	CA*F4961*6D*+TXV	G*VC960804CNA*	45,500	34,200	15.0	12.5	44,000	33,400	47,000	8.5	28,000	1,525	7995609
	CA*F4961*6D*+TXV	G*VC961205DNA*	45,500	34,200	14.5	12.2	44,000	33,400	47,500	8.5	28,000	1,525	7995610
	CA*F4961*6D*+TXV	A*EC961205DNA*	45,500	34,200	15.0	12.5	44,000	33,400	47,000	8.5	28,000	1,475	7996465
	CA*F4961*6D*+TXV	A*VC80805C*B*	45,500	34,200	14.5	12.2	44,000	33,400	47,500	8.5	28,000	1,510	7996466
	CA*F4961*6D*+TXV	A*VC81005C*B*	45,500	34,200	14.5	12.2	44,000	33,400	47,500	8.5	28,000	1,520	7996467
	CA*F4961*6D*+TXV	A*VC961005CNA*	45,500	34,200	14.5	12.0	44,000	33,400	47,500	8.5	28,000	1,520	7996468
	CA*F4961*6D*+TXV	G*EC961205DNA*	45,500	34,200	15.0	12.5	44,000	33,400	47,000	8.5	28,000	1,475	7996469
	CA*F4961*6D*+TXV	G*VC80805C*B*	45,500	34,200	14.5	12.2	44,000	33,400	47,500	8.5	28,000	1,510	7996470
	CA*F4961*6D*+TXV	G*VC81005C*B*	45,500	34,200	14.5	12.2	44,000	33,400	47,500	8.5	28,000	1,520	7996471
	CA*F4961*6D*+TXV	G*VC961005CNA*	45,500	34,200	14.5	12.0	44,000	33,400	47,500	8.5	28,000	1,520	7996472
	CA*F4961*6D*+TXV	A*EH800805D*A*	45,500	34,200	15.0	12.5	44,000	33,400	47,000	8.5	28,000	1,480	7999199
	CHPF4860D6D*	A*EC961205DNA*	45,000	33,800	14.0	11.5	43,500	33,000	47,000	8.5	28,000	1,520	7995632
CHPF4860D6D*	A*VC961205DNA*	45,500	34,200	14.0	12.0	44,000	33,400	47,000	8.5	28,000	1,525	7995633	
CHPF4860D6D*	G*E80805D*A*	45,000	33,800	14.0	11.5	43,500	33,000	47,000	8.5	28,000	1,490	7995634	
CHPF4860D6D*	G*EC961205DNA*	45,000	33,800	14.0	11.5	43,500	33,000	47,000	8.5	28,000	1,520	7995635	
CHPF4860D6D*	G*VC961205DNA*	45,500	34,200	14.0	12.0	44,000	33,400	47,000	8.5	28,000	1,525	7995636	
CHPF4860D6D*	A*EH800805D*A*	45,000	33,800	14.0	11.5	43,500	33,000	47,000	8.5	28,000	1,490	7999203	
CHPF4860D6D*+EEP+TXV		45,000	33,800	14.0	11.5	43,500	33,000	47,000	8.5	28,600	1,600	7995622	

See Notes on Page 38.

OUTDOOR UNIT	INDOOR UNITS		COOLING RATINGS [^]				TVA RATINGS ³		HEATING RATINGS [^]			CFM	AHRI #
	COILS/AIR HANDLERS	FURNACES	TOTAL	SENS.	SEER ¹	EER ²	TOTAL	SENS.	HI ⁴	HSPF ⁵	LOW ⁶		
GSZ14 0491K* (cont.)	CHPF4860D6D*+MBVC1600**-1A*		45,500	34,200	14.5	11.5	44,000	33,400	47,000	8.5	28,000	1,500	7995623
	CHPF4860D6D*+MBVC1600**-1A*+TXV		45,500	34,200	15.0	12.0	44,000	33,400	47,000	8.5	28,000	1,500	7995624
	CHPF4860D6D*+MBVC2000**-1A*		45,500	34,200	14.5	12.0	44,000	33,400	47,000	9.0	28,000	1,570	7995625
	CHPF4860D6D*+MBVC2000**-1A*+TXV		45,500	34,200	15.0	12.5	44,000	33,400	47,000	9.0	28,000	1,570	7995626
	CHPF4860D6D*+TXV	A*EC961205DNA*	45,000	33,800	14.5	12.0	43,500	33,000	47,000	8.5	28,000	1,520	7995627
	CHPF4860D6D*+TXV	A*VC961205DNA*	45,500	34,200	14.5	12.2	44,000	33,400	47,000	8.5	28,000	1,525	7995628
	CHPF4860D6D*+TXV	G*E80805D*A*	45,000	33,800	14.5	12.0	43,500	33,000	47,000	8.5	28,000	1,490	7995629
	CHPF4860D6D*+TXV	G*EC961205DNA*	45,000	33,800	14.5	12.0	43,500	33,000	47,000	8.5	28,000	1,520	7995630
	CHPF4860D6D*+TXV	G*VC961205DNA*	45,500	34,200	14.5	12.2	44,000	33,400	47,000	8.5	28,000	1,525	7995631
	CHPF4860D6D*+TXV	A*EH800805D*A*	45,000	33,800	14.5	12.0	43,500	33,000	47,000	8.5	28,000	1,490	7999202
	CSCF4860N6D*	A*EC961004CNA*	45,500	34,200	14.0	11.5	44,000	33,400	47,500	8.5	28,000	1,585	7995661
	CSCF4860N6D*	A*EC961205DNA*	45,000	33,800	14.0	11.5	43,500	33,000	47,000	8.5	28,000	1,520	7995662
	CSCF4860N6D*	A*EH800805C*A*	45,000	33,800	14.0	11.5	43,500	33,000	47,000	8.5	28,000	1,480	7995663
	CSCF4860N6D*	A*EH801005C*A*	45,500	34,200	14.0	11.5	44,000	33,400	47,500	8.5	28,000	1,575	7995664
	CSCF4860N6D*	A*VC80805C*B*	45,500	34,200	14.0	11.5	44,000	33,400	47,500	8.5	28,000	1,590	7995665
	CSCF4860N6D*	A*VC81005C*B*	45,500	34,200	14.0	11.5	44,000	33,400	47,500	8.5	28,000	1,610	7995666
	CSCF4860N6D*	A*VC960804CNA*	45,000	33,800	14.0	11.5	43,500	33,000	47,000	8.5	28,000	1,525	7995667
	CSCF4860N6D*	A*VC961005CNA*	45,500	34,200	14.0	11.5	44,000	33,400	47,500	8.5	28,000	1,610	7995668
	CSCF4860N6D*	A*VC961205DNA*	45,500	34,200	14.0	12.0	44,000	33,400	47,500	8.5	28,000	1,525	7995669
	CSCF4860N6D*	G*E80805C*B*	45,000	33,800	14.0	11.5	43,500	33,000	47,000	8.5	28,000	1,480	7995670
	CSCF4860N6D*	G*E80805D*A*	45,000	33,800	14.0	11.5	43,500	33,000	47,000	8.5	28,000	1,490	7995671
	CSCF4860N6D*	G*E81005C*B*	45,500	34,200	14.0	11.5	44,000	33,400	47,500	8.5	28,000	1,575	7995672
	CSCF4860N6D*	G*EC961004CNA*	45,500	34,200	14.0	11.5	44,000	33,400	47,500	8.5	28,000	1,585	7995673
	CSCF4860N6D*	G*EC961205DNA*	45,000	33,800	14.0	11.5	43,500	33,000	47,000	8.5	28,000	1,520	7995674
	CSCF4860N6D*	G*VC80805C*B*	45,500	34,200	14.0	11.5	44,000	33,400	47,500	8.5	28,000	1,590	7995675
	CSCF4860N6D*	G*VC81005C*B*	45,500	34,200	14.0	11.5	44,000	33,400	47,500	8.5	28,000	1,610	7995676
	CSCF4860N6D*	G*VC960804CNA*	45,000	33,800	14.0	11.5	43,500	33,000	47,000	8.5	28,000	1,525	7995677
	CSCF4860N6D*	G*VC961005CNA*	45,500	34,200	14.0	11.5	44,000	33,400	47,500	8.5	28,000	1,610	7995678
	CSCF4860N6D*	G*VC961205DNA*	45,500	34,200	14.0	12.0	44,000	33,400	47,500	8.5	28,000	1,525	7995679
	CSCF4860N6D*	A*EH800805D*A*	45,000	33,800	14.0	11.5	43,500	33,000	47,000	8.5	28,000	1,490	7999207
	CSCF4860N6D*+EEP+TXV		45,000	33,800	14.0	11.5	43,500	33,000	47,500	8.5	28,600	1,600	7995637
	CSCF4860N6D*+MBVC1600**-1A*		45,000	33,800	14.5	11.5	43,500	33,000	47,000	8.5	28,000	1,500	7995638
	CSCF4860N6D*+MBVC1600**-1A*+TXV		45,000	33,800	15.0	12.0	43,500	33,000	47,000	8.5	28,000	1,500	7995639
	CSCF4860N6D*+MBVC2000**-1A*		45,500	34,200	14.5	12.0	44,000	33,400	47,000	9.0	28,000	1,570	7995640
	CSCF4860N6D*+MBVC2000**-1A*+TXV		45,500	34,200	15.0	12.5	44,000	33,400	47,000	9.0	28,000	1,570	7995641
	CSCF4860N6D*+TXV	A*EC961004CNA*	45,500	34,200	14.5	12.0	44,000	33,400	47,500	8.5	28,000	1,585	7995642
	CSCF4860N6D*+TXV	A*EC961205DNA*	45,000	33,800	14.5	12.0	43,500	33,000	47,000	8.5	28,000	1,520	7995643
	CSCF4860N6D*+TXV	A*EH800805C*A*	45,000	33,800	14.5	12.0	43,500	33,000	47,000	8.5	28,000	1,480	7995644
	CSCF4860N6D*+TXV	A*EH801005C*A*	45,500	34,200	14.5	12.0	44,000	33,400	47,500	8.5	28,000	1,575	7995645
	CSCF4860N6D*+TXV	A*VC80805C*B*	45,500	34,200	14.5	12.0	44,000	33,400	47,500	8.5	28,000	1,590	7995646
	CSCF4860N6D*+TXV	A*VC81005C*B*	45,500	34,200	14.5	12.0	44,000	33,400	47,500	8.5	28,000	1,610	7995647
	CSCF4860N6D*+TXV	A*VC960804CNA*	45,000	33,800	14.5	12.0	43,500	33,000	47,000	8.5	28,000	1,525	7995648
CSCF4860N6D*+TXV	A*VC961005CNA*	45,500	34,200	14.5	12.0	44,000	33,400	47,500	8.5	28,000	1,610	7995649	
CSCF4860N6D*+TXV	A*VC961205DNA*	45,500	34,200	14.5	12.2	44,000	33,400	47,500	8.5	28,000	1,525	7995650	
CSCF4860N6D*+TXV	G*E80805C*B*	45,000	33,800	14.5	12.0	43,500	33,000	47,000	8.5	28,000	1,480	7995651	
CSCF4860N6D*+TXV	G*E80805D*A*	45,000	33,800	14.5	12.0	43,500	33,000	47,000	8.5	28,000	1,490	7995652	
CSCF4860N6D*+TXV	G*E81005C*B*	45,500	34,200	14.5	12.0	44,000	33,400	47,500	8.5	28,000	1,575	7995653	
CSCF4860N6D*+TXV	G*EC961004CNA*	45,500	34,200	14.5	12.0	44,000	33,400	47,500	8.5	28,000	1,585	7995654	
CSCF4860N6D*+TXV	G*EC961205DNA*	45,000	33,800	14.5	12.0	43,500	33,000	47,000	8.5	28,000	1,520	7995655	
CSCF4860N6D*+TXV	G*VC80805C*B*	45,500	34,200	14.5	12.0	44,000	33,400	47,500	8.5	28,000	1,590	7995656	
CSCF4860N6D*+TXV	G*VC81005C*B*	45,500	34,200	14.5	12.0	44,000	33,400	47,500	8.5	28,000	1,610	7995657	
CSCF4860N6D*+TXV	G*VC960804CNA*	45,000	33,800	14.5	12.0	43,500	33,000	47,000	8.5	28,000	1,525	7995658	
CSCF4860N6D*+TXV	G*VC961005CNA*	45,500	34,200	14.5	12.0	44,000	33,400	47,500	8.5	28,000	1,610	7995659	
CSCF4860N6D*+TXV	G*VC961205DNA*	45,500	34,200	14.5	12.2	44,000	33,400	47,500	8.5	28,000	1,525	7995660	
CSCF4860N6D*+TXV	A*EH800805D*A*	45,000	33,800	14.5	12.0	43,500	33,000	47,000	8.5	28,000	1,490	7999205	

See Notes on Page 38.

OUTDOOR UNIT	INDOOR UNITS		COOLING RATINGS [^]				TVA RATINGS ³		HEATING RATINGS [^]			CFM	AHRI #
	COILS/AIR HANDLERS	FURNACES	TOTAL	SENS.	SEER ¹	EER ²	TOTAL	SENS.	HI ⁴	HSPF ⁵	LOW ⁶		
GSZ14 0601K*	ASPT61D14A*		56,500	43,000	14.0	11.5	54,500	42,000	59,000	8.5	36,000	1,800	7995680
	AVPTC60D14A*		56,000	42,500	14.0	11.5	54,000	41,500	59,000	8.5	36,000	1,745	7995032
	CA*F4961*6D*+EEP+TXV		55,500	42,000	14.0	11.5	53,500	41,000	59,000	8.5	36,600	1,600	7995681
	CA*F4961*6D*+MBVC2000**-1A*		57,000	43,500	14.0	11.5	55,000	42,500	59,000	9.0	36,600	1,770	7995682
	CA*F4961*6D*+MBVC2000**-1A*+TXV		57,000	43,500	14.5	12.0	55,000	42,500	59,000	9.0	36,600	1,770	7995683
	CA*F4961*6D*+TXV	A*EC961205DNA*	56,000	42,500	14.0	11.5	54,000	41,500	58,000	8.5	36,000	1,600	7995684
	CA*F4961*6D*+TXV	A*VC961205DNA*	56,000	42,500	14.0	11.5	54,000	41,500	58,000	8.5	36,000	1,600	7995685
	CA*F4961*6D*+TXV	G*E80805D*A*	56,000	42,500	14.0	11.5	54,000	41,500	59,000	8.5	36,600	1,700	7995686
	CA*F4961*6D*+TXV	G*EC961205DNA*	56,000	42,500	14.0	11.5	54,000	41,500	58,000	8.5	36,000	1,600	7995687
	CA*F4961*6D*+TXV	G*VC961205DNA*	56,000	42,500	14.0	11.5	54,000	41,500	58,000	8.5	36,000	1,600	7995688
	CA*F4961*6D*+TXV	A*EH800805D*A*	56,000	42,500	14.0	11.5	54,000	41,500	59,000	8.5	36,600	1,700	7999208
	CHPF4860D6D*+EEP+TXV		55,000	42,000	14.0	11.5	53,000	41,000	57,000	8.5	36,600	1,600	7995689
	CHPF4860D6D*+MBVC2000**-1A*		57,000	43,500	14.0	11.5	55,000	42,500	59,000	9.0	36,000	1,770	7995690
	CHPF4860D6D*+MBVC2000**-1A*+TXV		57,000	43,500	14.5	12.0	55,000	42,500	59,000	9.0	36,000	1,770	7995691
	CHPF4860D6D*+TXV	A*EC961205DNA*	56,000	42,500	14.0	11.5	54,000	41,500	59,000	8.5	36,000	1,600	7995692
	CHPF4860D6D*+TXV	A*VC961205DNA*	56,000	42,500	14.0	11.5	54,000	41,500	58,000	8.5	36,600	1,600	7995693
	CHPF4860D6D*+TXV	G*E80805D*A*	56,000	42,500	14.0	11.5	54,000	41,500	59,000	8.5	37,000	1,700	7995694
	CHPF4860D6D*+TXV	G*EC961205DNA*	56,000	42,500	14.0	11.5	54,000	41,500	59,000	8.5	36,000	1,600	7995695
	CHPF4860D6D*+TXV	G*VC961205DNA*	56,000	42,500	14.0	11.5	54,000	41,500	58,000	8.5	36,600	1,600	7995696
	CHPF4860D6D*+TXV	A*EH800805D*A*	56,000	42,500	14.0	11.5	54,000	41,500	59,000	8.5	37,000	1,700	7999210
	CSCF4860N6D*+MBVC2000**-1A*		57,000	43,500	14.0	11.5	55,000	42,500	59,000	9.0	36,000	1,770	7995697
	CSCF4860N6D*+MBVC2000**-1A*+TXV		57,000	43,500	14.0	12.0	55,000	42,500	59,000	9.0	36,000	1,770	7995698
	CSCF4860N6D*+TXV	A*EC961205DNA*	56,000	42,500	14.0	11.5	54,000	41,500	59,000	8.5	36,000	1,600	7995699
	CSCF4860N6D*+TXV	A*VC961205DNA*	56,000	42,500	14.0	11.5	54,000	41,500	58,000	8.5	36,000	1,600	7995700
	CSCF4860N6D*+TXV	G*E80805D*A*	56,000	42,500	14.0	11.5	54,000	41,500	59,000	8.5	36,000	1,700	7995701
	CSCF4860N6D*+TXV	G*EC961205DNA*	56,000	42,500	14.0	11.5	54,000	41,500	59,000	8.5	36,000	1,600	7995702
	CSCF4860N6D*+TXV	G*VC961205DNA*	56,000	42,500	14.0	11.5	54,000	41,500	58,000	8.5	36,000	1,600	7995703
	CSCF4860N6D*+TXV	A*EH800805D*A*	56,000	42,500	14.0	11.5	54,000	41,500	59,000	8.5	36,000	1,700	7999211

[^] Rated in accordance with ANSI/AHRI Standard 210/240

¹ Seasonal Energy Efficiency Ratio

³ TVA Rating: BTU/h @ 75°F/ 63°F - 95°F

⁵ HSPF = Heating Seasonal Performance Factor

⁷ CFM at High stage

² Energy Efficiency Ratio @ 80°F/ 67°F/ 95°F

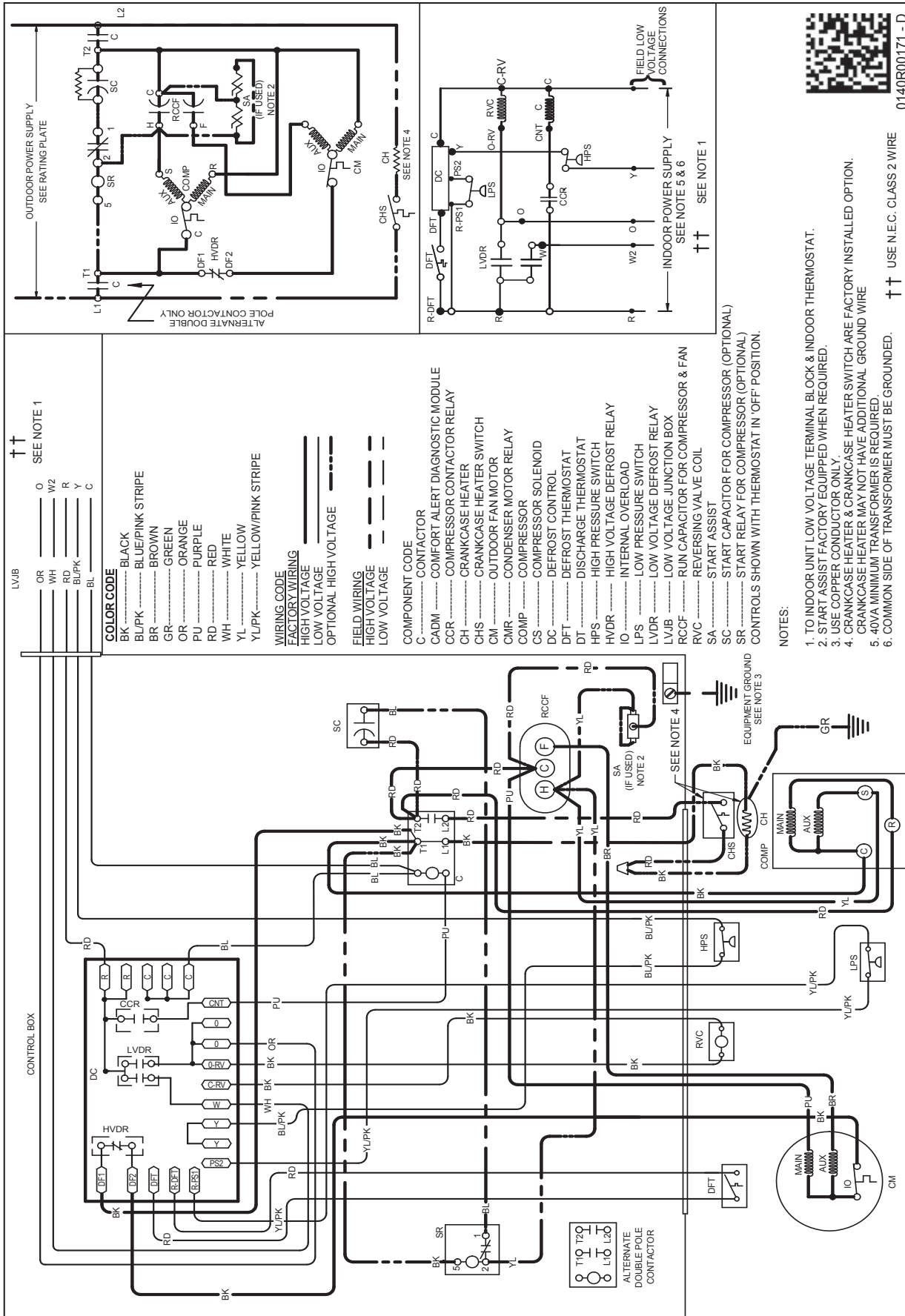
⁴ Rated heating capacity at 47°F outdoor per AHRI 210/240

⁶ Heating capacity at 17°F outdoor

⁸ CFM at Intermediate and low stage

NOTES

- Always check the S&R plate for electrical data on the unit being installed.
- When matching outdoor unit to indoor unit, use the piston supplied with the outdoor unit or that specified on the piston kit chart supplied with the indoor unit.
- EEP - Order from Service Dept. Part No. B13707-38 or new Solid State Board B13707-35S. Part No. B13707-38 is not interchangeable with B13707-35S. The Goodman brand gas furnace contains the EEP cooling time delay.



0140R00171 - D

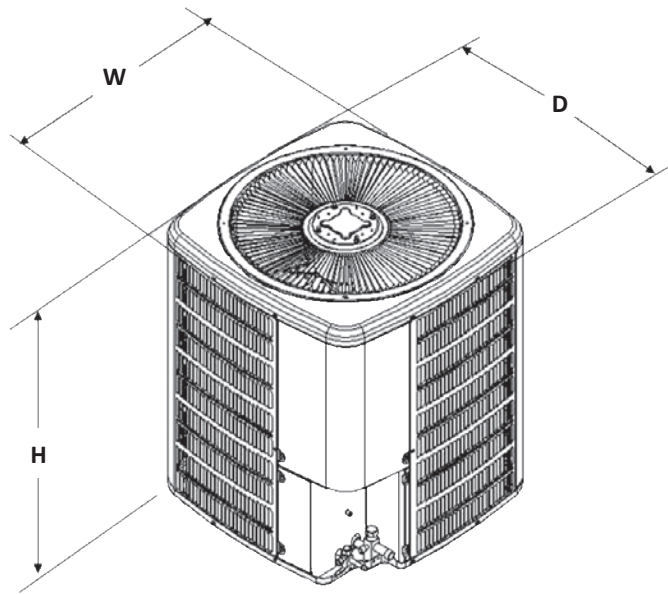
Wiring is subject to change. Always refer to the wiring diagram or the unit for the most up-to-date wiring.



WARNING

High Voltage: Disconnect all power before servicing or installing this unit. Multiple power sources may be present. Failure to do so may cause property damage, personal injury, or death.

DIMENSIONS



MODEL	DIMENSIONS		
	W"	D"	H"
GSZ140181K*	29	29	34½
GSZ140241K*	29	29	34½
GSZ140301K*	29	29	36¼
GSZ140361K*	29	29	36¼
GSZ140421K*	35½	35½	39¼
GSZ140481K*	29	29	36¼
GSZ140491K*	35½	35½	34¼
GSZ140601K*	35½	35½	34¼

ACCESSORIES

MODEL #	DESCRIPTION	GSZ14 018	GSZ14 024	GSZ14 030	GSZ14 036	GSZ14 042	GSZ14 048/049	GSZ14 060
ABK-20	Anchor Bracket Kit ⁰	X	X	X	X	X	X	X
ASC-01	Anti-Short Cycle Kit	X	X	X	X	X	X	X
AFE18-60A	All-fuel Kit	X	X	X	X	X	X	X
OT/EHR18-60	Emergency Heat Relay kit	X	X	X	X	X	X	X
FSK01A ¹	Freeze Protection Kit	X	X	X	X	X	X	X
CSR-U-1	Hard-start Kit	X	X	X	X	X	X	X
LAKT01A	Low-Ambient Kit	X	X	X	X	X	X	X
O130R00000S	Low-Pressure Switch Kit	X	X	X	X	X	X	X
OT18-60A ²	Outdoor Thermostat	X	X	X	X	X	X	X
TX2N4A ³	TXV Kit	X	X					
TX3N4 ³	TXV Kit			X	X			
TX5N4 ³	TXV Kit					X	X	X

⁰ Contains 20 brackets; four brackets needed to anchor unit to pad

¹ Installed on indoor coil

² Required for heat pump applications where ambient temperatures fall below 0°F with 50% or higher relative humidity.

³ Condensing units and heat pumps with reciprocating compressors require the use of start-assist components when used in conjunction with an indoor coil using a non-bleed thermal expansion valve refrigerant metering device or liquid line solenoid kit. The TXV should always be sized based on the tonnage of the outdoor unit.