

WHOLE-HOUSE HIGH EFFICIENCY MEDIA AIR CLEANERS



Description

- The Electro-Air High Efficiency Media Air Cleaner has been designed to remove atmospheric and household dust, coal dust, insecticide dust, mites, pollen, mold spores, fungi, bacteria, pet dander, cooking smoke and grease, tobacco smoke particles, and more down to 0.3 micron (1/84,000 of an inch).
- Ideal for homes with allergy, asthma or respiratory sufferers, smokers, pets and mustiness.
- Helps protect and prolong the operating efficiency of the heating and cooling equipment.

Standard Features

- High Efficiency MERV* 11 Media Filter, rated at 492 feet/minute, removes airborne contaminants down to 0.3 micron.
- Filter material is constructed of continuous hydrophobic polyolefin fibers that will not shred or absorb moisture. They are cellulose free and will not sustain mold growth.
- Unique filter design features a structured density gradient with an electret charge for higher initial and sustained efficiency over the life of the filter.
- Extra deep, 5 1/4 inch filter, contains more media material than other filters on the market. More surface area means more collection area, longer filter life and lower static pressure.
- Perfect fit filter has an exact fit with the cabinet. Does not contain foam, sponge or fiberglass filler. Means all the air is passing through the filter and not through filler material, thereby maximizing the system's ability to clean the air.
- User-friendly, easy-to-change filter cartridge means no fussing with complicated combs or brackets.

- Filter lasts up to one year in standard applications.
- Reversible air flow. Mounts in any position.
- Easy to replace with an Electro-Air High Efficiency Electronic Air Cleaner, which is capable of removing harmful contaminants as small as 0.01 micron (1/2,540,000 of an inch). For the most powerful air cleaning system available, add an Electro-Air True HEPA Air Cleaner to the Electro-Air Media or Electronic Air Cleaner.

Cabinet Construction Features

- Heavy gauge galvanized steel cabinet resists corrosion and provides trouble-free vertical or horizontal installation. Holes are provided to facilitate mounting to the duct work or air handling system.
- Durable powder coat paint finish on door resists corrosion.

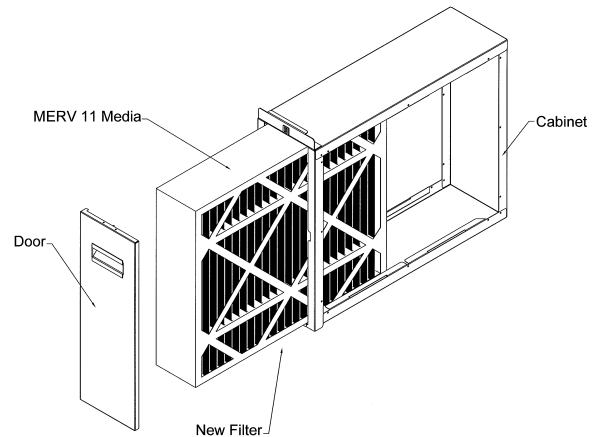
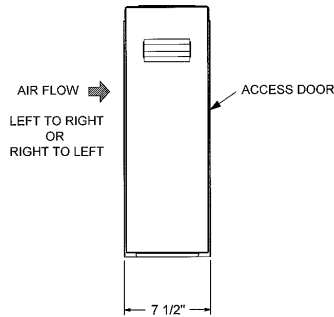
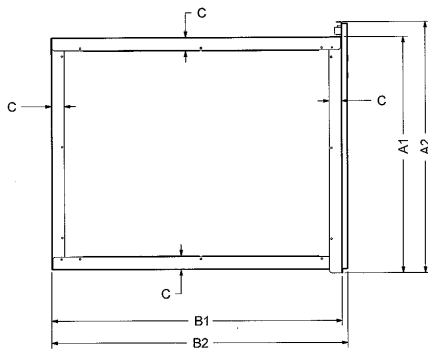
Media Replacement Filters

- Replacement filters are packaged 3 per box. Replace 1 to 2 times per year depending on climate, home renovations, smoking in home, or number of pets. For Models:
EANC1620-A replace with #M0-1056 (MERV 11)
EANC1625-A replace with #M1-1056 (MERV 11) or G1-1056 (MERV 14) upgrade
EANC2020-A replace with #M2-1056 (MERV 11)
EANC2025-A replace with #M8-1056 (MERV 11) or G8-1056 (MERV 14) upgrade

* MERV: Minimum Efficiency Reporting Value. Based on ASHRAE Standard 52.2.

SPECIFICATIONS

MODEL	EANC1620-A	EANC1625-A	EANC2020-A	EANC2025-A
Power Consumption	0	0	0	0
House Size	<2400 ft ² <222.96 m ²	<3000 ft ² <278.7 m ²	<3000 ft ² <278.7 m ²	>3000 ft ² >278.7 m ²
Air Flow	up to 1200 CFM up to 2038 m ³ /hr	up to 1400 CFM up to 2379 m ³ /hr	up to 1400 CFM up to 2379 m ³ /hr	up to 2000 CFM up to 3398 m ³ /hr
Duct Size	16 x 20 in 40.5 x 51 cm	16 x 25 in 40.6 x 63.5 cm	20 x 20 in 51 x 51 cm	20 x 25 in 51 x 63.5 cm
Intake Dimensions H x L	13.25 x 20.75 in 33.7 x 52.7 cm	13.25 x 23.7 in 33.7 x 60.2 cm	18.1 x 18.75 in 46 x 47.6 cm	18.1 x 23.25 in 46 x 59.1 cm
Cabinet Dimensions W x H x L	7.5 x 17.4 x 23.6 in 19.1 x 44.2 x 60 cm	7.5 x 17.4 x 26.5 in 19.1 x 44.2 x 67.3 cm	7.5 x 22.25 x 21.7 in 19.1 x 56.5 x 55.1 cm	7.5 x 22.25 x 26.1 in 19.1 x 56.5 x 66.3 cm
Weight	17 lb 7.7 kg	18 lb 8.2 kg	19 lb 8.6 kg	20 lb 9.1 kg
Pressure Drop	.064 (in./wg) @ 246 fpm .209 (in./wg) @ 492 fpm	.066 (in./wg) @ 246 fpm .217 (in./wg) @ 492 fpm	.062 (in./wg) @ 246 fpm .203 (in./wg) @ 492 fpm	.069 (in./wg) @ 246 fpm .207 (in./wg) @ 492 fpm
MERV Rating	11	11	11	11



MODEL	DIMENSIONS in (cm)						
	A1	A2	B1	B2	C	D	E
EANC1620-A	16 (40.6)	17.4 (44.2)	23.1 (58.7)	23.6 (60)	1.2 (3)	20.75 (52.7)	13.25 (33.7)
EANC1625-A	16 (40.6)	17.4 (44.2)	26 (66)	26.5 (67.3)	1.2 (3)	23.7 (60.2)	13.25 (33.7)
EANC2020-A	20.75 (52.7)	22.25 (56.5)	21.2 (53.8)	21.7 (55.1)	1.2 (3)	18.75 (47.6)	18.1 (46)
EANC2025-A	20.75 (52.7)	22.25 (56.5)	25.6 (65)	26.1 (66.3)	1.2 (3)	23.25 (59.1)	18.1 (46)

Manufacturer reserves the right to discontinue or change at any time, specifications or designs without notice or without incurring obligations. Performance of the Air Cleaners will depend on house plan design, duct design and heating/cooling equipment.



PROUDLY MADE IN CANADA

ELECTRO-AIR CANADA

351 North Rivermede Road, Concord, Ontario, Canada L4K 3N2

Tel: (416) 213-5636 Fax: (416) 213-5593

Toll Free North America: 1-800-267-8305

Email: info@fiveseasonsaircleaners.com

Web: www.fiveseasonsaircleaners.com